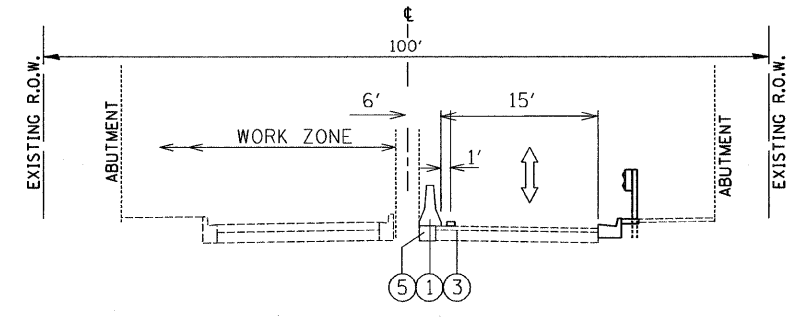
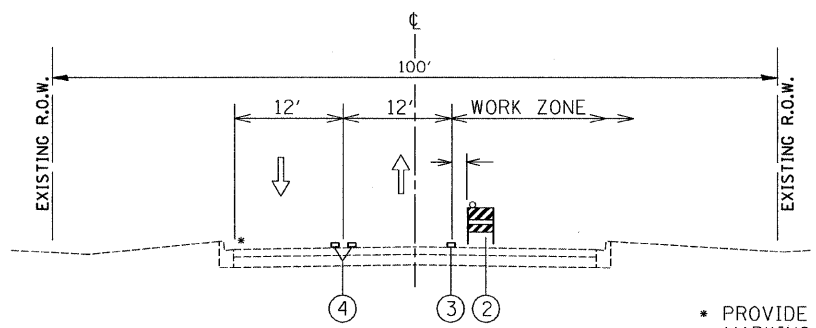


STAGE 1 TYPICAL SECTION
STA. 64+94 TO STA. 68+27

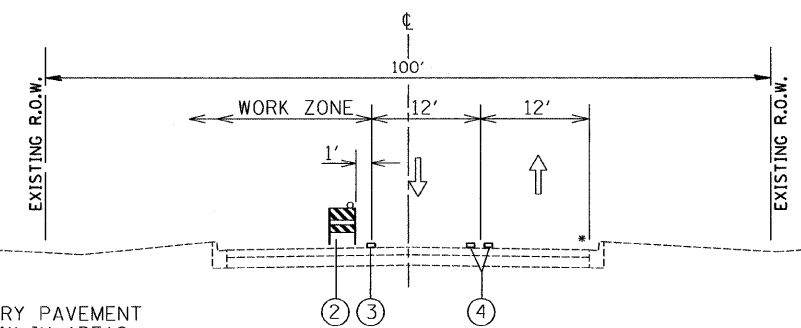


STAGE 2 TYPICAL SECTION
STA. 64+94 TO STA. 68+27

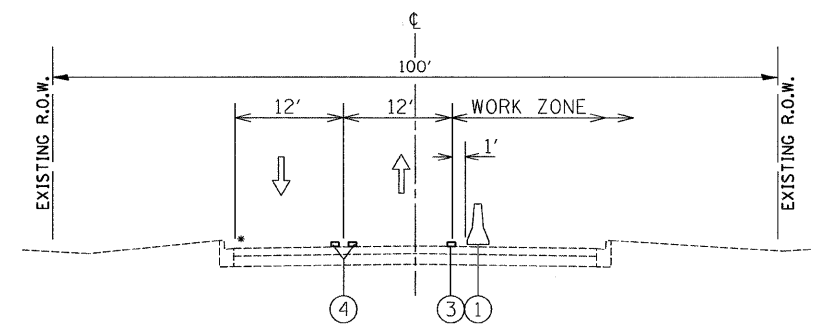


STAGE 1 TYPICAL SECTION
STA. 69+77 TO STA. 87+00

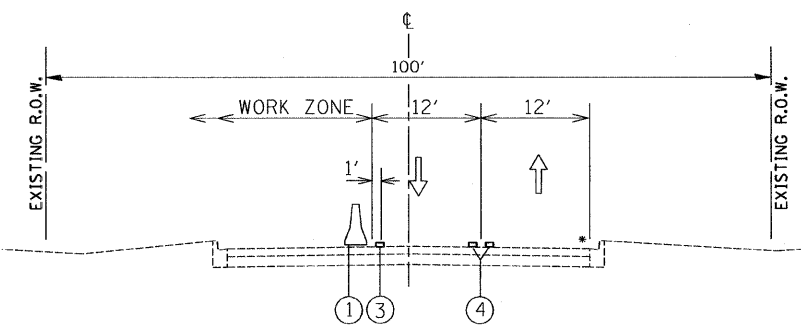
* PROVIDE TEMPORARY PAVEMENT MARKING - LINE 4" IN AREAS WITHOUT CURB & GUTTER.



STAGE 2 TYPICAL SECTION
STA. 69+77 TO STA. 87+00



STAGE 1 TYPICAL SECTION
STA. 87+00 TO STA. 100+00



STAGE 2 TYPICAL SECTION
STA. 87+00 TO STA. 100+00

LEGEND

- ① TEMPORARY CONCRETE BARRIER
- ② TYPE 2 BARRICADES OR DRUMS
- ③ TEMPORARY PAVEMENT MARKING - LINE 4" WHITE
- ④ TEMPORARY PAVEMENT MARKING - LINE 4" DOUBLE YELLOW
- ⑤ TEMPORARY PAVEMENT

SUGGESTED CONSTRUCTION STAGING

PRE-STAGE.

1. PLACE TEMPORARY TRAFFIC SIGNALS AT THORNTON ROAD AND BROADWAY ROAD.
2. REMOVE MEDIAN CURB & GUTTER AND SURFACE FROM STA 61+42 TO 65+59 AND PLACE TEMPORARY PAVEMENT.
3. MILL EXISTING HOT-MIX ASPHALT PAVEMENT.
4. PLACE SHORT TERM PAVEMENT MARKINGS.

STAGE 1

1. PLACE STAGE 1 TEMPORARY CONCRETE BARRIER AND TEMPORARY IMPACT ATTENUATORS.
2. INSTALL TEMPORARY BRIDGE TRAFFIC SIGNALS. REFER TO HIGHWAY STANDARD 701321 FOR DETAILS NOT SHOWN.
3. PLACE STAGE 1 TEMPORARY PAVEMENT MARKINGS.
4. CONSTRUCT STORM SEWER WITHIN STAGE LIMITS.
5. CONSTRUCT CONCRETE CURB & GUTTER, CONCRETE BARRIER BASE, CONCRETE BARRIER, GUARDRAIL AND SIDEWALK.
6. PATCH PAVEMENT.
7. EXTEND STORM SEWER CROSSINGS BEYOND LIMITS OF STAGE 2 CONSTRUCTION ACCORDING TO HIGHWAY STANDARD 701602 AND 701606.
8. REMOVE CURB AND GUTTER ON THE RIGHT SIDE OF MEDIAL PIER STA. 65+60 TO 66+33 AND PLACE TEMPORARY PAVEMENT.

STAGE 2

1. RELOCATE TEMPORARY CONCRETE BARRIER AND TEMPORARY IMPACT ATTENUATORS.
2. RELOCATE TEMPORARY BRIDGE TRAFFIC SIGNALS. REFER TO HIGHWAY STANDARD 701321 FOR DETAILS NOT SHOWN.
3. PLACE STAGE 2 TEMPORARY PAVEMENT MARKINGS.
4. COMPLETE STORM SEWER CONSTRUCTION.
5. CONSTRUCT CONCRETE CURB & GUTTER, CONCRETE BARRIER BASE, CONCRETE BARRIER, GUARDRAIL AND SIDEWALK.
6. PATCH PAVEMENT.

STAGE 3

1. CONSTRUCT SINGLE FACE AND DOUBLE FACE CONCRETE BARRIER IN MEDIAN.
2. PLACE PERMANENT IMPACT ATTENUATORS
3. PLACE LEVELING BINDER AND SURFACE COURSES ACCORDING TO HIGHWAY STANDARDS 701602 AND 701606.
4. PLACE FINAL PAVEMENT MARKINGS AND RAISED REFLECTIVE PAVEMENT MARKERS..
5. COMPLETE AND ACTIVATE PROPOSED TRAFFIC SIGNALS.

FILE NAME =	USER NAME = JUSER.	DESIGNED - EF	REVISED -	STATE OF ILLINOIS DEPARTMENT OF TRANSPORTATION	ASHLAND AVE. (THORNTON RD. - BROADWAY ST.) SUGGESTED CONSTRUCTION STAGING - TYPICAL SECTIONS	F.A.U. RTE.	SECTION	COUNTY	TOTAL SHEETS	SHEET NO.	
#FILEL#	PLOT SCALE = 50.0000' / IN.	DRAWN - EF	REVISED -			2857	2011-054-1	COOK	81	32	
	PLOT DATE = 12/28/2011	CHECKED - RS	REVISED -			CONTRACT NO. 60P64					
		DATE - 12-28-2011	REVISED -			ILLINOIS FED. AID PROJECT					