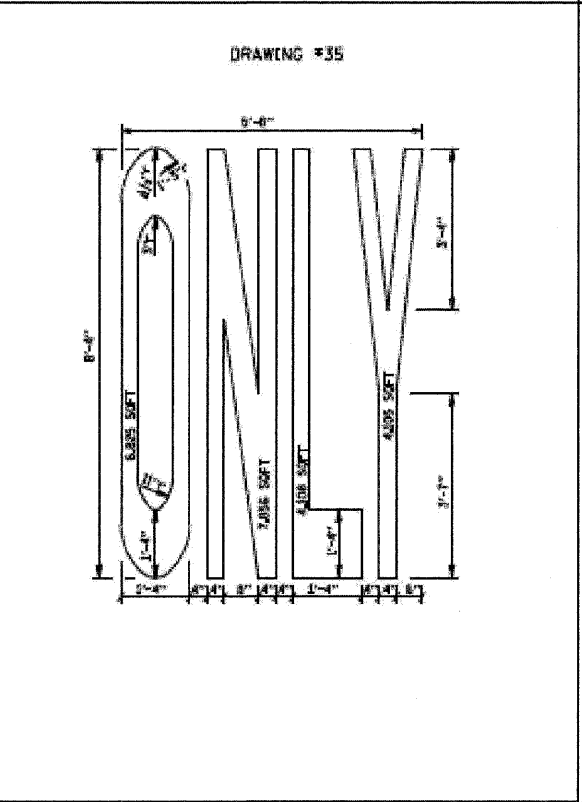
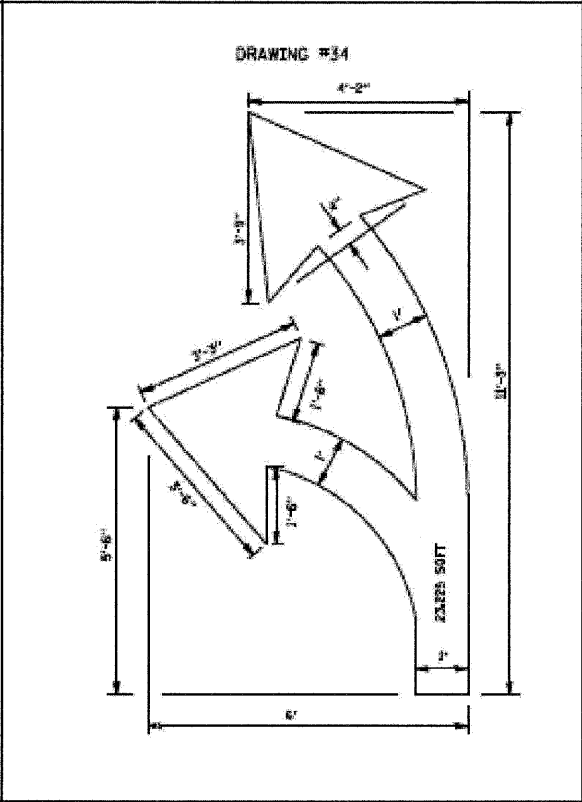
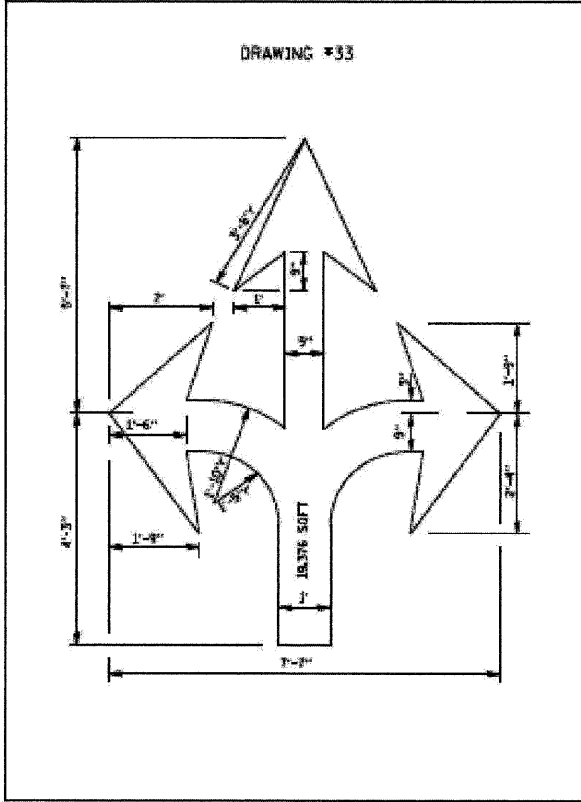
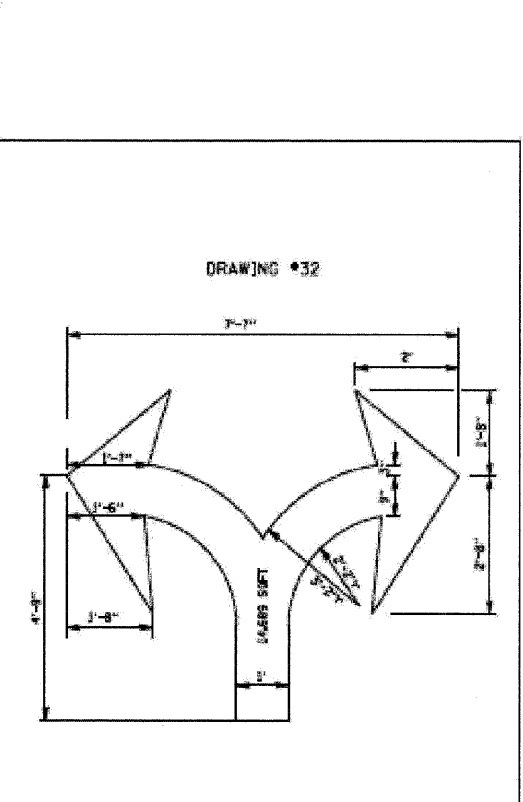
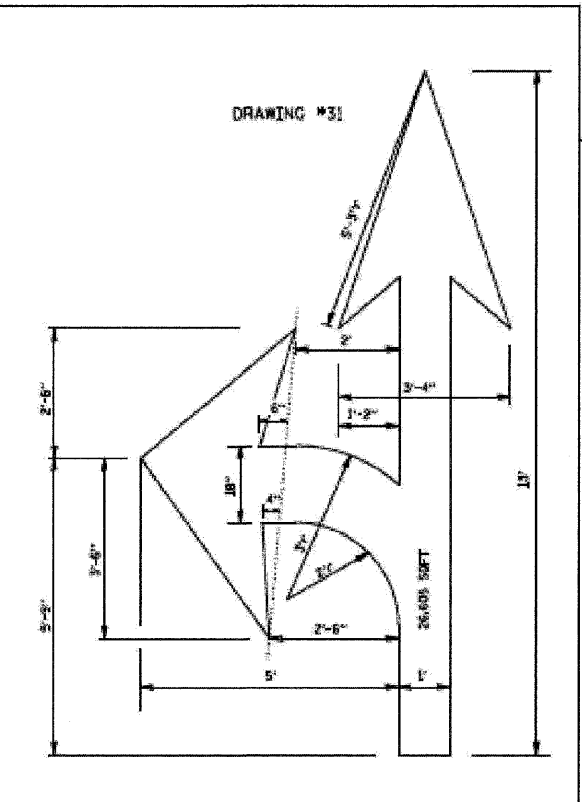
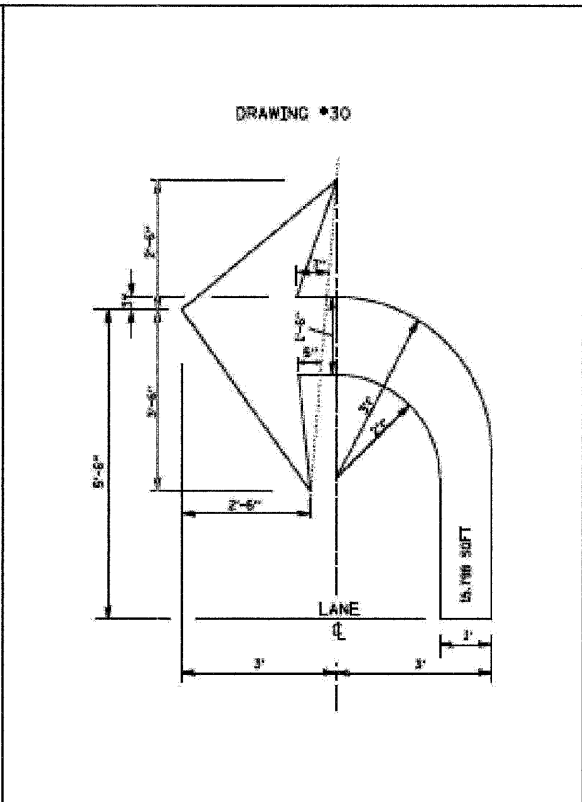
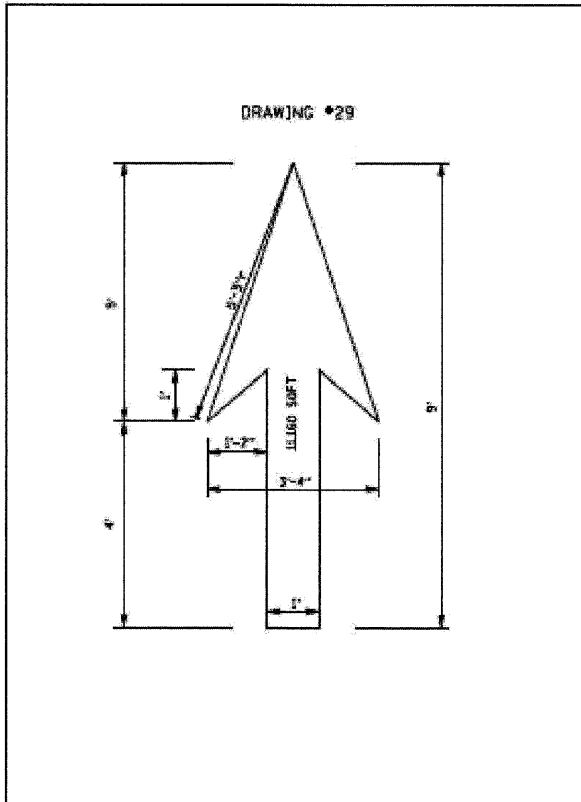


NOTE:
 1.) FOR BIKE LANE SYMBOLS ONLY, USE PRE-FORMED THERMOPLASTIC WITH A MINIMUM THICKNESS OF 90 MILS, MINIMUM SKID RESISTANCE VALUE OF 60 BPN, & A MINIMUM INDEX OF REFRACTION OF 1.50.
 2.) THE RESIDENT ENGINEER SHALL CONTACT MR. BEN GOMBERG AT 312-744-8093 AT LEAST ONE CALENDAR WEEK PRIOR TO INSTALLING BIKE LANE SYMBOLS.

TYPICAL BIKE LANE SYMBOLS
DRAWING #28



NOTE:
 ALL MARKINGS SHALL BE SOLID WHITE UNLESS OTHERWISE NOTED IN THE PLANS

**CITY OF CHICAGO
 TYPICAL PAVEMENT MARKINGS**



USER NAME = #USER#
 DESIGNED -
 DRAWN -
 CHECKED -
 PLOT SCALE = #SCALE#
 PLOT DATE = #DATE#

DESIGNED -
 DRAWN -
 CHECKED -
 DATE -

REVISED -
 REVISED -
 REVISED -
 REVISED -

STATE OF ILLINOIS
 DEPARTMENT OF TRANSPORTATION

DISTRICT 1 STANDARDS
 F.A.I. 90 (I-90) AT ILL 50 (CICERO AVENUE)
 SCALE: N.T.S. SHEET NO. 5 OF 5 SHEETS

F.A.P. RTE.	SECTION	COUNTY	TOTAL SHEETS	SHEET NO.
350	2011-063-I	COOK	18	18
TC-24 (SHEET 2 OF 2)			CONTRACT NO. 60P82	
FED. ROAD DIST. NO. 1 ILLINOIS FED. AID PROJECT				