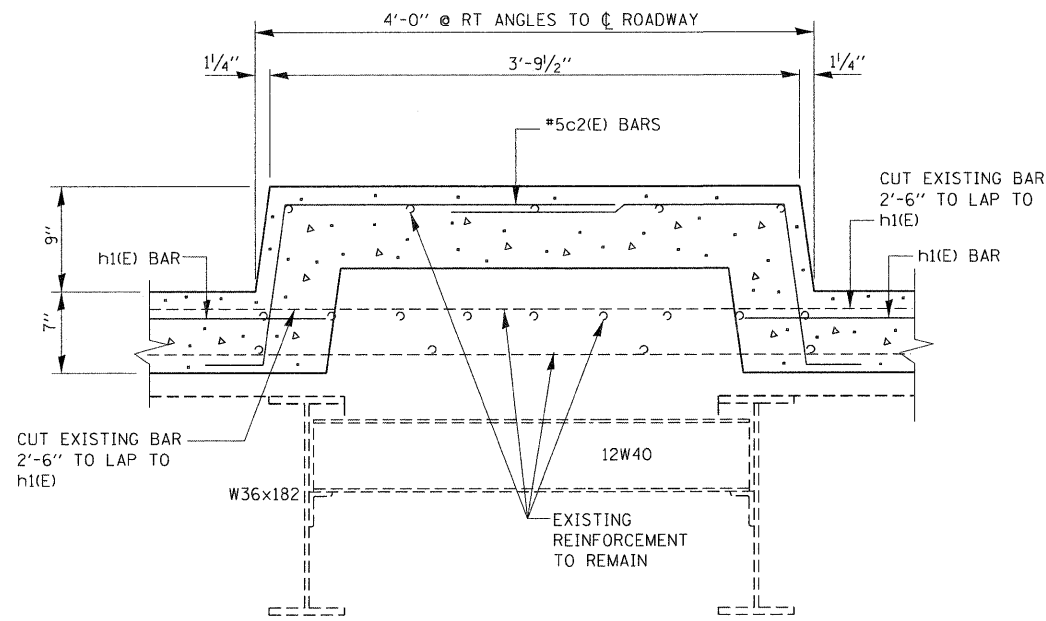
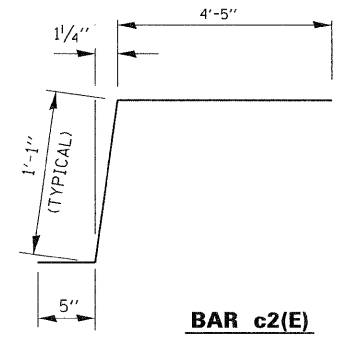



**EXISTING SECTION C-C**

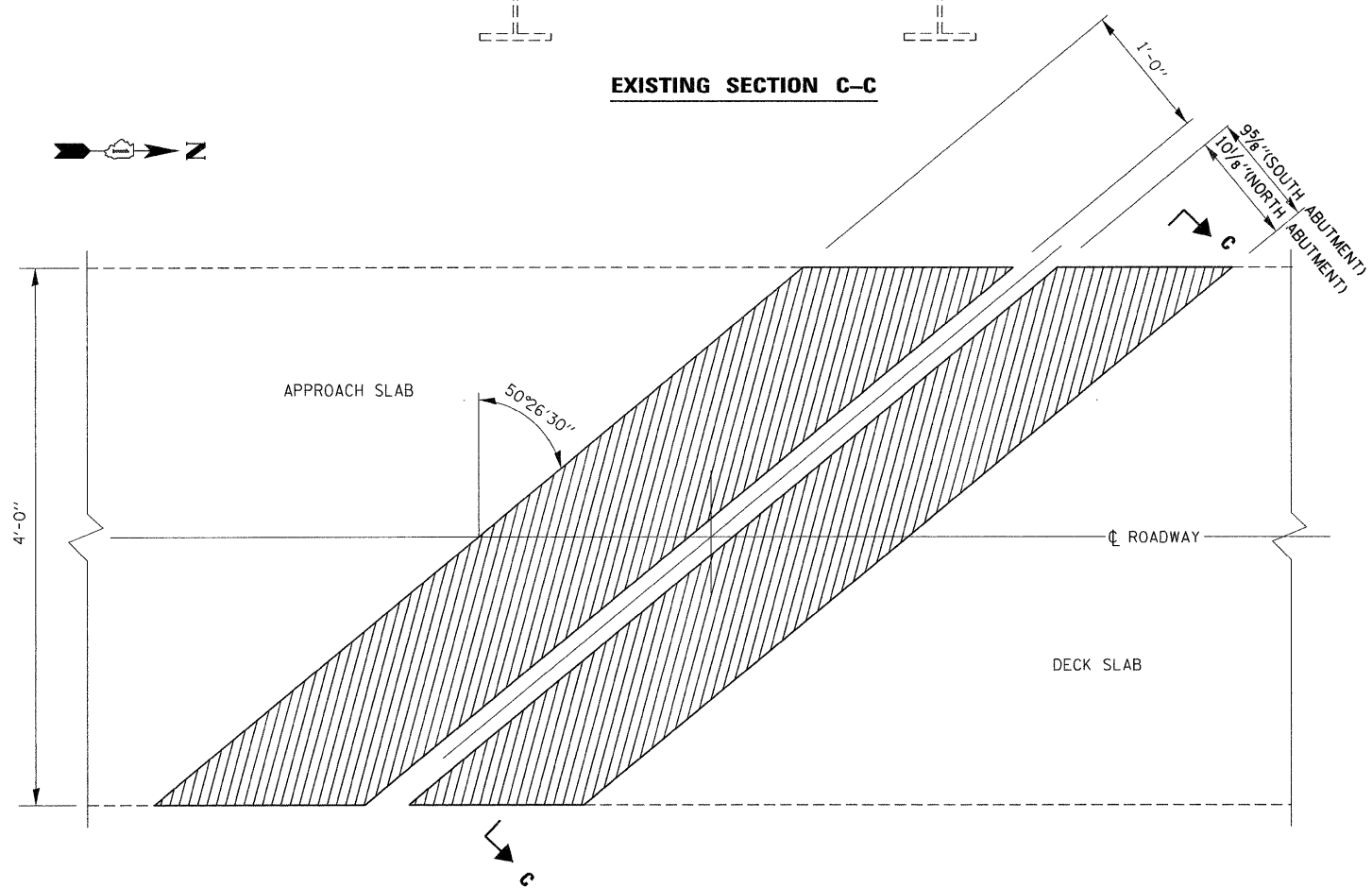


**PROPOSED SECTION C-C**

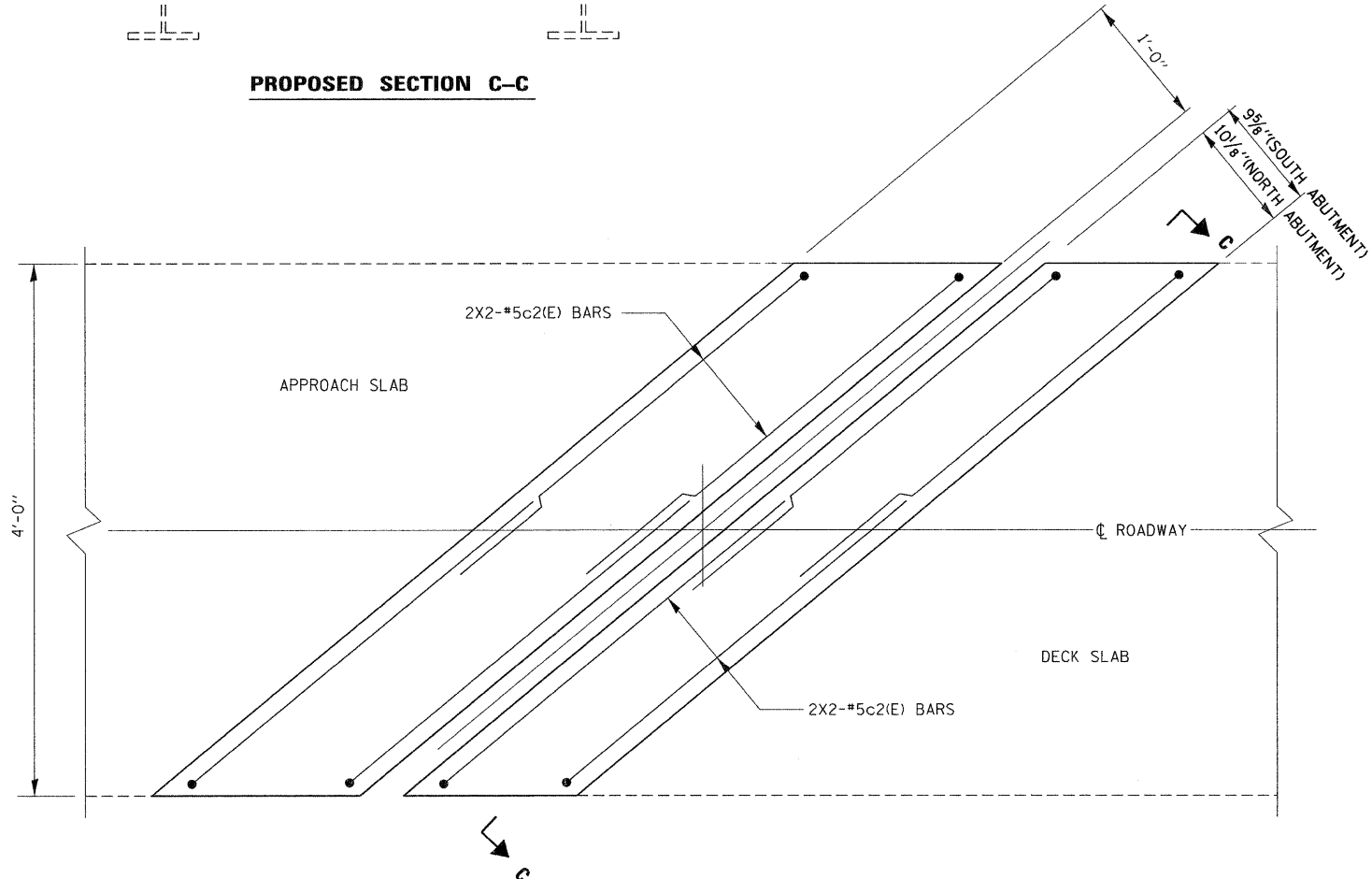


**BAR c2(E)**

**LEGEND:**  
 HATCHED AREA INDICATES CONCRETE REMOVAL



**EXISTING PLAN**



**PLAN OF SLAB MEDIAN  
 SHOWING REINFORCEMENT  
 PROPOSED**

BAR LAP TABLE	
SIZE	LENGTH
#5	1'-8"