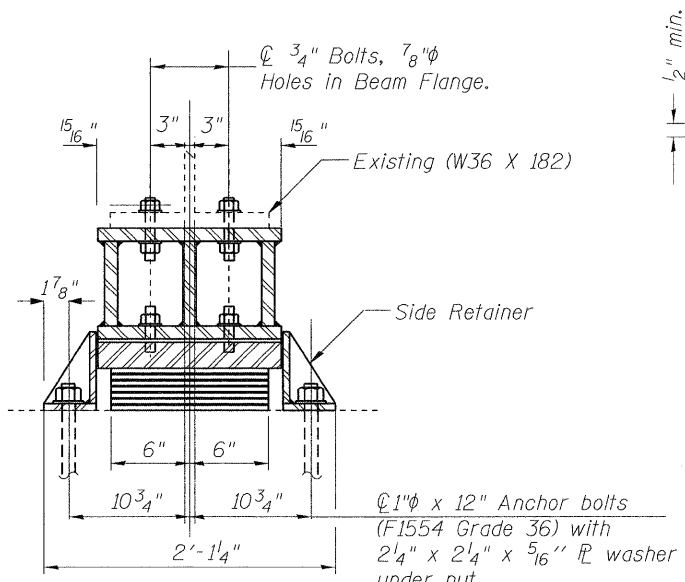
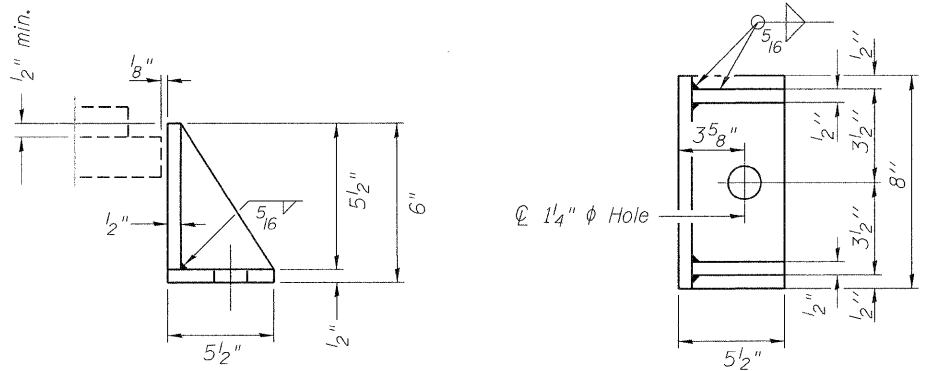


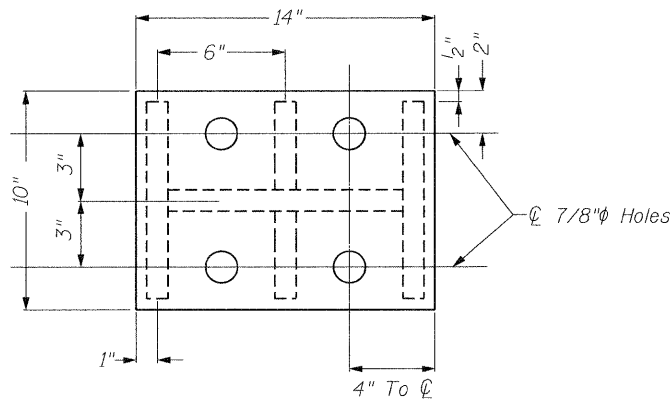
ELEVATION AT ABUT.



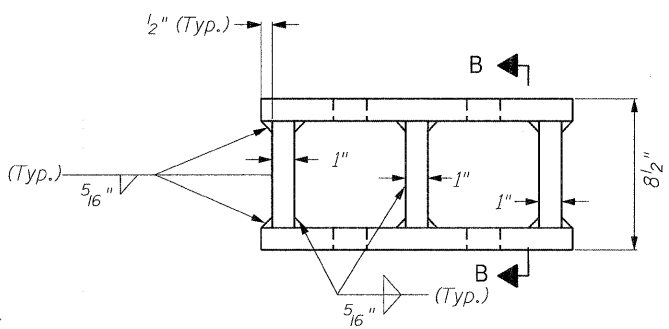
SECTION A-A



SIDE RETAINER
Equivalent rolled angle with stiffeners will be allowed in lieu of welded plates.

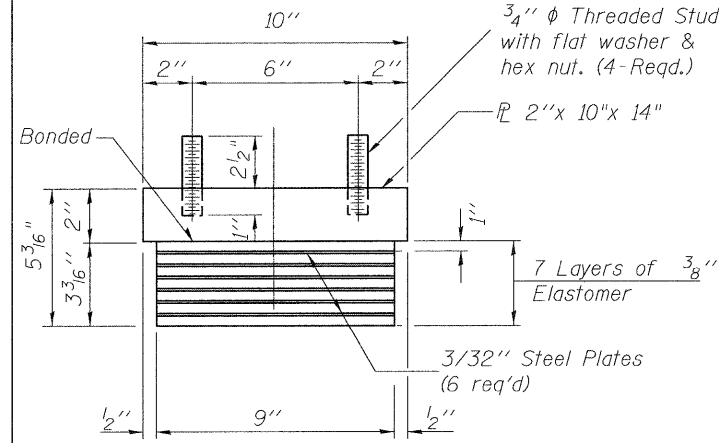


PLAN TOP/BOTTOM PLATE



STEEL EXTENSION DETAIL

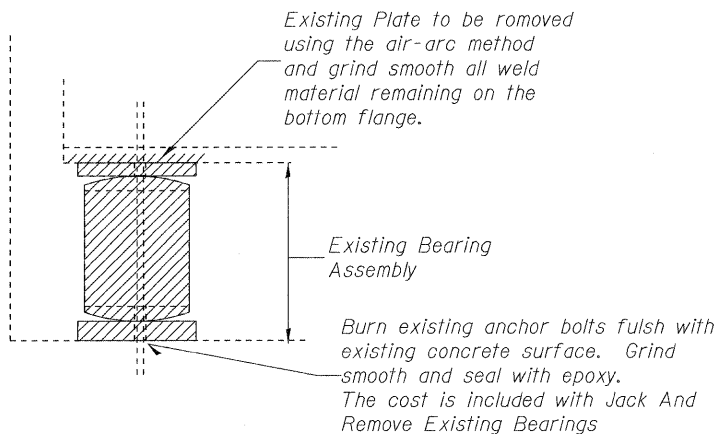
TYPE I ELASTOMERIC EXP. BRG.



BEARING ASSEMBLY

Note:
Shim plates shall not be placed under Bearing Assembly.

Notes:
For the details of existing bearings see sheet number 19
Side retainers and other steel members required for the elastomeric bearing assembly shall be included in the cost of Elastomeric Bearing Assembly, Type I.
Anchor bolts shall be ASTM F1554 all-thread (or an Engineer-approved alternate material) of the grade(s) and diameter(s) specified. ASTM A307 Grade C anchor bolts may be used in lieu of ASTM F1554 Grade 36 (Fy=36ksi). The corresponding specified grade of AASHTO M314 anchor bolts may be used in lieu of ASTM F1554.
Anchor bolts for side retainers may be cast in place or installed in holes drilled before or after members are in place.
Drilled and set anchor bolts shall be installed according to Article 521.06 of the Standard Specifications.
Prior to ordering any material the Contractor shall verify in the field all bearing height and shim thickness dimensions



EXISTING BEARING REMOVAL

REACTIONS SN 016-2429

	SO. ABUT (kips)
R DL	25.1
R SDL	13.1
R LL	36.1
R Imp	8.6
R TOTAL	74.3

BILL OF MATERIAL

Item	Unit	Total
Elastomeric Bearing Assembly Type I	Each	12
Furnish And Erecting Structural Steel	Lbs.	1772
Jack and Remove Existing Bearings	Each	12
Anchor Bolts 1"φ	Each	24