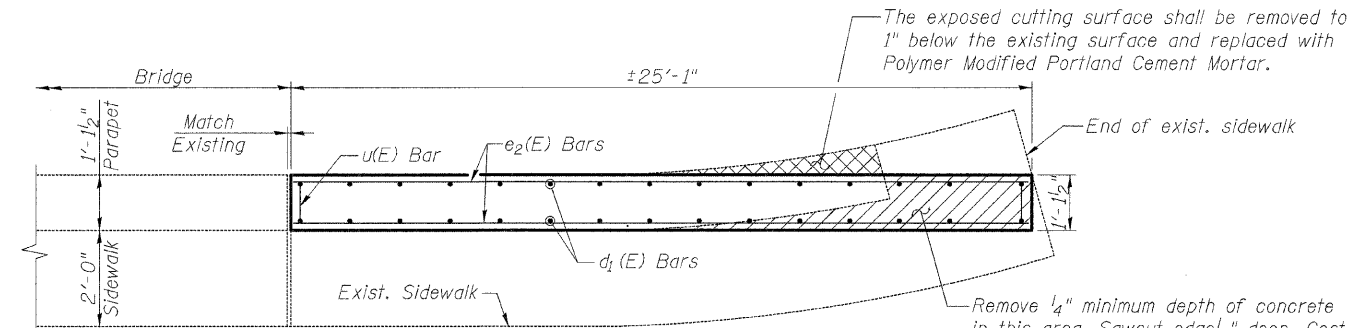
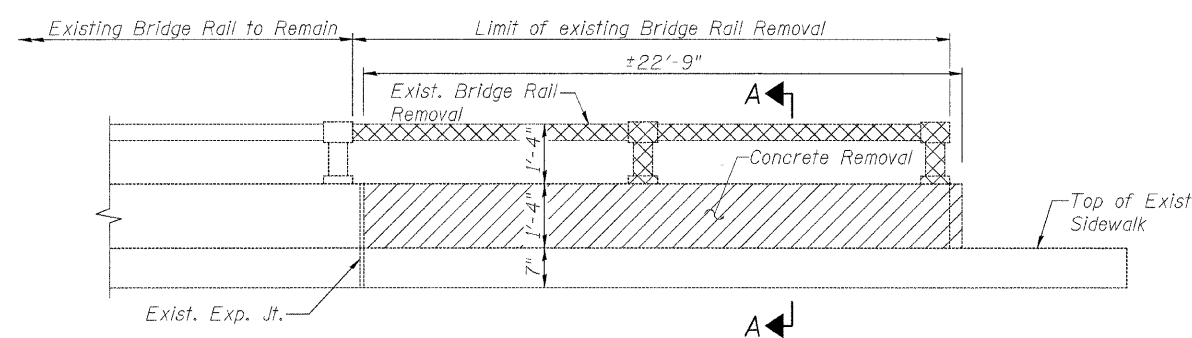


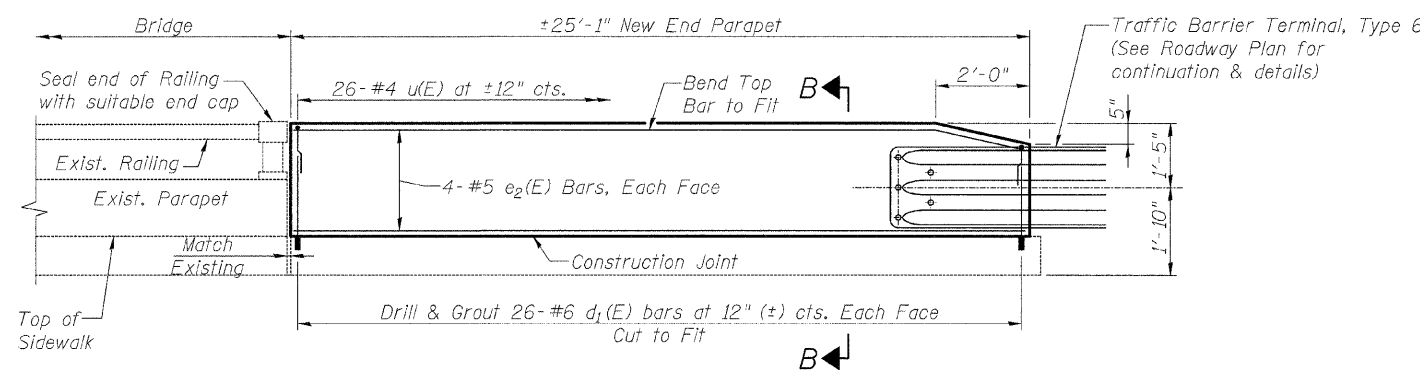
CONCRETE REMOVAL PLAN



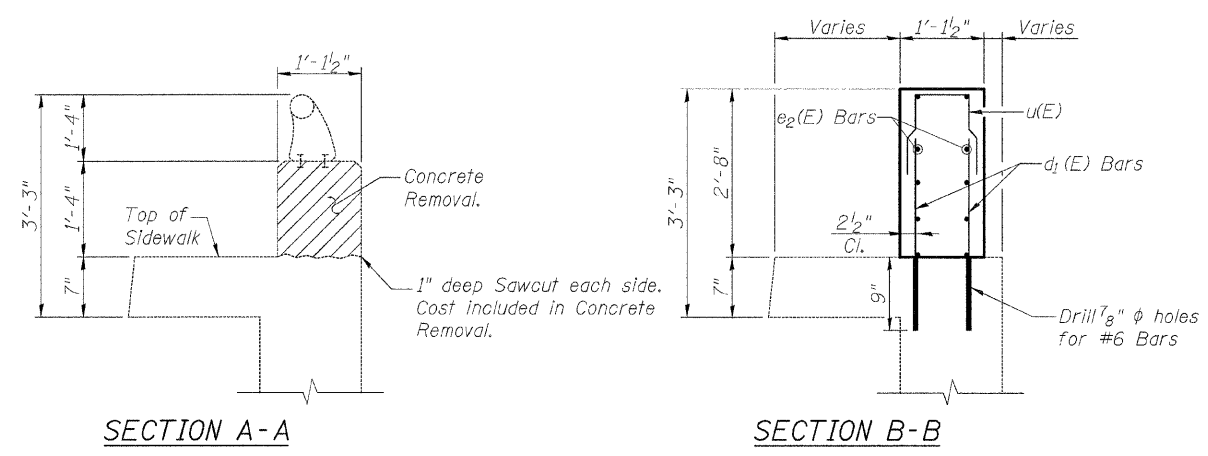
NEW END PARAPET PLAN



REMOVAL ELEVATION

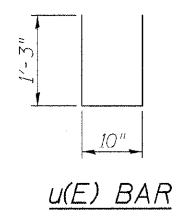


NEW END PARAPET ELEVATION (FRONT VIEW)



SECTION A-A

SECTION B-B



u(E) BAR

NOTES

1. Reinforcement bars shall conform to the requirements of ASTM A 706 Gr. 60. See Special Provisions.
2. Reinforcement bars designated (E) shall be epoxy coated.
3. Plan dimensions and details are developed from survey data. The Contractor shall field verify existing dimensions and details affecting new construction and make necessary approved adjustments prior to construction or ordering of materials. Such variations shall not be cause for additional compensation for a change in scope of the work, however, the Contractor will be paid for the quantity actually furnished at the unit price bid for the work.
4. Drilling and grouting bars shall be in accordance with Section 584 of the Standard Specifications.

BILL OF MATERIAL

Bar	No.	Size	Length	Shape
e ₂ (E)	16	#5	24'-9"	—
d ₁ (E)	104	#6	3'-1"	—
u(E)	52	#4	3'-4"	L
Concrete Removal			Cu. Yd.	2.6
Bridge Rail Removal			LF	46
Concrete Superstructure Reinforcement Bars, Epoxy Coated			Pound	1020
Polymer Modified Portland Cement Mortar			Sq. Ft.	5
Protective Coat			Sq. Yd.	21.0

The quantities above include 2 new end parapets (Northeast and Northwest Parapets).