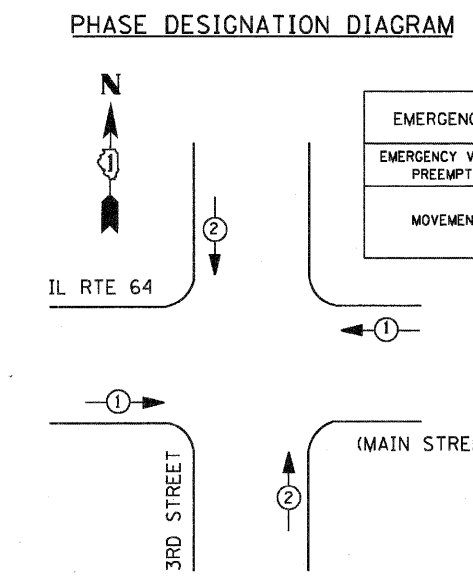
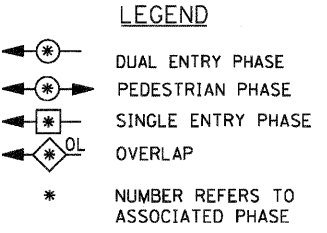
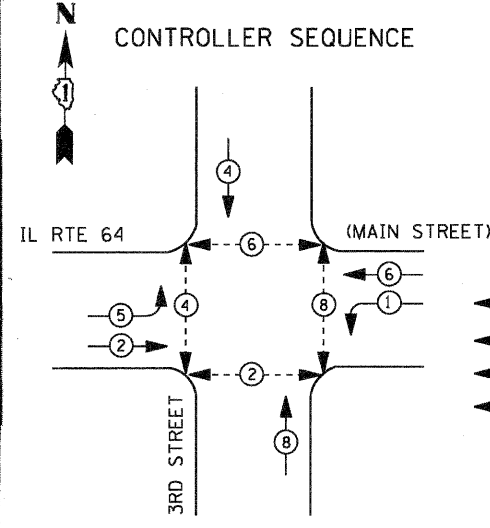
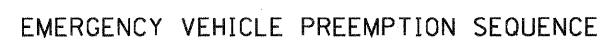


F.A.P. RTE.	SECTION	COUNTY	TOTAL SHEET
307	1211/1212 & 1213	KANE	265
STA.	TO STA.		
FED. ROAD DIST. NO.	ILLINOIS FED. AID PROJECT		
C-91-236-87			



EMERGENCY VEHICLE PREEMPTOR	1	2
MOVEMENT	←	↑

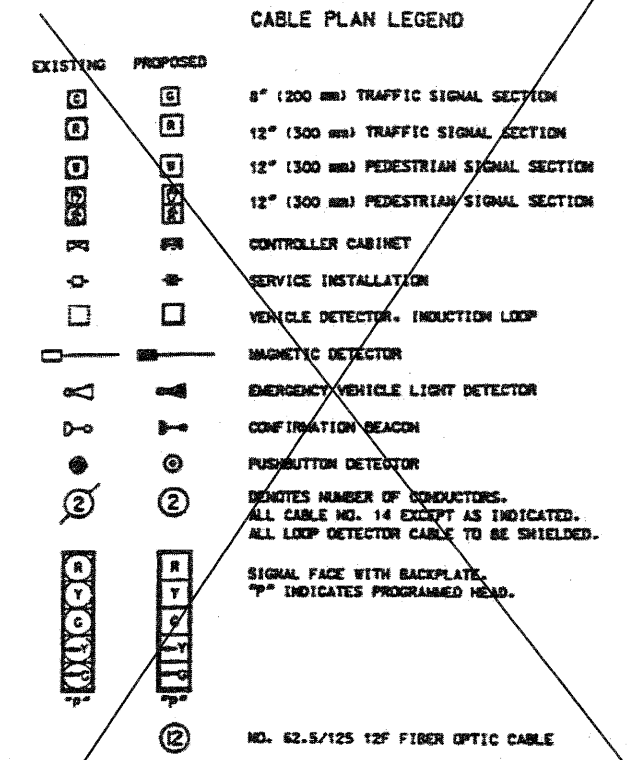
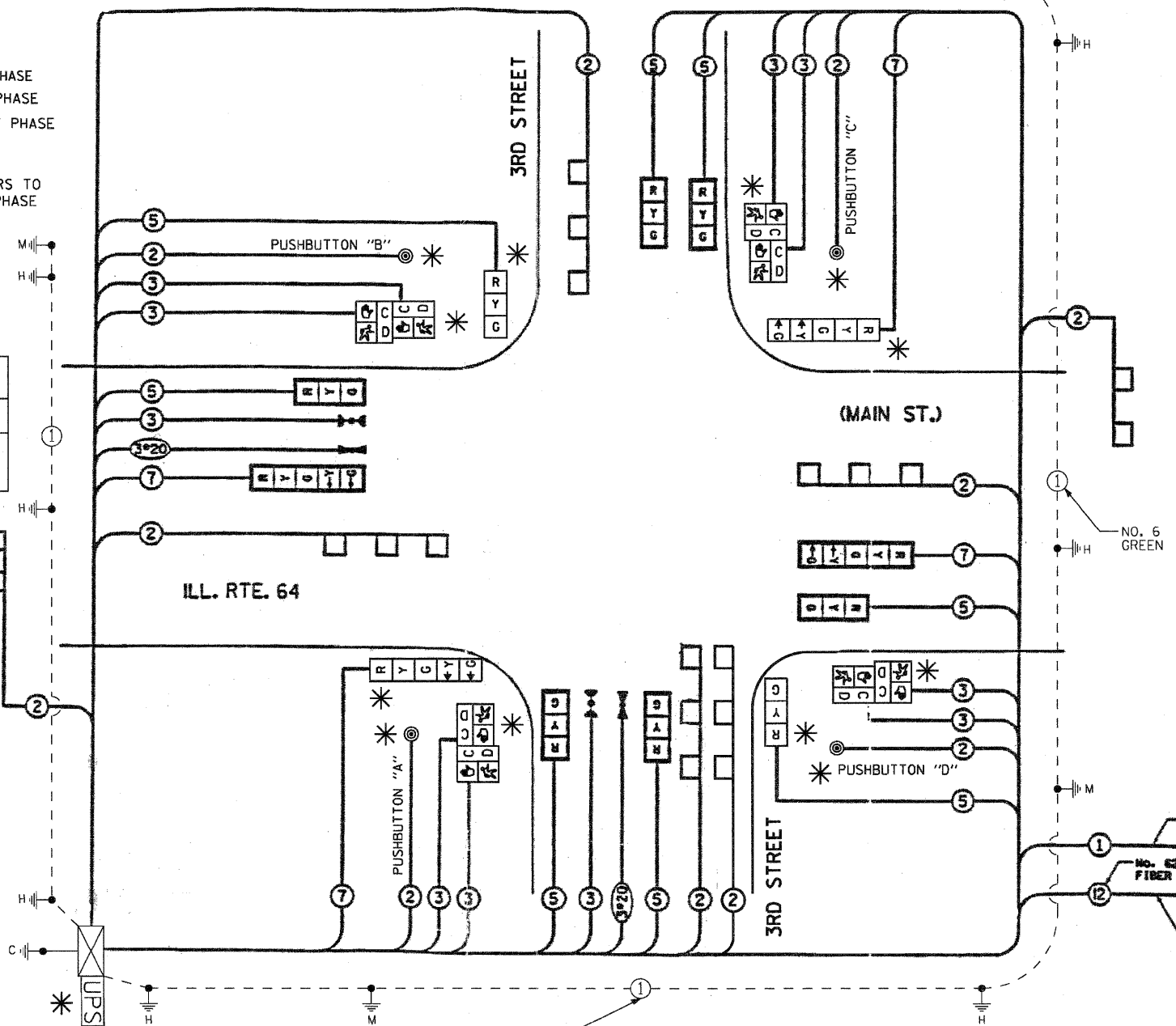


* RESTORATION OF WORK AREA. RESTORATION OF THE TRAFFIC SIGNAL WORK AREA SHALL BE INCLUDED IN THE RELATED PAY ITEM SUCH AS FOUNDATION, CONDUIT, HANDHOLE, TRENCH AND BACKFILL, ETC., AND NO EXTRA COMPENSATION SHALL BE ALLOWED. ALL ROADWAY SURFACES SUCH AS SHOULDERS, MEDIAN, SIDEWALKS, PAVEMENT ETC. SHALL BE REPLACED IN KIND. ALL DAMAGE TO MOWED LAWNS SHALL BE REPLACED WITH AN APPROVED SOD, AND ALL DAMAGE TO UNMOWED FIELDS SHALL BE SEED IN ACCORDANCE WITH STANDARD SPECIFICATIONS 252 AND 250 RESPECTIVELY.

* SCHEDULE OF QUANTITIES

ITEM	UNIT	QUANTITY
MAINTENANCE OF EXISTING TRAFFIC SIGNAL INSTALLATION	EACH	1
SIGNAL HEAD, LED, 1-FACE, 3-SECTION, BRACKET MOUNTED	EACH	2
SIGNAL HEAD, LED, 1-FACE, 5-SECTION, BRACKET MOUNTED	EACH	2
PEDESTRIAN SIGNAL HEAD, LED, 2-FACE, BRACKET MOUNTED WITH COUNTDOWN TIMER	EACH	4
PEDESTRIAN PUSH-BUTTON	EACH	4
REMOVE EXISTING TRAFFIC SIGNAL EQUIPMENT	EACH	1
UNINTERRUPTIBLE POWER SUPPLY SPECIAL	EACH	1

NOTE:
 PUSHBUTTON "A" SHALL PLACE A CALL IN PHASES 2 AND 4.
 PUSHBUTTON "B" SHALL PLACE A CALL IN PHASES 4 AND 6.
 PUSHBUTTON "C" SHALL PLACE A CALL IN PHASES 6 AND 8.
 PUSHBUTTON "D" SHALL PLACE A CALL IN PHASES 2 AND 8.



* INDICATES WORK FOR CONTRACT 60R33

NAME	DATE
RWA	08/2011

STATE OF ILLINOIS
 DEPARTMENT OF TRANSPORTATION
SCHEDULE OF QUANTITIES AND CABLE PLAN
 ILL. RTE. 64 (MAIN ST.) AND 3RD STREET
 ST. CHARLES, ILLINOIS
 SCALE N.T.S. DATE 7-24-96
 DRAWN BY FPS / FCP
 CHECKED BY ASB / GMZ

CHRISTOPHER B. BURKE ENGINEERING LTD.
 9575 West Higgins Road, Suite 800
 Rosemont, Illinois 60018
 (847) 823-0500