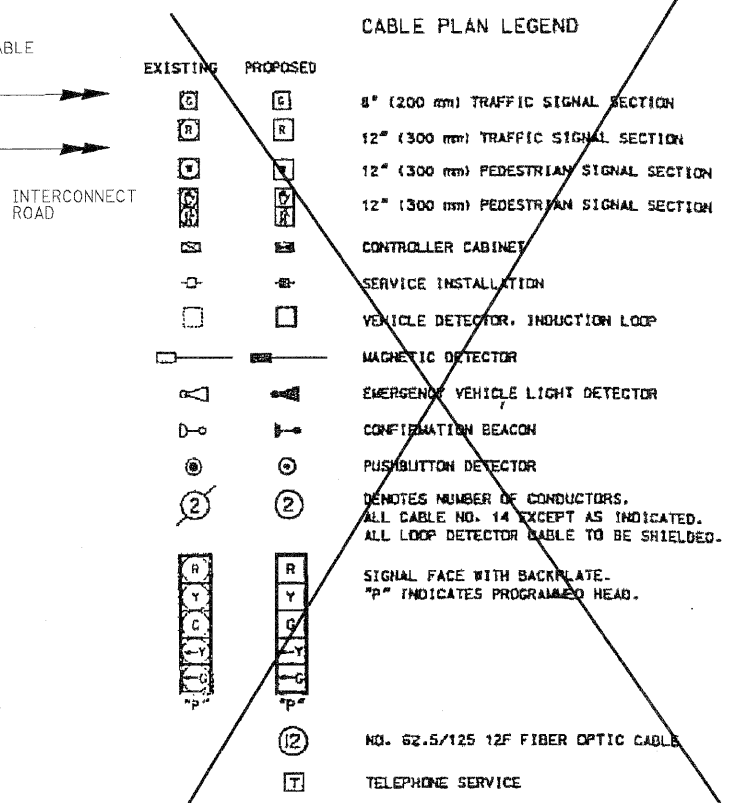
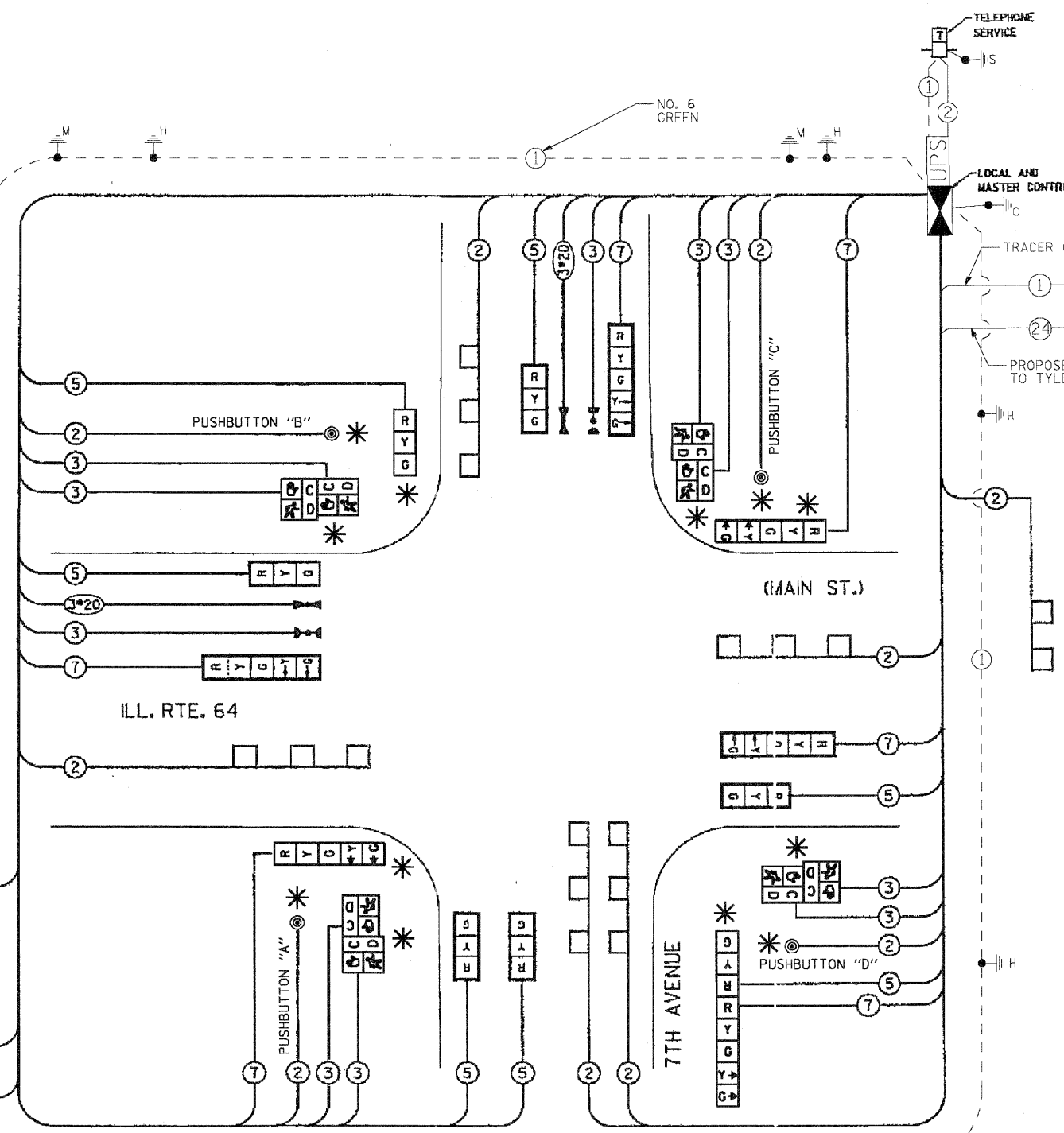
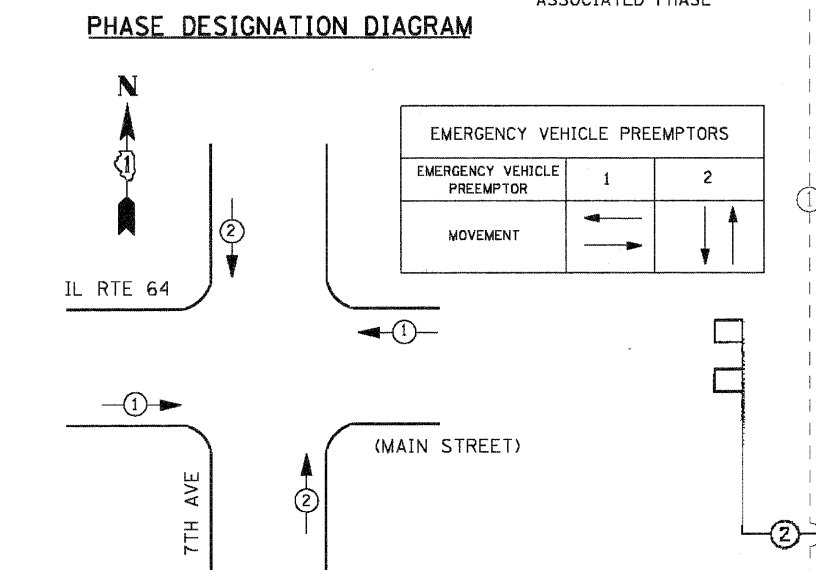
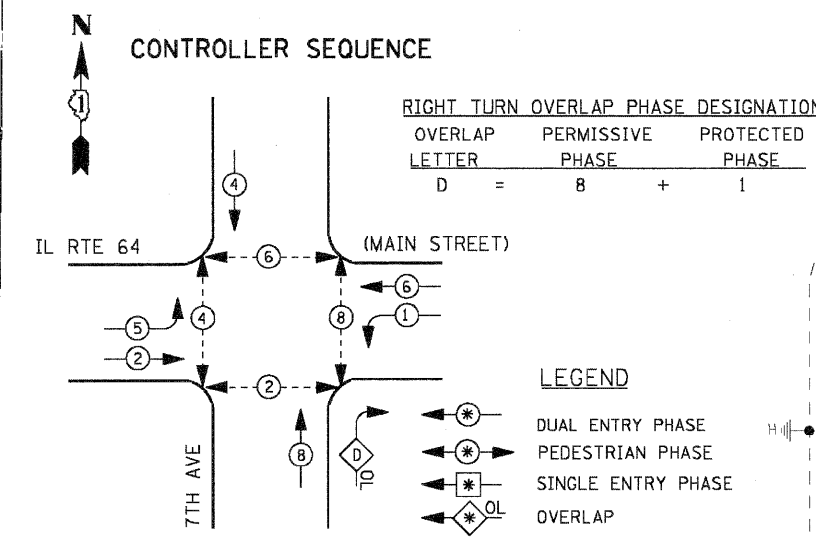


| F.A.P. RTE. | SECTION | COUNTY | TOTAL SHEETS | SHEET NO. |
|--------------|-----------------|---------------------------|--------------|-----------|
| 307 | 11272-23 & 1191 | KANE | 265 | 243 |
| STA. TO STA. | | ILLINOIS FED. AID PROJECT | | |
| C-91-236-07 | | | | |



THE END OF THE TRACER CABLE SHALL BE TIED TO THE CABLE HOOK IN THE DOUBLE HANDHOLE CLOSEST TO THE CONTROLLER FOUNDATION.

INTERCONNECT TO ILL. RTE. 25 (5TH AVE.)

* SCHEDULE OF QUANTITIES

| ITEM | UNIT | QUANTITY |
|---|------|----------|
| MAINTENANCE OF EXISTING TRAFFIC SIGNAL INSTALLATION | EACH | 1 |
| SIGNAL HEAD, LED, 1-FACE, 3-SECTION, BRACKET MOUNTED | EACH | 1 |
| SIGNAL HEAD, LED, 1-FACE, 5-SECTION, BRACKET MOUNTED | EACH | 2 |
| SIGNAL HEAD, LED, 2-FACE, 1-3 SECTION, 1-5 SECTION, BRACKET MOUNTED | EACH | 1 |
| PEDESTRIAN SIGNAL HEAD, LED, 2-FACE, BRACKET MOUNTED WITH COUNTDOWN TIMER | EACH | 4 |
| PEDESTRIAN PUSH-BUTTON | EACH | 4 |
| REMOVE EXISTING TRAFFIC SIGNAL EQUIPMENT | EACH | 1 |

NOTE:
 PUSHBUTTON "A" SHALL PLACE A CALL IN PHASES 2 AND 4.
 PUSHBUTTON "B" SHALL PLACE A CALL IN PHASES 4 AND 6.
 PUSHBUTTON "C" SHALL PLACE A CALL IN PHASES 6 AND 8.
 PUSHBUTTON "D" SHALL PLACE A CALL IN PHASES 2 AND 8.

* **RESTORATION OF WORK AREA.** RESTORATION OF THE TRAFFIC SIGNAL WORK AREA SHALL BE INCLUDED IN THE RELATED PAY ITEM SUCH AS FOUNDATION, CONDUIT, HANDHOLE, TRENCH AND BACKFILL, ETC., AND NO EXTRA COMPENSATION SHALL BE ALLOWED. ALL ROADWAY SURFACES SUCH AS SHOULDERS, MEDIAN, SIDEWALKS, PAVEMENT ETC. SHALL BE REPLACED IN KIND. ALL DAMAGE TO MOWED LAWNS SHALL BE REPLACED WITH AN APPROVED SOD, AND ALL DAMAGE TO UNMOWED FIELDS SHALL BE SEEDD IN ACCORDANCE WITH STANDARD SPECIFICATIONS 252 AND 250 RESPECTIVELY.

REVISIONS

| NAME | DATE |
|------|---------|
| RWA | 08/2011 |

STATE OF ILLINOIS
 DEPARTMENT OF TRANSPORTATION
SCHEDULE OF QUANTITIES AND CABLE PLAN
 ILL. RTE. 64 (MAIN ST.) AT 7TH AVENUE
 ST. CHARLES, ILLINOIS

SCALE: N.T.S. DATE: 7-24-96
 DRAWN BY: FPB / FCP
 CHECKED BY: ABR / CMZ

CHRISTOPHER B. BURKE ENGINEERING LTD.
 2575 West Higgins Road, Suite 600
 Rosemont, Illinois 60018
 18471 823-0500

| | | | |
|---|------------------------|---------------|-----------|
| FILE NAME = | USER NAME = .\USERNAME | DESIGNED - DW | REVISED - |
| k:\proj\1043\design\04\sheet files\1124cab7Av.dgn | | DRAWN - JDH | REVISED - |
| PLOT SCALE = 20.0000" / 1" | | CHECKED - KMM | REVISED - |
| PLOT DATE = 12/14/2011 | | DATE - | REVISED - |

STATE OF ILLINOIS
 DEPARTMENT OF TRANSPORTATION

IL ROUTE 64 (MAIN ST) AT 7th AVENUE
 CABLE MODERNIZATION PLAN

SCALE: N.T.S. SHEET NO. 2 OF 2 SHEETS STA. TO STA.

| F.A.P. RTE. | SECTION | COUNTY | TOTAL SHEETS | SHEET NO. |
|---------------------------|-------------|--------|--------------|-----------|
| 307 | 2011-100-TS | KANE | 23 | 22 |
| CONTRACT NO. 60R33 | | | | |
| ILLINOIS FED. AID PROJECT | | | | |