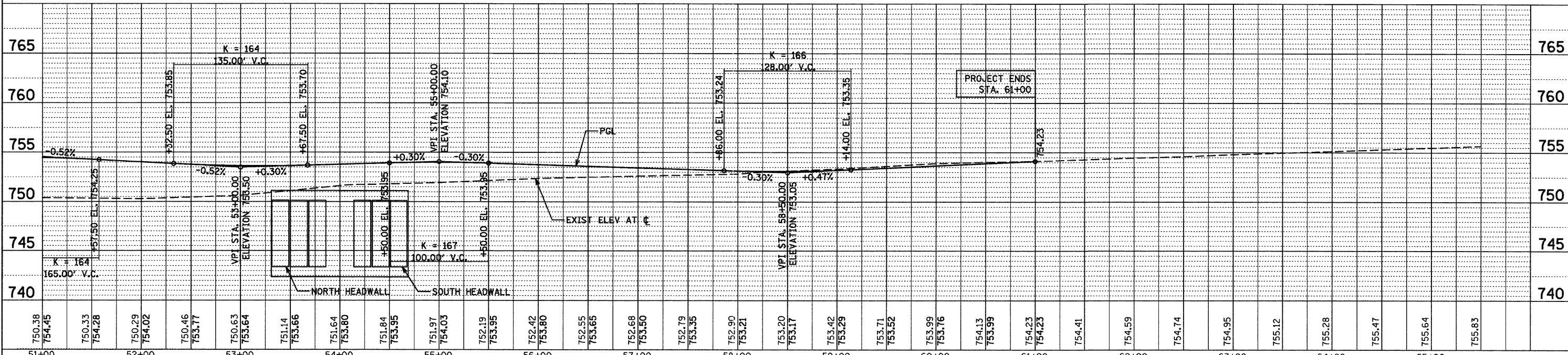
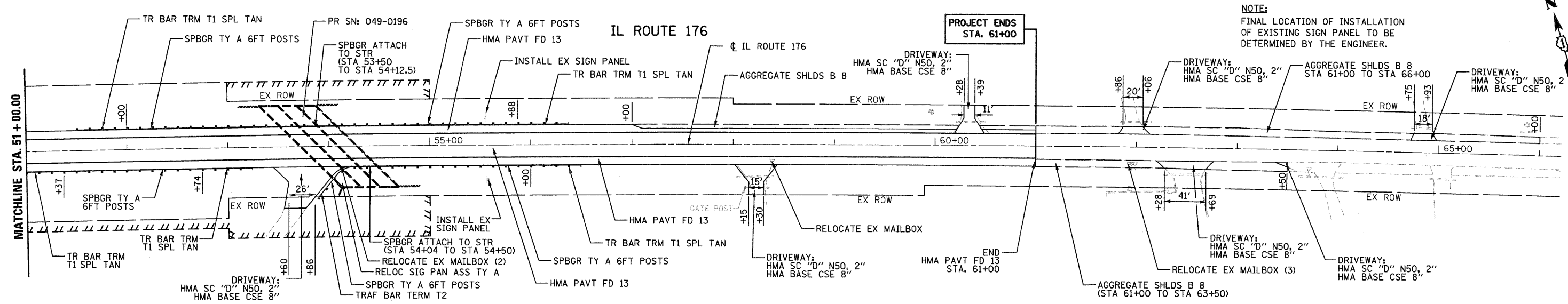
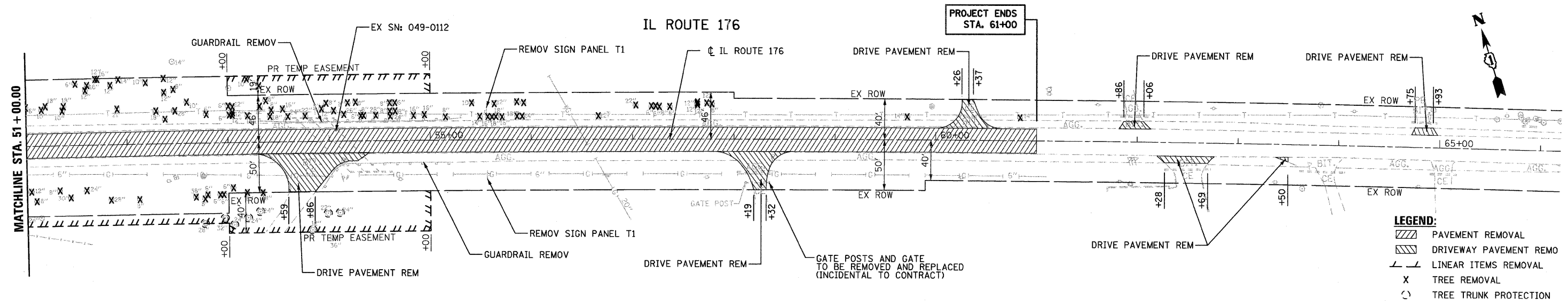


PLAN  
 REVISIONS  
 NO. BY DATE  
 1. BY DA  
 2. BY DA  
 3. BY DA  
 4. BY DA  
 5. BY DA  
 6. BY DA  
 7. BY DA  
 8. BY DA  
 9. BY DA  
 10. BY DA  
 11. BY DA  
 12. BY DA  
 13. BY DA  
 14. BY DA  
 15. BY DA  
 16. BY DA  
 17. BY DA  
 18. BY DA  
 19. BY DA  
 20. BY DA  
 21. BY DA  
 22. BY DA  
 23. BY DA  
 24. BY DA  
 25. BY DA  
 26. BY DA  
 27. BY DA  
 28. BY DA  
 29. BY DA  
 30. BY DA  
 31. BY DA  
 32. BY DA  
 33. BY DA  
 34. BY DA  
 35. BY DA  
 36. BY DA  
 37. BY DA  
 38. BY DA  
 39. BY DA  
 40. BY DA  
 41. BY DA  
 42. BY DA  
 43. BY DA  
 44. BY DA  
 45. BY DA  
 46. BY DA  
 47. BY DA  
 48. BY DA  
 49. BY DA  
 50. BY DA  
 51. BY DA  
 52. BY DA  
 53. BY DA  
 54. BY DA  
 55. BY DA  
 56. BY DA  
 57. BY DA  
 58. BY DA  
 59. BY DA  
 60. BY DA  
 61. BY DA  
 62. BY DA  
 63. BY DA  
 64. BY DA  
 65. BY DA  
 66. BY DA  
 67. BY DA  
 68. BY DA  
 69. BY DA  
 70. BY DA  
 71. BY DA  
 72. BY DA  
 73. BY DA  
 74. BY DA  
 75. BY DA  
 76. BY DA  
 77. BY DA  
 78. BY DA  
 79. BY DA  
 80. BY DA  
 81. BY DA  
 82. BY DA  
 83. BY DA  
 84. BY DA  
 85. BY DA  
 86. BY DA  
 87. BY DA  
 88. BY DA  
 89. BY DA  
 90. BY DA  
 91. BY DA  
 92. BY DA  
 93. BY DA  
 94. BY DA  
 95. BY DA  
 96. BY DA  
 97. BY DA  
 98. BY DA  
 99. BY DA  
 100. BY DA

PROFILE  
 REVISIONS  
 NO. BY DATE  
 1. BY DA  
 2. BY DA  
 3. BY DA  
 4. BY DA  
 5. BY DA  
 6. BY DA  
 7. BY DA  
 8. BY DA  
 9. BY DA  
 10. BY DA  
 11. BY DA  
 12. BY DA  
 13. BY DA  
 14. BY DA  
 15. BY DA  
 16. BY DA  
 17. BY DA  
 18. BY DA  
 19. BY DA  
 20. BY DA  
 21. BY DA  
 22. BY DA  
 23. BY DA  
 24. BY DA  
 25. BY DA  
 26. BY DA  
 27. BY DA  
 28. BY DA  
 29. BY DA  
 30. BY DA  
 31. BY DA  
 32. BY DA  
 33. BY DA  
 34. BY DA  
 35. BY DA  
 36. BY DA  
 37. BY DA  
 38. BY DA  
 39. BY DA  
 40. BY DA  
 41. BY DA  
 42. BY DA  
 43. BY DA  
 44. BY DA  
 45. BY DA  
 46. BY DA  
 47. BY DA  
 48. BY DA  
 49. BY DA  
 50. BY DA  
 51. BY DA  
 52. BY DA  
 53. BY DA  
 54. BY DA  
 55. BY DA  
 56. BY DA  
 57. BY DA  
 58. BY DA  
 59. BY DA  
 60. BY DA  
 61. BY DA  
 62. BY DA  
 63. BY DA  
 64. BY DA  
 65. BY DA  
 66. BY DA  
 67. BY DA  
 68. BY DA  
 69. BY DA  
 70. BY DA  
 71. BY DA  
 72. BY DA  
 73. BY DA  
 74. BY DA  
 75. BY DA  
 76. BY DA  
 77. BY DA  
 78. BY DA  
 79. BY DA  
 80. BY DA  
 81. BY DA  
 82. BY DA  
 83. BY DA  
 84. BY DA  
 85. BY DA  
 86. BY DA  
 87. BY DA  
 88. BY DA  
 89. BY DA  
 90. BY DA  
 91. BY DA  
 92. BY DA  
 93. BY DA  
 94. BY DA  
 95. BY DA  
 96. BY DA  
 97. BY DA  
 98. BY DA  
 99. BY DA  
 100. BY DA



FILE NAME = ...\\D162187-sht-plnprf_02.dgn	DESIGNED ADW	REVISIONS -	<b>STATE OF ILLINOIS</b> <b>DEPARTMENT OF TRANSPORTATION</b> <b>IL ROUTE 176 (SLOCUM LAKE ROAD) OVER BANGS LAKE DRAINAGE DITCH</b> <b>EXISTING &amp; PROPOSED PLAN AND PROFILE</b>	F.A.P. RTE. 335	SECTION 145 X-T	COUNTY LAKE	TOTAL SHEETS 80	SHEET NO. 11
DATE 9/14/2011	CHECKED RJD	REVISIONS -		SCALE: 1"=50'	SHEET NO. 2 OF 2 SHEETS		CONTRACT NO. 62187	
	DRAWN GEW	REVISIONS -		SHEET NO. 2 OF 2 SHEETS		ILLINOIS FED. AID PROJECT		
	CHECKED RJD	REVISIONS -		SHEET NO. 2 OF 2 SHEETS		ILLINOIS FED. AID PROJECT		