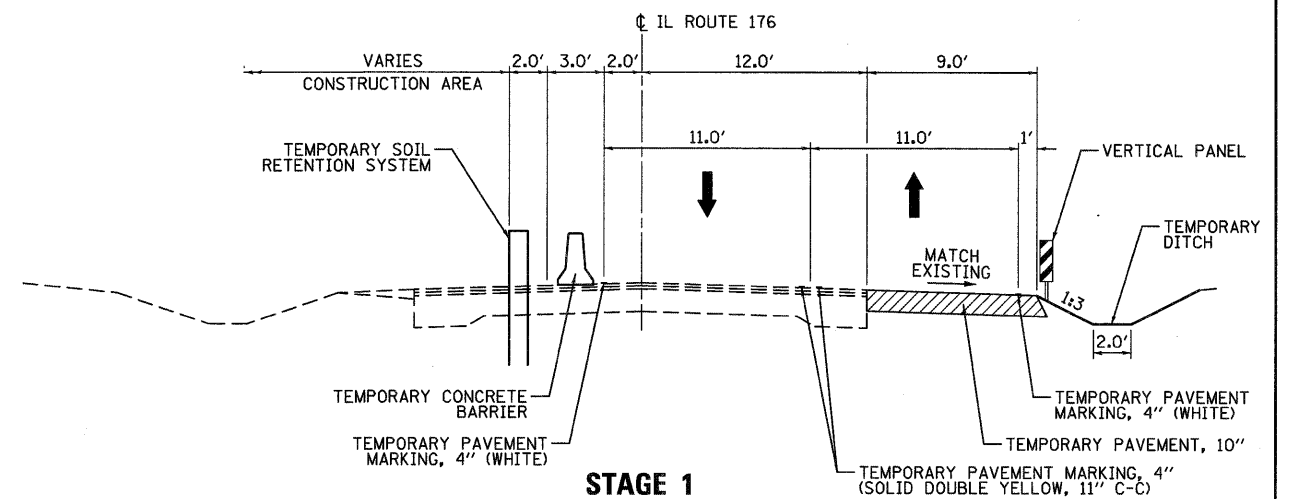
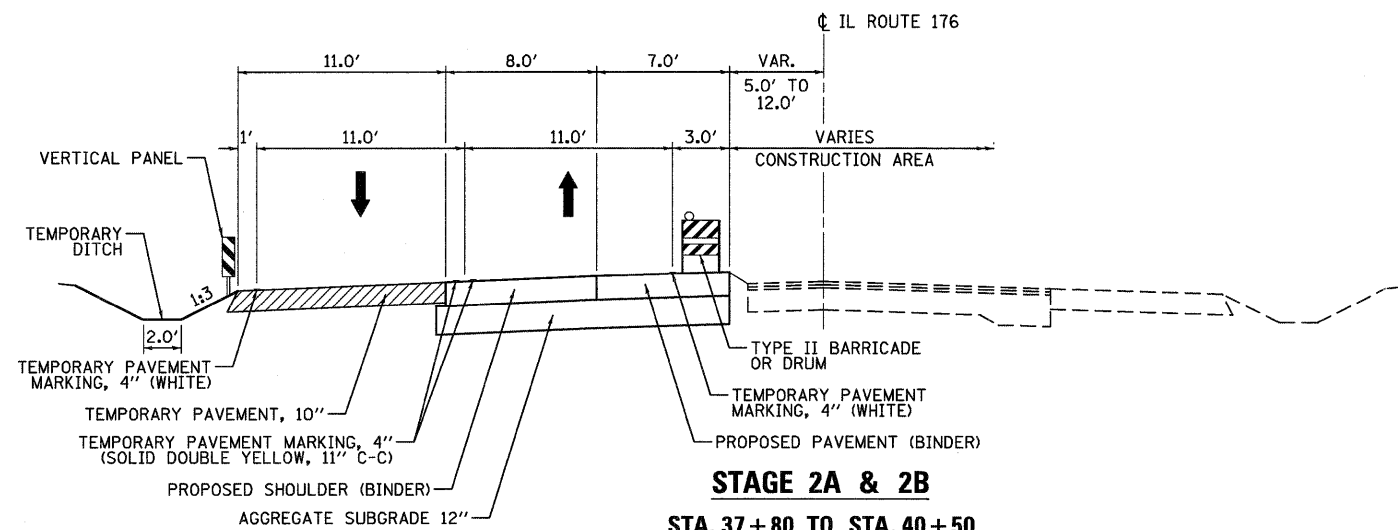


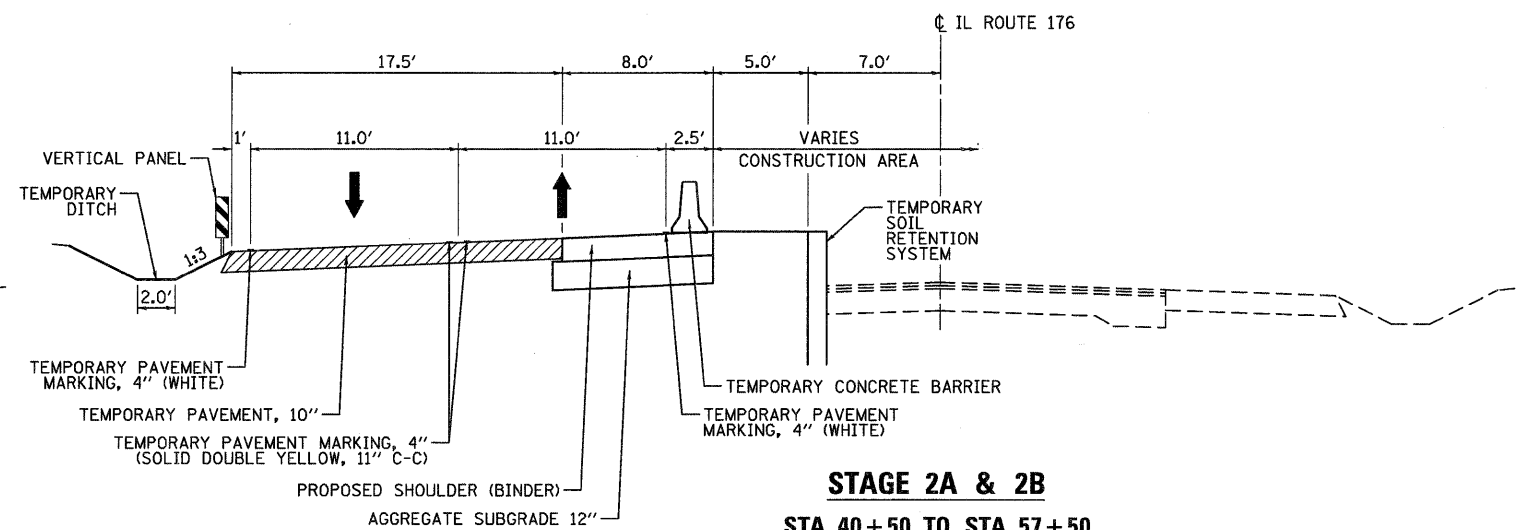
STAGE 1
 STA. 37+80 TO STA. 40+50
 STA. 57+50 TO STA. 61+00



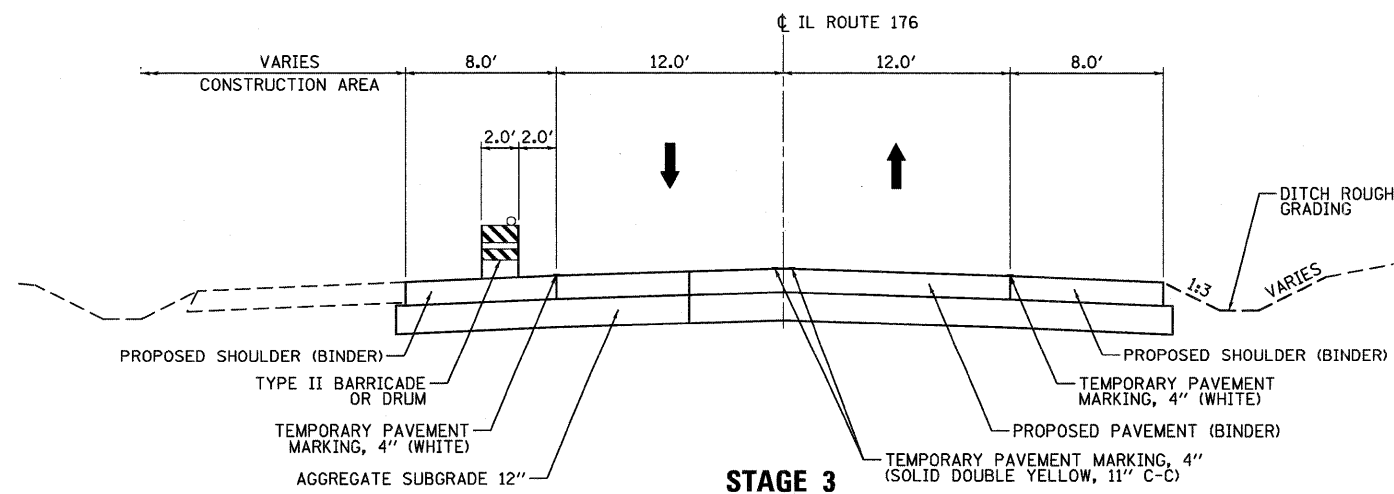
STAGE 1
 STA. 40+50 TO STA. 57+50



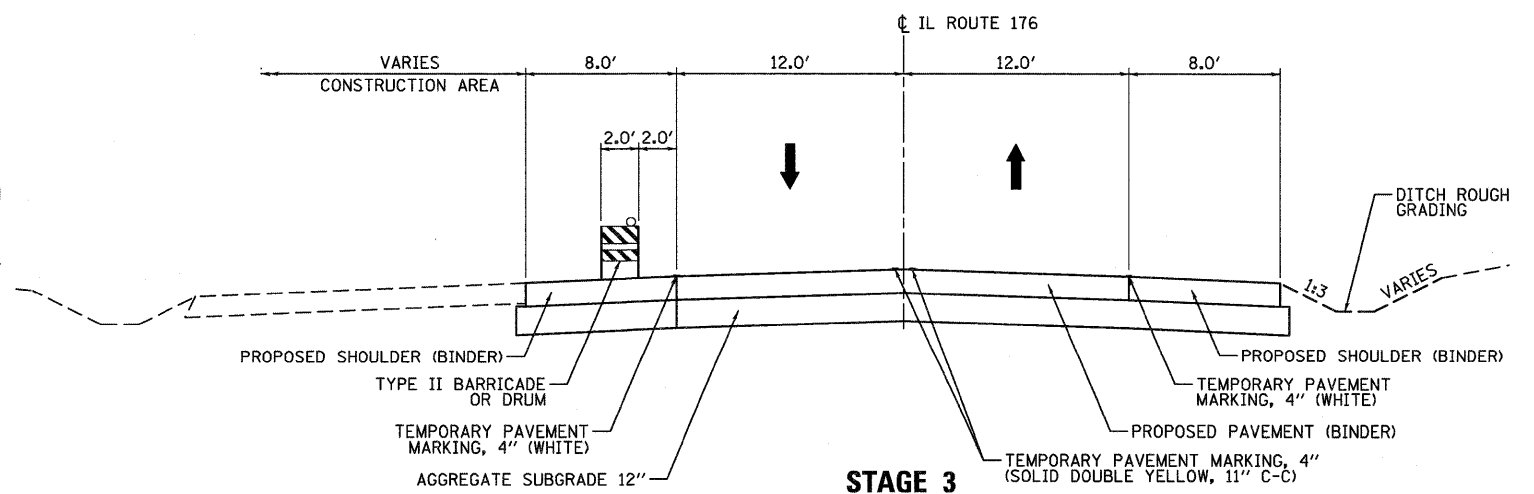
STAGE 2A & 2B
 STA. 37+80 TO STA. 40+50
 STA. 57+50 TO STA. 61+00



STAGE 2A & 2B
 STA. 40+50 TO STA. 57+50



STAGE 3
 STA. 37+80 TO STA. 40+50
 STA. 57+50 TO STA. 61+00



STAGE 3
 STA. 40+50 TO STA. 57+50

FILE NAME = ...\\D162187-shr-staging.tps\cd.dgn



DESIGNED	ADW	REVISED	-
DRAWN	GEW	REVISED	-
CHECKED	RJD	REVISED	-
DATE	9/14/2011	REVISED	-

STATE OF ILLINOIS
 DEPARTMENT OF TRANSPORTATION

IL ROUTE 176 (SLOCUM LAKE ROAD) OVER BANGS LAKE DRAINAGE DITCH		F.A.P. RTE.	SECTION	COUNTY	TOTAL SHEETS	SHEET NO.
		335	145 X-T	LAKE	80	13
SCALE: N.T.S.	SHEET NO. 2 OF 8 SHEETS	STA.	TO STA.	ILLINOIS FED. AID PROJECT		

F.A.P. RTE.	SECTION	COUNTY	TOTAL SHEETS	SHEET NO.
335	145 X-T	LAKE	80	13
CONTRACT NO. 62187				