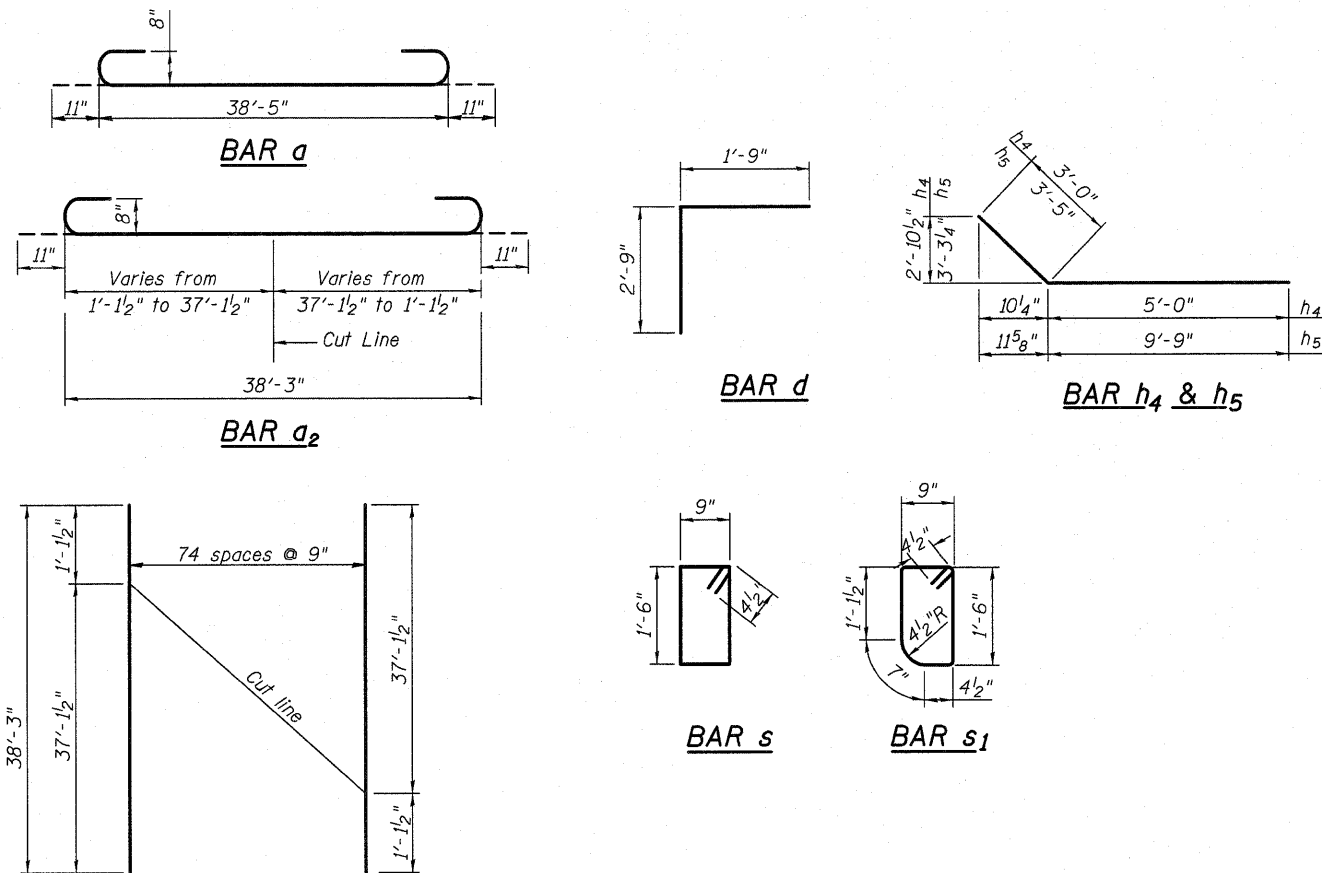


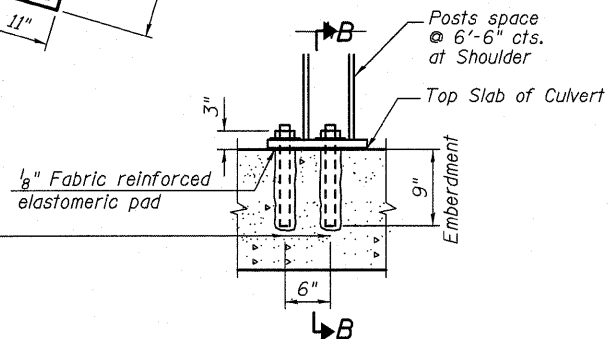
CORNER DETAILS



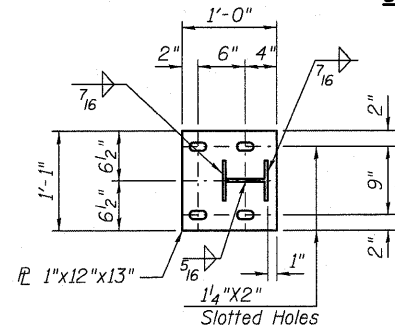
FIELD CUTTING DIAGRAM FOR a2 & a3 BARS

Order a2 & a3 bars in full length. Cut in field and use the remainder of bars in opposite end.

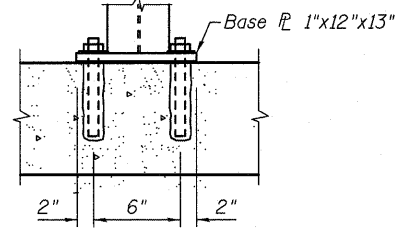
Drill & Epoxy Grout 1" Dia. H.S. Threaded Anchor Rod with Hex nuts and lock washer, drill and set according to Article 509.06 of the Standard Specification (4 each per post) Cost included with "Steel Plate Beam Guard Rail, Attached to Structures".



GUARDRAIL ANCHOR DETAIL

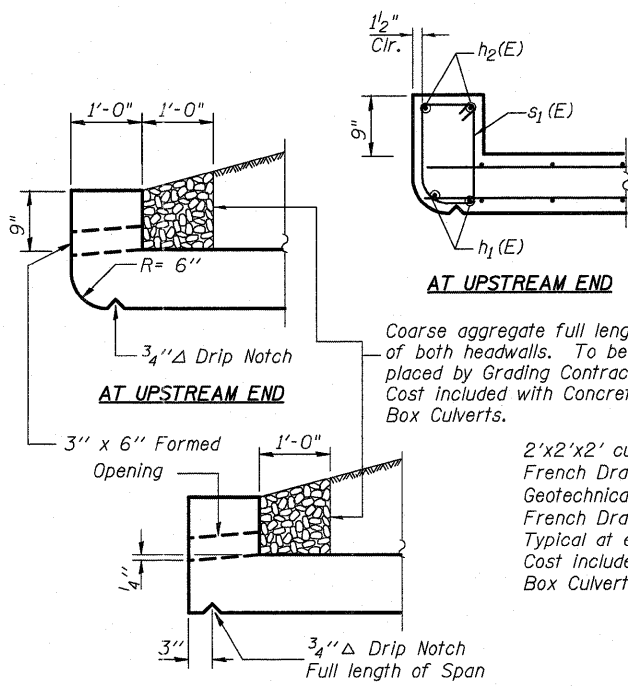


BASE PLATE DETAIL



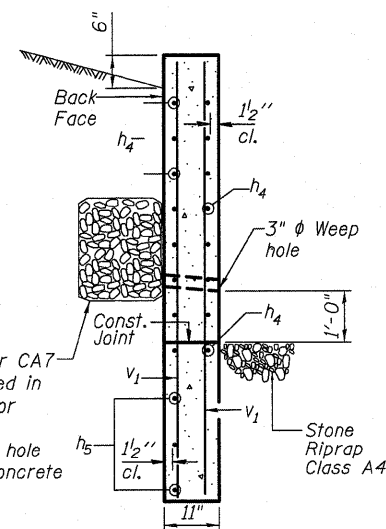
SECTION B-B

See Standard 630101 for additional information not shown.



DRAIN DETAIL

2'x2'x2' cube CA5 or CA7 French Drains wrapped in Geotechnical Fabric for French Drains Typical at each weep hole Cost included with "Concrete Box Culverts"



SECTION A-A

BILL OF MATERIAL

Bar	No.	Size	Length	Shape
a	134	#8	40'-3"	U
a1	134	#8	38'-5"	U
a2	300	#8	40'-1"	U
a3	300	#8	38'-3"	U
d	80	#4	4'-5"	I
h	392	#5	34'-4"	I
h1	588	#5	33'-9"	I
h2	36	#9	38'-3"	I
h3	36	#8	37'-9"	I
h4	11	#7	8'-0"	I
h5	9	#7	13'-2"	I
s	216	#4	5'-3"	I
s1	72	#4	5'-1"	I
v	664	#5	8'-8"	I
v1	4	#4	11'-5"	I
Concrete Box Culverts		Cu. Yd.	631.7	
Reinforcement Bars		Pound	141,630	
Bar Splicers		Each	496	

Note: Bars indicated thus 40x3-#5 etc. indicates 40 lines of bars with 3 lengths per line.