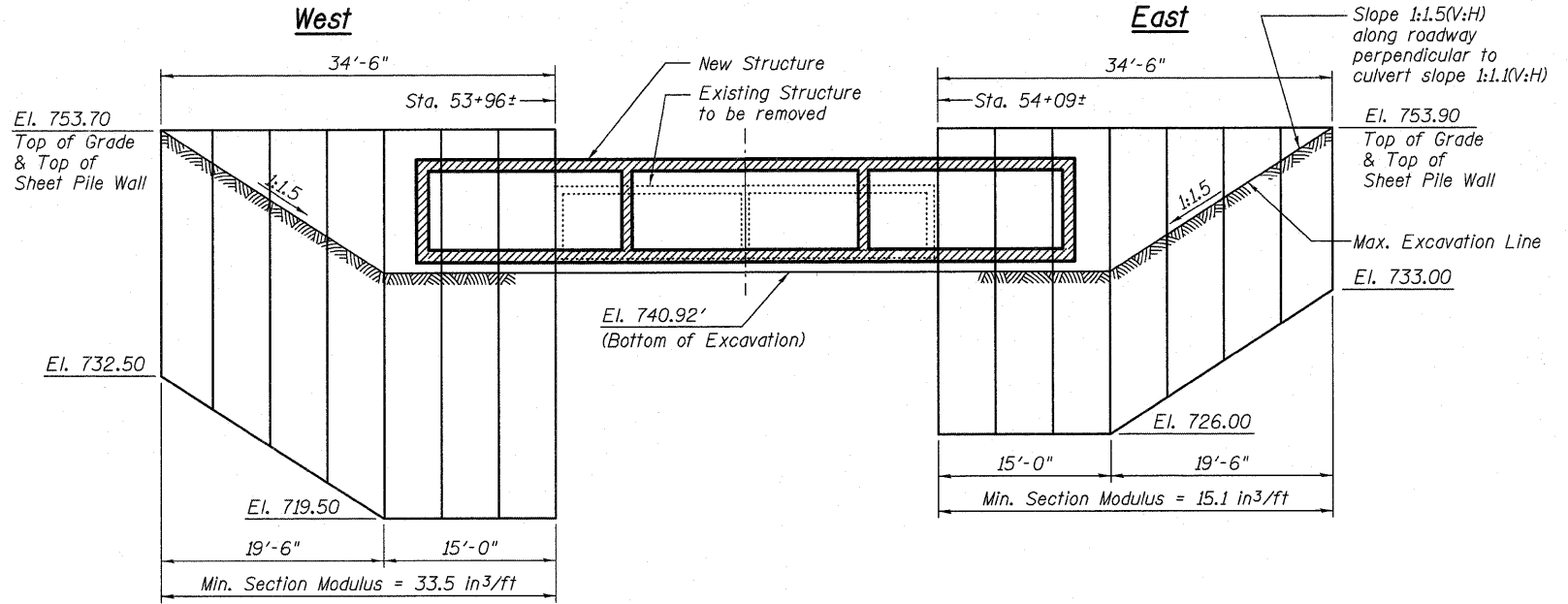
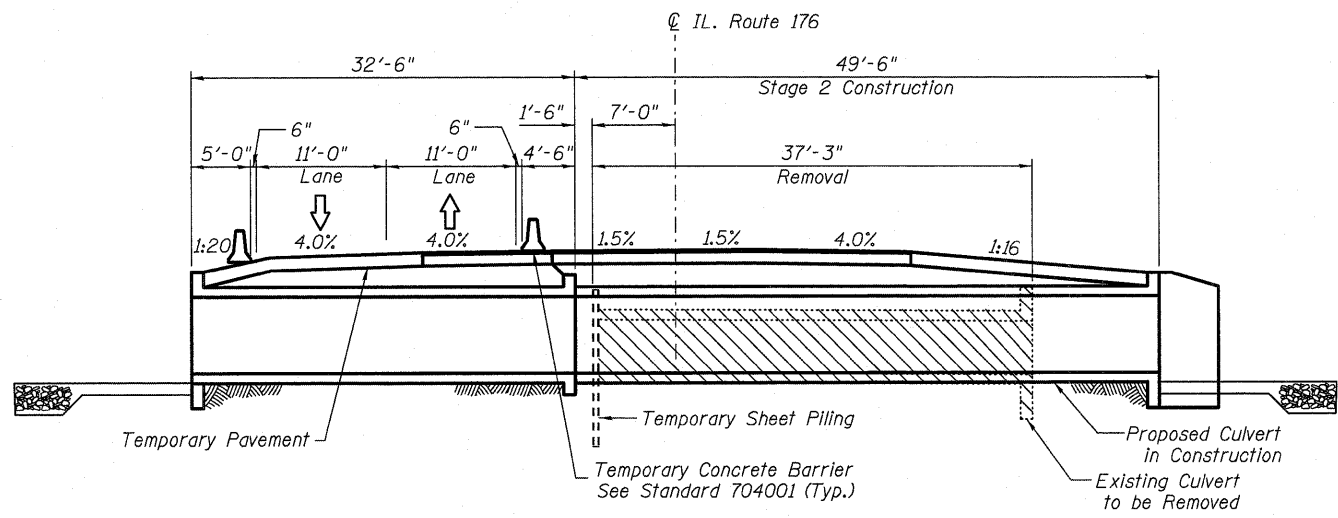


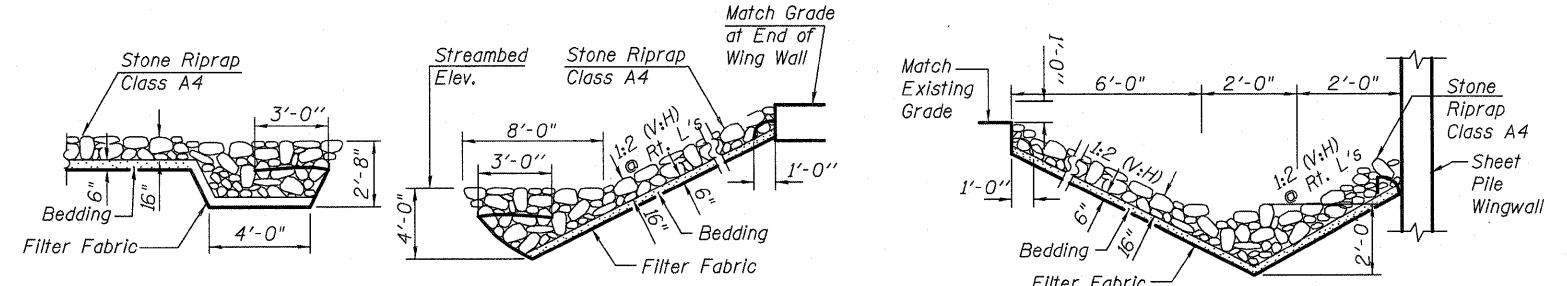
**STAGE 1 REMOVAL & CONSTRUCTION
LOOKING EAST**
(Dimensions are @ Rt. Angle to C Roadway)



ELEVATION TEMPORARY SHEET PILING
(Slopes and Distances Shown Parallel to Roadway)

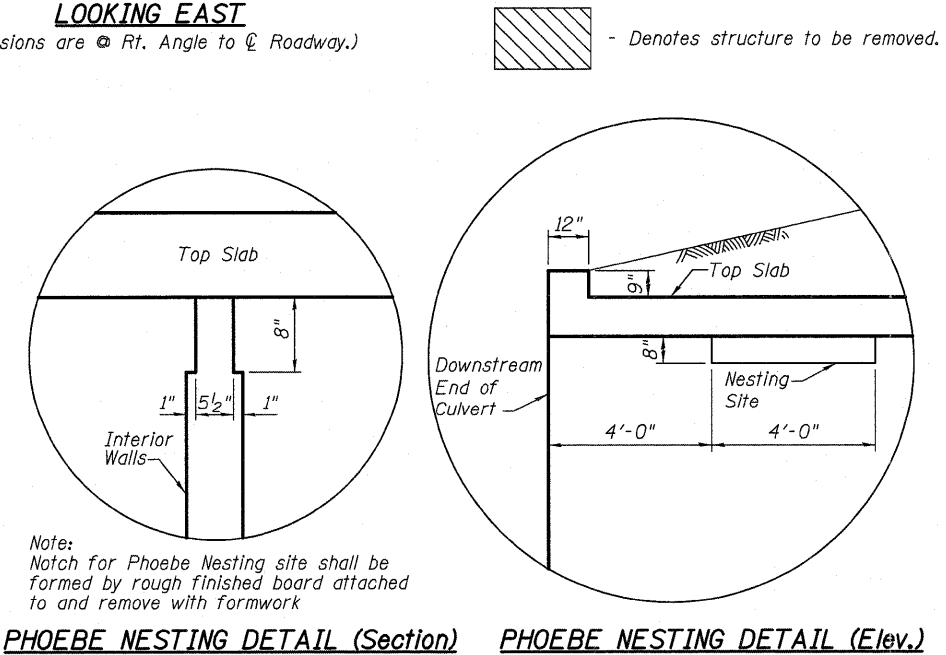


**STAGE 2 REMOVAL & CONSTRUCTION
LOOKING EAST**
(Dimensions are @ Rt. Angle to C Roadway.)

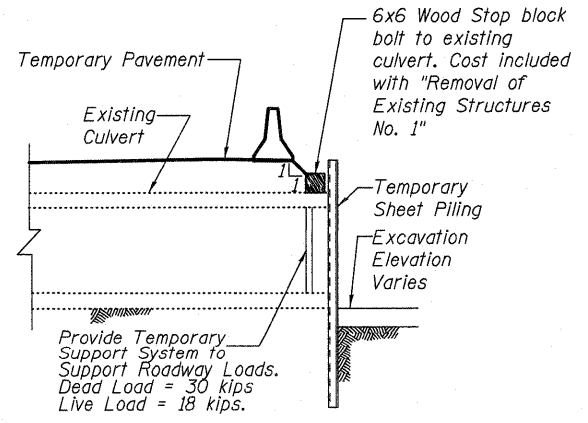


SECTION A-A RIPRAP FLANK DETAILS
SECTION B-B RIPRAP ANCHOR DETAIL
SECTION C-C RIPRAP ANCHOR DETAIL

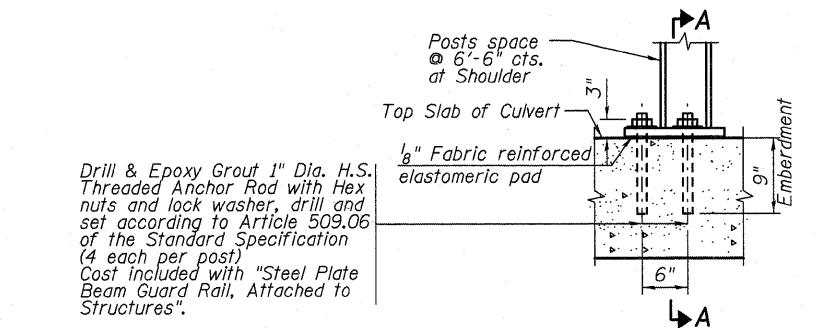
NOTES:
1. If the Contractor chooses to alter the temporary cantilevered sheet piling design requirements shown on the plans, a design submittal including plan details and calculations will be required for review and acceptance by the Engineer.



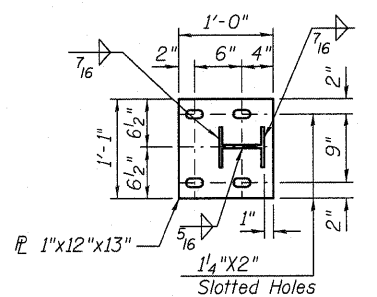
PHOEBE NESTING DETAIL (Section) **PHOEBE NESTING DETAIL (Elev.)**



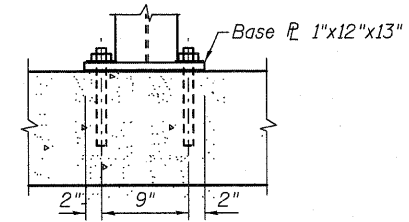
EDGE DETAIL



GUARDRAIL ANCHOR DETAIL



BASE PLATE DETAIL



SECTION A-A

See Standard 630101 for additional information not shown.



USER NAME =	DESIGNED - JSG	REVISED -
PLOT SCALE =	CHECKED - LRG	REVISED -
PLOT DATE =	DRAWN - MPS	REVISED -
	CHECKED - JXH/TPG	REVISED -

**STATE OF ILLINOIS
DEPARTMENT OF TRANSPORTATION**

**STAGE CONSTRUCTION DETAILS
STRUCTURE No. 049-0196 STA. 54 + 00.00**

F.A.P. RTE.	SECTION	COUNTY	TOTAL SHEETS	SHEET NO.
335	145 X-T	LAKE	80	46
SHEET NO. SA2 OF SA10 SHEETS			CONTRACT NO. 62187	
DATE: 11-16-2011		ILLINOIS FED. AID PROJECT		