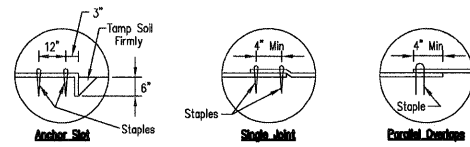
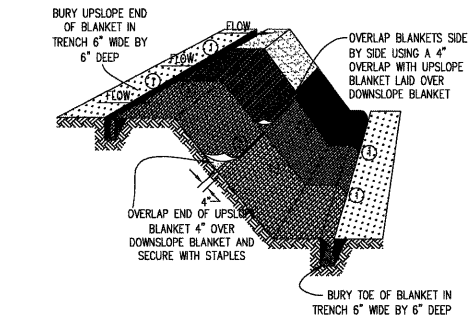
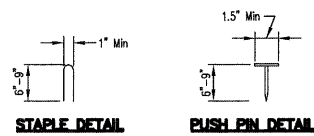


EROSION CONTROL BLANKET



DETAIL 1 DETAIL 2 DETAIL 3



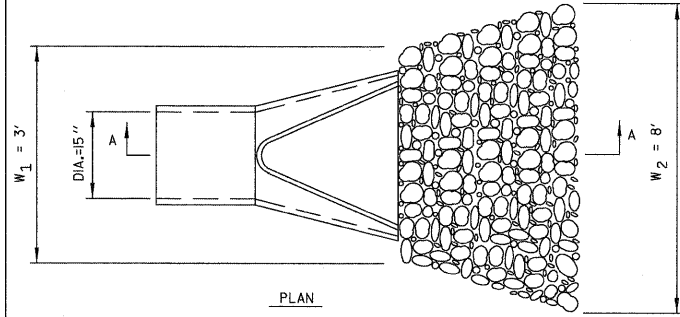
- NOTES:**
- STAPLES SHALL BE PLACED IN A DIAMOND PATTERN AT 2 PER S.Y. FOR STICED BLANKETS. NON-STICED SHALL USE 4 STAPLES PER S.Y. OF MATERIAL. THIS EQUATES TO 200 STAPLES WITH STICED BLANKET AND 400 STAPLES WITH NON-STICED BLANKET PER 100 S.Y. OF MATERIAL.
 - STAPLE OR PUSH PIN LENGTHS SHALL BE SELECTED BASED ON SOIL TYPE AND CONDITIONS. (MINIMUM STAPLE LENGTH IS 6")
 - EROSION CONTROL MATERIAL SHALL BE PLACED IN CONTACT WITH THE SOIL OVER A PREPARED SEEDBED.
 - ALL ANCHOR SLOTS SHALL BE STAPLED AT APPROXIMATELY 12" INTERVALS.

REFERENCE Project _____ Date _____
 Designed _____ Date _____
 Checked _____ Date _____
 Approved _____ Date _____

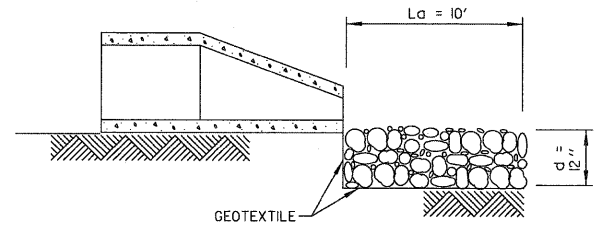
NRCS
 Natural Resource Conservation Service

STANDARD DWG. NO. **IL-530**
 SHEET 1 OF 1
 DATE 11/2008

PIPE OUTLET TO FLAT AREA



PLAN



SECTION A-A

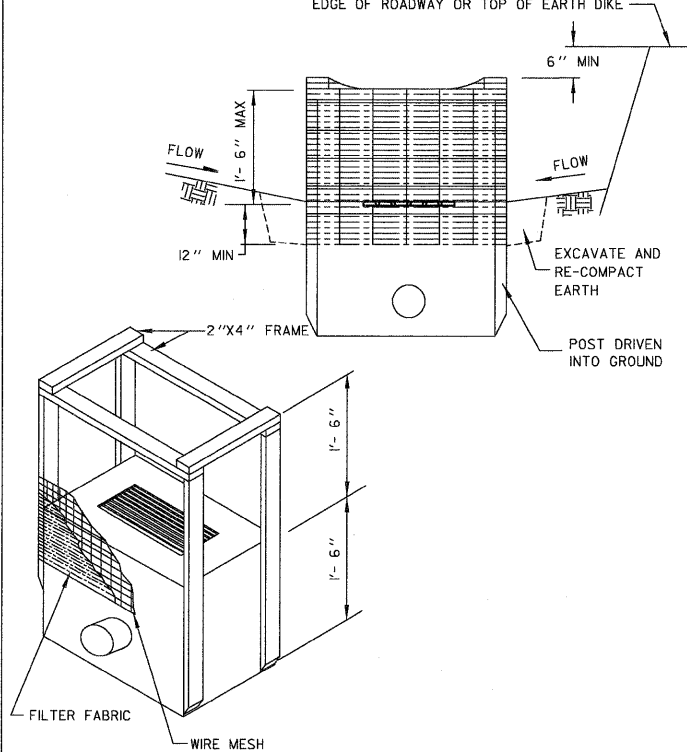
- NOTES:**
- THE FILTER FABRIC SHALL MEET THE REQUIREMENTS IN MATERIAL SPECIFICATIONS 592 GEOTEXTILE TABLE 1 OR 2, CLASS I, II OR III.
 - THE ROCK RIPRAP SHALL MEET THE IDOT REQUIREMENTS FOR A4 GRADATION. THE RIPRAP SHALL BE PLACED ACCORDING TO CONSTRUCTION SPECIFICATION 61 LOOSE ROCK RIPRAP. THE ROCK MAY BE EQUIPMENT PLACED.

REFERENCE Project _____ Date _____
 Designed _____ Date _____
 Checked _____ Date _____
 Approved _____ Date _____

NRCS
 Natural Resource Conservation Service

STANDARD DWG. NO. **IL-610**
 SHEET 1 OF 1
 DATE 9-15-93

INLET PROTECTION - FABRIC DROP PLAN



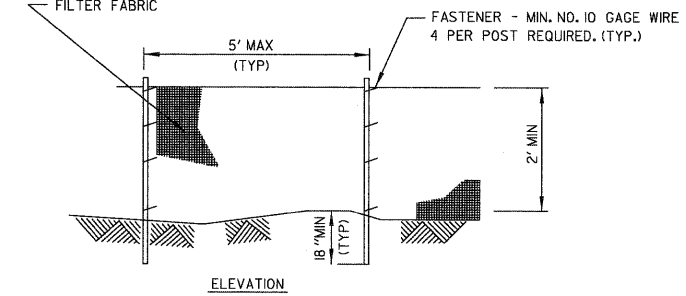
- NOTES:**
- THE FILTER FABRIC SHALL MEET THE REQUIREMENT OF MATERIAL SPECIFICATION 592 GEOTEXTILE TABLE 1 OR 2, CLASS I, WITH AN EOS OF AT LEAST 30 FOR NONWOVEN AND 50 FOR WOVEN.
 - THE WIRE MESH SHALL HAVE A MAXIMUM OPENING OF AT LEAST 6 INCHES.
 - LIMIT DRAINAGE AREA TO THE INLET PROTECTION TO 1 ACRE.

REFERENCE Project _____ Date _____
 Designed _____ Date _____
 Checked _____ Date _____
 Approved _____ Date _____

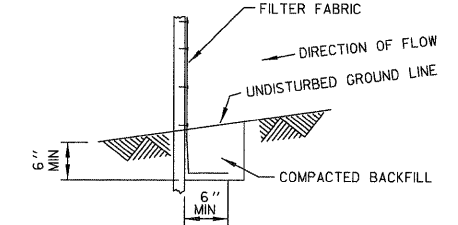
NRCS
 Natural Resource Conservation Service

STANDARD DWG. NO. **IL-560**
 SHEET 1 OF 1
 DATE 6-29-93

SILT FENCE PLAN



ELEVATION



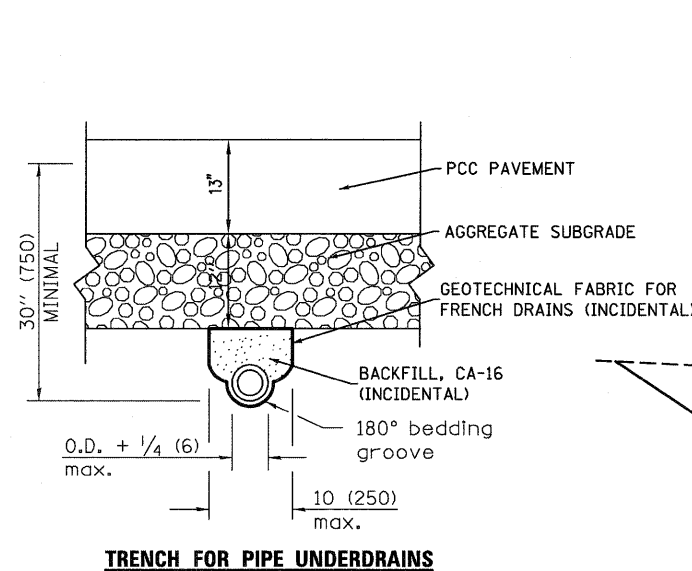
FABRIC ANCHOR DETAIL

- NOTES:**
- TEMPORARY SEDIMENT FENCE SHALL BE INSTALLED PRIOR TO ANY GRADING WORK IN THE AREA TO BE PROTECTED. THEY SHALL BE MAINTAINED THROUGHOUT THE CONSTRUCTION PERIOD AND REMOVED IN CONJUNCTION WITH THE FINAL GRADING AND SITE STABILIZATION.
 - FILTER FABRIC SHALL MEET THE REQUIREMENTS OF MATERIAL SPECIFICATION 592 GEOTEXTILE TABLE 1 OR 2, CLASS I WITH EQUIVALENT OPENING SIZE OF AT LEAST 30 FOR NONWOVEN AND 50 FOR WOVEN.
 - FENCE POSTS SHALL BE EITHER STANDARD STEEL POST OR WOOD POST WITH A MINIMUM CROSS-SECTIONAL AREA OF 3.0 SQ. IN.
 - PLACE THE END POST OF THE SECOND FENCE INSIDE THE END POST OF THE FIRST FENCE.
 - ROTATE BOTH POSTS AT LEAST 180 DEGREES IN A CLOCKWISE DIRECTION TO CREATE A TIGHT SEAL WITH THE FABRIC MATERIAL.
 - DRIVE BOTH POSTS A MINIMUM OF 18 INCHES INTO THE GROUND AND BURY THE FLAP.

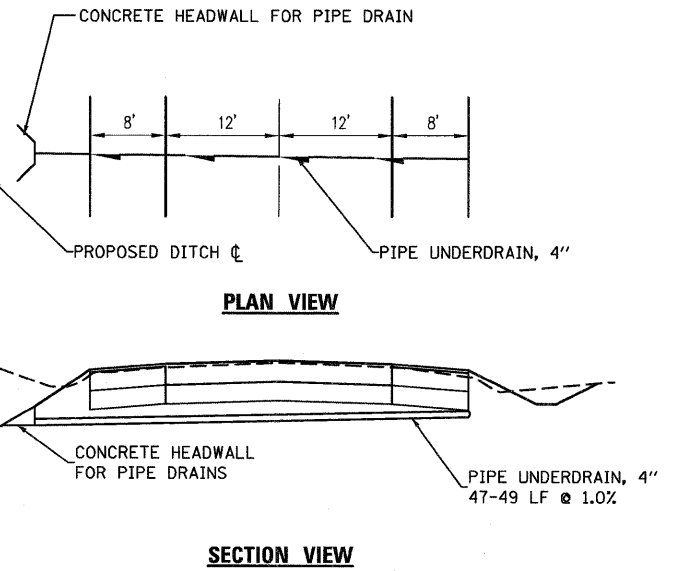
REFERENCE Project _____ Date _____
 Designed _____ Date _____
 Checked _____ Date _____
 Approved _____ Date _____

NRCS
 Natural Resource Conservation Service

STANDARD DWG. NO. **IL-620**
 SHEET 1 OF 1
 DATE 11-20-01



TRENCH FOR PIPE UNDERDRAINS

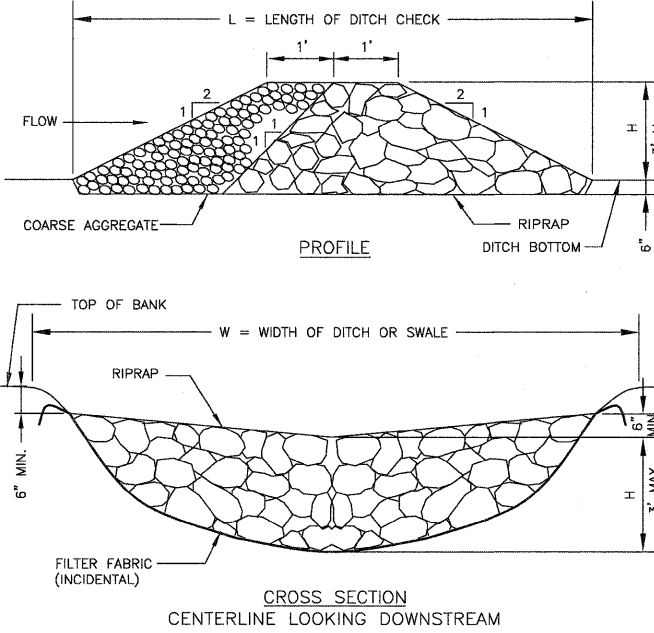


PLAN VIEW

SECTION VIEW

PIPE UNDERDRAINS

SCALE: N.T.S.



PROFILE

CROSS SECTION CENTERLINE LOOKING DOWNSTREAM

- NOTES:**
- FILTER FABRIC SHALL MEET THE REQUIREMENTS OF MATERIAL SPECIFICATION 592 GEOTEXTILE, TABLE 1 OR 2, CLASS I, II, OR IV AND SHALL BE PLACED OVER THE CLEARED AREA PRIOR TO THE PLACING OF ROCK.
 - COARSE AGGREGATE SHALL MEET ONE OF THE FOLLOWING IDOT GRADATIONS, CA-1 OR CA-3.
 - RIPRAP SHALL MEET IDOT GRADATION RR-3 OR RR-4 AND MEET QUALITY DESIGNATION A.
 - COARSE AGGREGATE AND RIPRAP SHALL BE PLACED ACCORDING TO CONSTRUCTION SPECIFICATION 25 ROCKFILL USING PLACEMENT METHOD I AND CLASS III COMPACTION.
 - FOR ADDED STABILITY, THE BASE OF THE DAM MAY BE KEYED 6 INCHES INTO THE SOIL.
 - SEE PLANS FOR SPACING OF DAMS AND H DIMENSIONS.
 - MAXIMUM DRAINAGE AREA TO EACH DAM IS 10 ACRES.

DIMENSION TABLE			
H = (FT.)	W = (FT.)	L = (FT.)	VOL = (CU.YD.)
1.0	10.0	6.0	1.4
1.5	13.0	8.0	2.2
2.0	16.0	10.0	3.1
2.5	19.0	12.0	4.3
3.0	22.0	14.0	5.5

AGGREGATE DITCH CHECKS

SCALE: N.T.S.

FILE NAME = ...\\D162187-shd-deta1s1.dgn



DESIGNED	NS	REVISED	-
DRAWN	RJD	REVISED	-
CHECKED	RJD	REVISED	-
DATE	9/14/2011	REVISED	-

STATE OF ILLINOIS DEPARTMENT OF TRANSPORTATION

IL ROUTE 176 (SLOCUM LAKE ROAD) OVER BANGS LAKE DRAINAGE DITCH MISCELLANEOUS DETAILS

SCALE: N.T.S. SHEET NO. 1 OF 1 SHEETS STA. TO STA.

F.A.P. RTE.	SECTION	COUNTY	TOTAL SHEETS	SHEET NO.
335	145 X-T	LAKE	80	56
CONTRACT NO. 62187				
ILLINOIS FED. AID PROJECT				