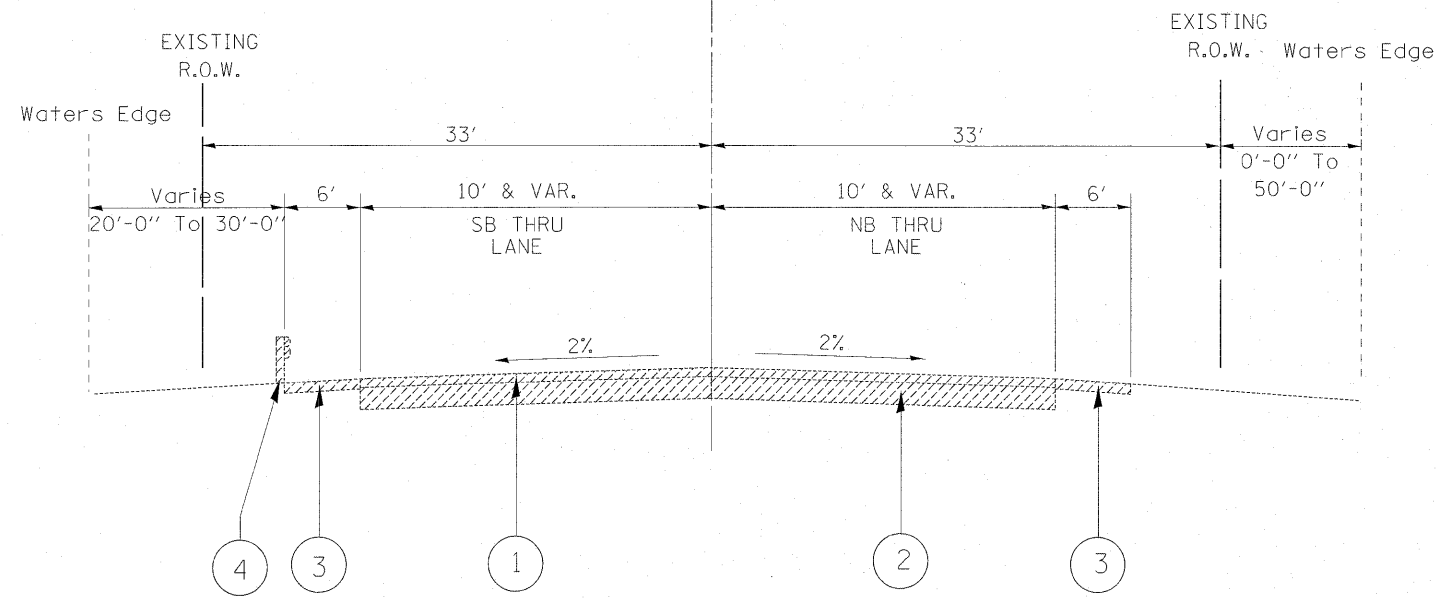


C 104TH AVE. (SOUTH LEG)



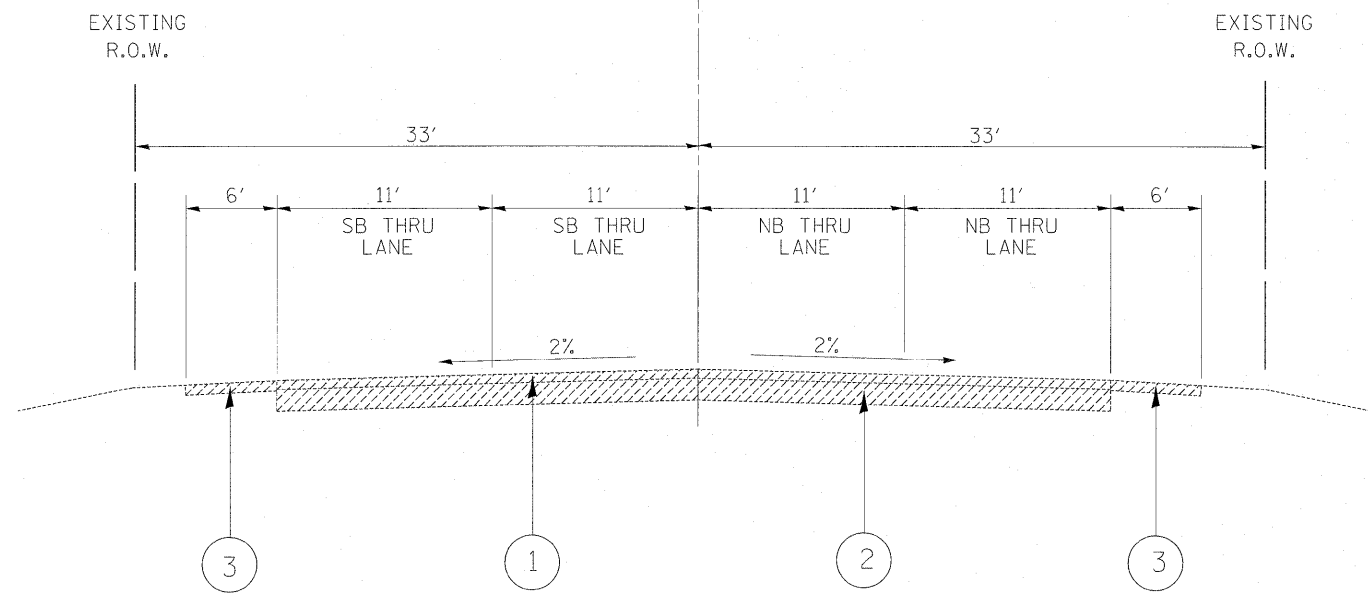
EXISTING TYPICAL SECTION
STA. 206+21 TO 215+64

LEGEND:

- ① EXIST. BITUMINOUS SURFACE, ±7"
- ② EXIST. P.C.C. PAVEMENT BASE, ±8"
- ③ EXIST. AGGREGATE SHOULDER
- ④ EXIST. GUARDRAIL
- ⑤ PROP. AGGREGATE SUBGRADE, 12"
- ⑥ PROP. HOT-MIX ASPHALT PAVEMENT (FULL DEPTH), 9 1/4"
- ⑦ PROP. HOT-MIX ASPHALT SHOULDER, 9 1/4"
- ⑧ PROP. STEEL PLATE BEAM GUARDRAIL
- ⑨ PROP. RETAINING WALL
- ⑩ PROP. GRADING AND SHAPING DITCHES
- ⑪ PROP. GRADING AND SHAPING SHOULDERS
- ⑫ PROP. AGGREGATE SHOULDERS, TYPE B

▨ DENOTES ITEMS TO BE REMOVED

C FLAVIN RD. (NORTH LEG)



EXISTING TYPICAL SECTION
STA. 215+64 TO 224+00

FILE NAME =	USER NAME = steedpe	DESIGNED -	REVISED -	STATE OF ILLINOIS DEPARTMENT OF TRANSPORTATION	EXISTING AND PROPOSED TYPICAL SECTIONS 95th STREET @ 104th AVENUE/ FLAVIN ROAD				F.A.J. RTE. 1566	SECTION 29 R-N-1	COUNTY COOK	TOTAL SHEETS 120	SHEET NO. 8
g:\pwork\pwork\stedpe\d0159915\144499-Design\dgn	PLOT SCALE = 50,0239' / 1"	DRAWN -	REVISED -						SCALE: SHEET NO. OF SHEETS STA. TO STA.				CONTRACT NO. 62377
	PLOT DATE = 1/19/2012	CHECKED -	REVISED -						ILLINOIS FED. AID PROJECT				
		DATE -	REVISED -										