

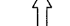
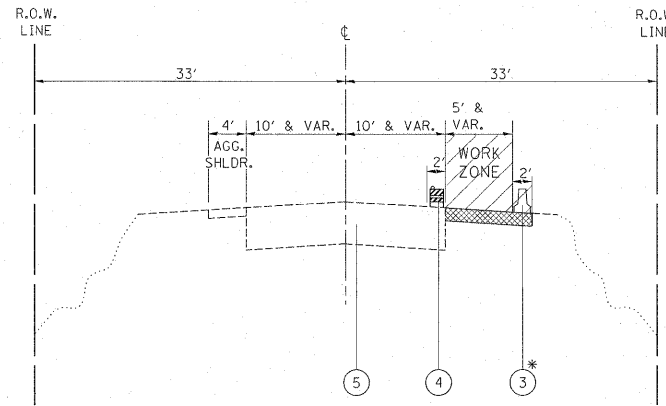


LEGEND

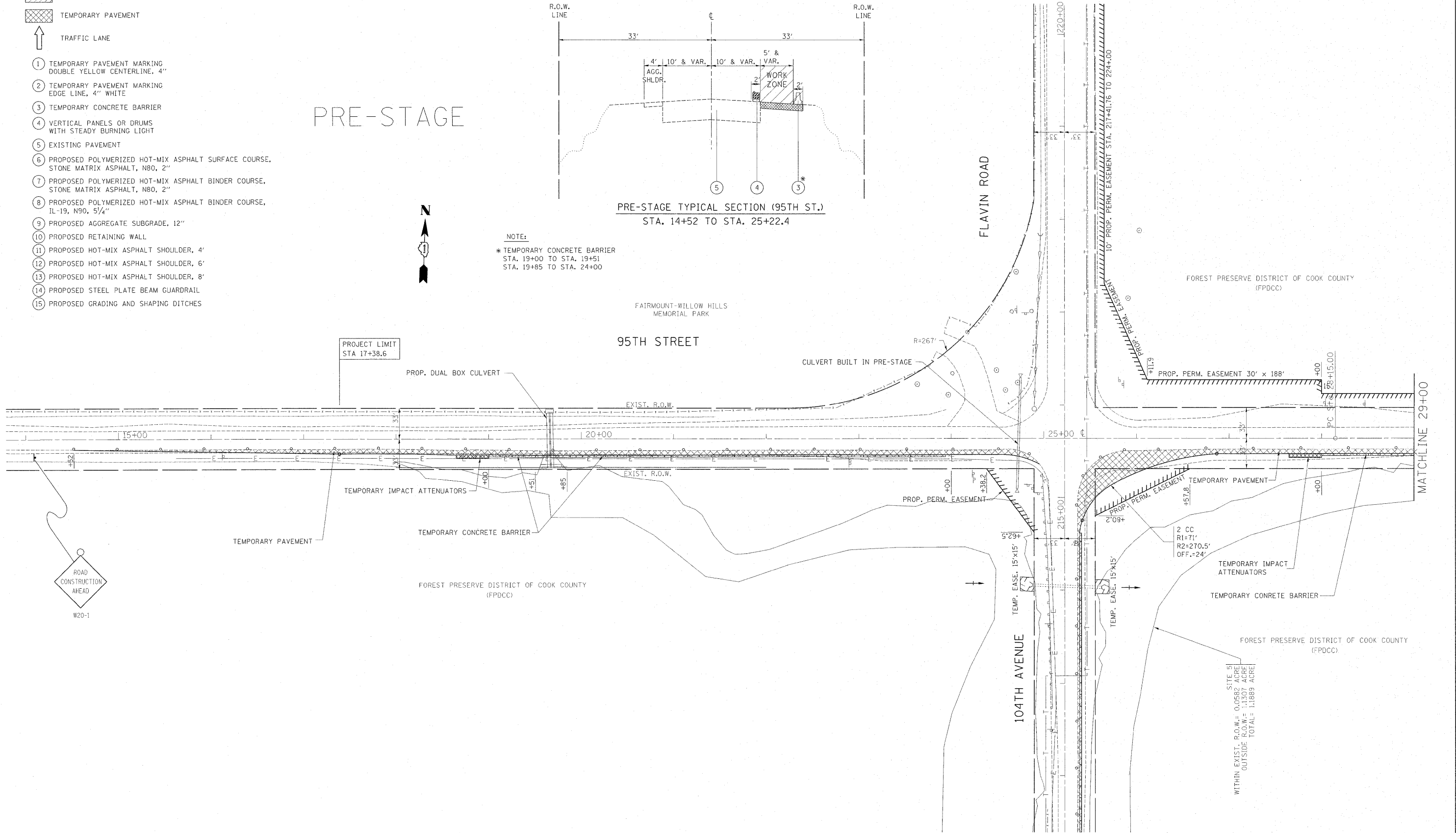
-  PAVEMENT REMOVAL
-  TEMPORARY PAVEMENT
-  TRAFFIC LANE
- ① TEMPORARY PAVEMENT MARKING
DOUBLE YELLOW CENTERLINE, 4"
- ② TEMPORARY PAVEMENT MARKING
EDGE LINE, 4" WHITE
- ③ TEMPORARY CONCRETE BARRIER
- ④ VERTICAL PANELS OR DRUMS
WITH STEADY BURNING LIGHT
- ⑤ EXISTING PAVEMENT
- ⑥ PROPOSED POLYMERIZED HOT-MIX ASPHALT SURFACE COURSE,
STONE MATRIX ASPHALT, N80, 2"
- ⑦ PROPOSED POLYMERIZED HOT-MIX ASPHALT BINDER COURSE,
STONE MATRIX ASPHALT, N80, 2"
- ⑧ PROPOSED POLYMERIZED HOT-MIX ASPHALT BINDER COURSE,
IL-19, N90, 5/4"
- ⑨ PROPOSED AGGREGATE SUBGRADE, 12"
- ⑩ PROPOSED RETAINING WALL
- ⑪ PROPOSED HOT-MIX ASPHALT SHOULDER, 4'
- ⑫ PROPOSED HOT-MIX ASPHALT SHOULDER, 6'
- ⑬ PROPOSED HOT-MIX ASPHALT SHOULDER, 8'
- ⑭ PROPOSED STEEL PLATE BEAM GUARDRAIL
- ⑮ PROPOSED GRADING AND SHAPING DITCHES

PRE-STAGE



PRE-STAGE TYPICAL SECTION (95TH ST.)
STA. 14+52 TO STA. 25+22.4

NOTE:
* TEMPORARY CONCRETE BARRIER
STA. 19+00 TO STA. 19+51
STA. 19+85 TO STA. 24+00



FILE NAME =	USER NAME = steedpa	DESIGNED -	REVISED -
c:\pw_work\pvidot\stedpa\d0159915\p14499-Design.dgn		DRAWN -	REVISED -
PLOT SCALE = 50.0000' / in.		CHECKED -	REVISED -
PLOT DATE = 12/6/2011		DATE -	REVISED -

**STATE OF ILLINOIS
DEPARTMENT OF TRANSPORTATION**

SUGGESTED STAGING AND TRAFFIC CONTROL PLAN - PRE-STAGE
95th STREET @ 104th AVENUE / FLAVIN ROAD

F.A.U. RTE. 1566	SECTION 29 R-N-1	COUNTY COOK	TOTAL SHEETS 120	SHEET NO. 18
SCALE: SHEET NO. OF SHEETS STA. TO STA.			CONTRACT NO. 62377	
(ILLINOIS) FED. AID PROJECT				

SITE 51
WITHIN EXIST. R.O.W. = 0.0582 ACRE
OUTSIDE R.O.W. = 1.1307 ACRE
TOTAL = 1.1889 ACRE