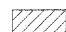


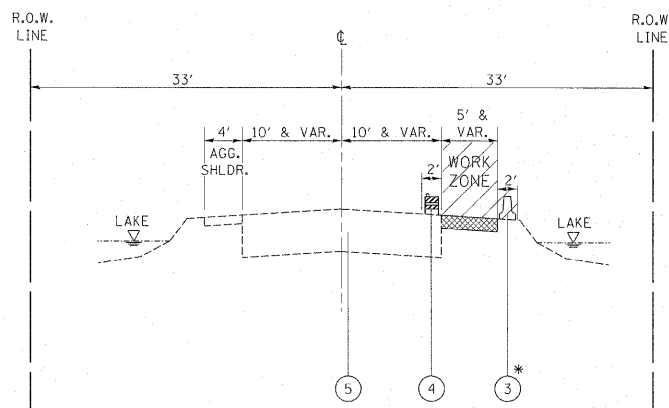


LEGEND

-  PAVEMENT REMOVAL
-  TEMPORARY PAVEMENT
-  TRAFFIC LANE

- 1 TEMPORARY PAVEMENT MARKING DOUBLE YELLOW CENTERLINE, 4"
- 2 TEMPORARY PAVEMENT MARKING EDGE LINE, 4" WHITE
- 3 TEMPORARY CONCRETE BARRIER
- 4 VERTICAL PANELS OR DRUMS WITH STEADY BURNING LIGHT
- 5 EXISTING PAVEMENT
- 6 PROPOSED POLYMERIZED HOT-MIX ASPHALT SURFACE COURSE, STONE MATRIX ASPHALT, N80, 2"
- 7 PROPOSED POLYMERIZED HOT-MIX ASPHALT BINDER COURSE, STONE MATRIX ASPHALT, N80, 2"
- 8 PROPOSED POLYMERIZED HOT-MIX ASPHALT BINDER COURSE, IL-19, N90, 5/4"
- 9 PROPOSED AGGREGATE SUBGRADE, 12"
- 10 PROPOSED RETAINING WALL
- 11 PROPOSED HOT-MIX ASPHALT SHOULDER, 4'
- 12 PROPOSED HOT-MIX ASPHALT SHOULDER, 6'
- 13 PROPOSED HOT-MIX ASPHALT SHOULDER, 8'
- 14 PROPOSED STEEL PLATE BEAM GUARDRAIL
- 15 PROPOSED GRADING AND SHAPING DITCHES

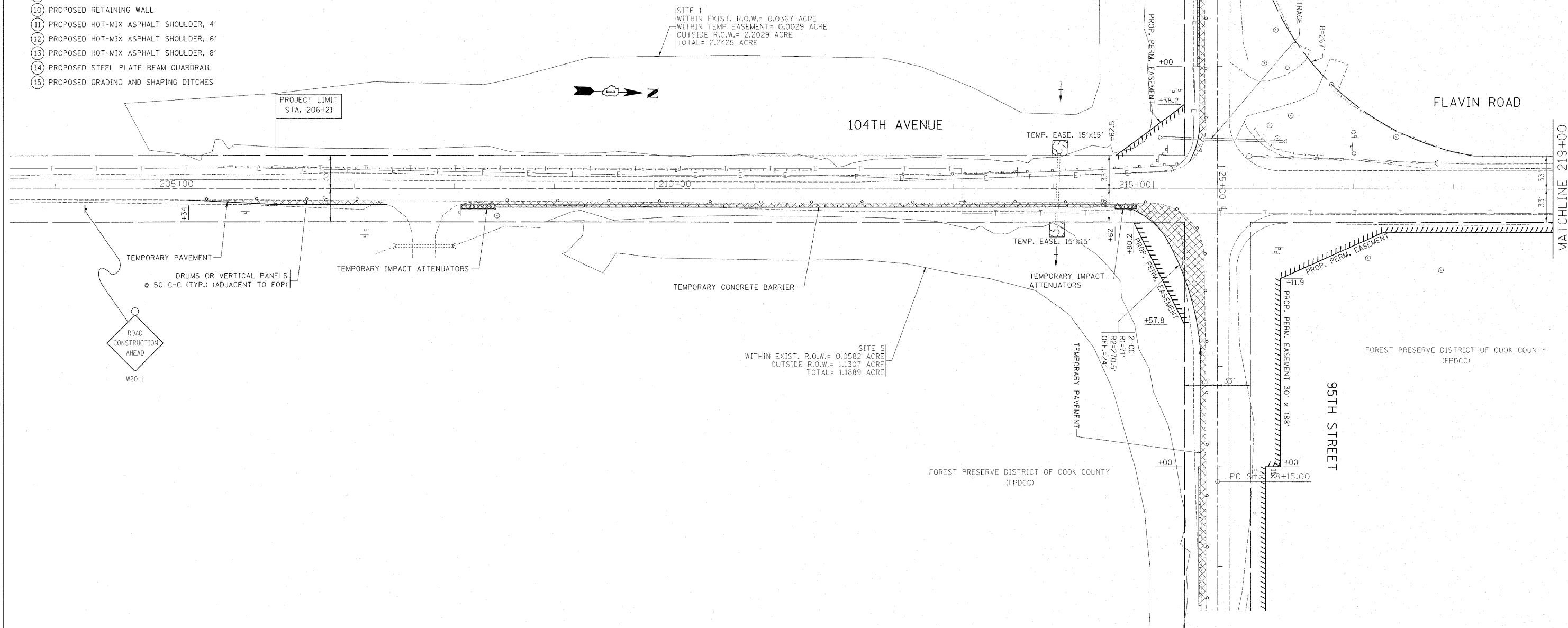
PRE-STAGE



NOTE:
* TEMPORARY CONCRETE BARRIER STA. 208+00 TO STA. 214+73

PRE-STAGE TYPICAL SECTION (104TH AVE.)
STA. 203+49 TO STA. 215+64.3

SITE 1
WITHIN EXIST. R.O.W.= 0.0367 ACRE
WITHIN TEMP EASEMENT= 0.0029 ACRE
OUTSIDE R.O.W.= 2.2029 ACRE
TOTAL= 2.2425 ACRE



SITE 51
WITHIN EXIST. R.O.W.= 0.0582 ACRE
OUTSIDE R.O.W.= 1.1307 ACRE
TOTAL= 1.1889 ACRE

FILE NAME =	USER NAME = steedpa	DESIGNED -	REVISED -
c:\pw_work\pwwidot\stedpa\d0159915\p14499-Design.dgn		DRAWN -	REVISED -
PLOT SCALE = 50.0000' / 1in.		CHECKED -	REVISED -
PLOT DATE = 12/6/2011		DATE -	REVISED -

STATE OF ILLINOIS
DEPARTMENT OF TRANSPORTATION

SUGGESTED STAGING AND TRAFFIC CONTROL PLAN - PRE-STAGE
95th STREET @ 104th AVENUE / FLAVIN ROAD

SCALE: SHEET NO. OF SHEETS STA. TO STA.

F.A.U. RTE. 1566	SECTION 29 R-N-1	COUNTY COOK	TOTAL SHEETS 120	SHEET NO. 20
CONTRACT NO. 62377				
ILLINOIS FED. AID PROJECT				