


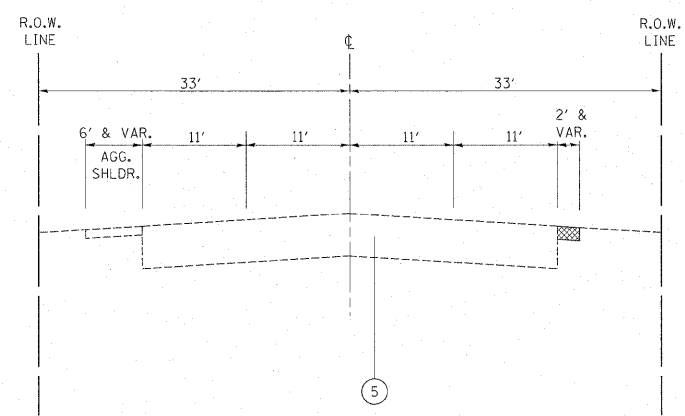


**LEGEND**

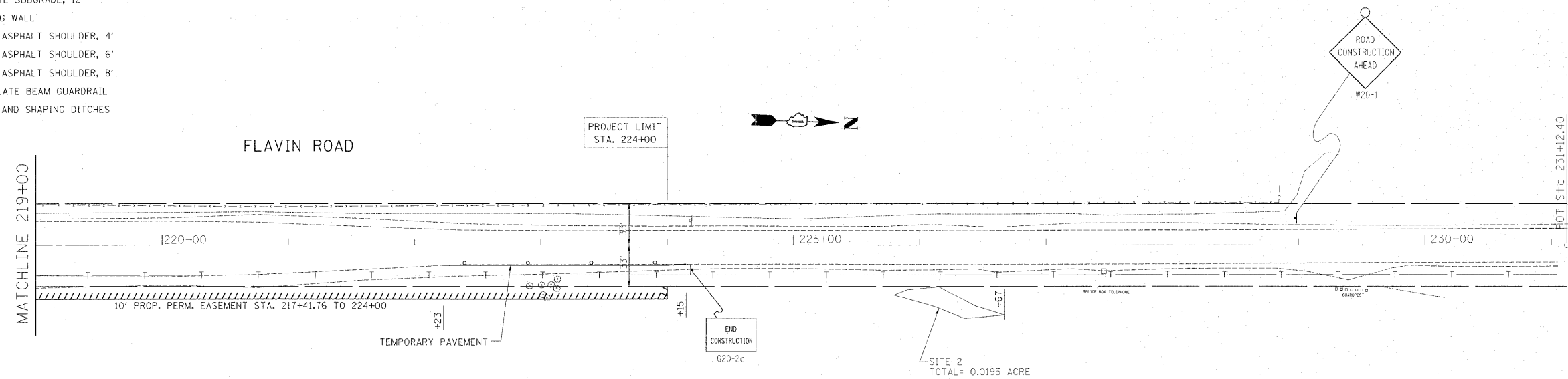
-  PAVEMENT REMOVAL
-  TEMPORARY PAVEMENT
-  TRAFFIC LANE

- ① TEMPORARY PAVEMENT MARKING  
DOUBLE YELLOW CENTERLINE, 4"
- ② TEMPORARY PAVEMENT MARKING  
EDGE LINE, 4" WHITE
- ③ TEMPORARY CONCRETE BARRIER
- ④ VERTICAL PANELS OR DRUMS  
WITH STEADY BURNING LIGHT
- ⑤ EXISTING PAVEMENT
- ⑥ PROPOSED POLYMERIZED HOT-MIX ASPHALT SURFACE COURSE,  
STONE MATRIX ASPHALT, N80, 2"
- ⑦ PROPOSED POLYMERIZED HOT-MIX ASPHALT BINDER COURSE,  
STONE MATRIX ASPHALT, N80, 2"
- ⑧ PROPOSED POLYMERIZED HOT-MIX ASPHALT BINDER COURSE,  
IL-19, N90, 5/4"
- ⑨ PROPOSED AGGREGATE SUBGRADE, 12"
- ⑩ PROPOSED RETAINING WALL
- ⑪ PROPOSED HOT-MIX ASPHALT SHOULDER, 4'
- ⑫ PROPOSED HOT-MIX ASPHALT SHOULDER, 6'
- ⑬ PROPOSED HOT-MIX ASPHALT SHOULDER, 8'
- ⑭ PROPOSED STEEL PLATE BEAM GUARDRAIL
- ⑮ PROPOSED GRADING AND SHAPING DITCHES

PRE-STAGE



PRE-STAGE TYPICAL SECTION (FLAVIN RD.)  
STA. 215+64.3 TO STA. 226+67



FILE NAME =	USER NAME = steedpa	DESIGNED -	REVISED -
ct:\pw\work\pwwid\stedpa\d0159915\p14499-Design.dgn		DRAWN -	REVISED -
PLOT SCALE = 50.0000' / in.		CHECKED -	REVISED -
PLOT DATE = 12/6/2011		DATE -	REVISED -

**STATE OF ILLINOIS  
DEPARTMENT OF TRANSPORTATION**

SUGGESTED STAGING AND TRAFFIC CONTROL PLAN - PRE-STAGE  
95th STREET @ 104th AVENUE / FLAVIN ROAD

SCALE: SHEET NO. OF SHEETS STA. TO STA.

F.A.U. RTE.	SECTION	COUNTY	TOTAL SHEETS	SHEET NO.
1566	29 R-N-1	COOK	120	21
CONTRACT NO. 62377				
ILLINOIS FED. AID PROJECT				