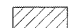


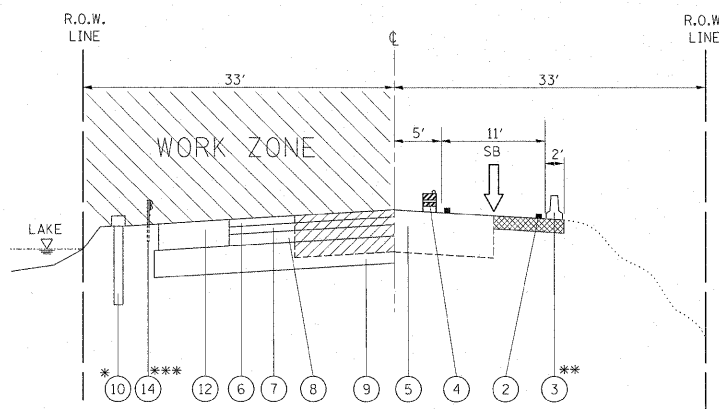


**LEGEND**

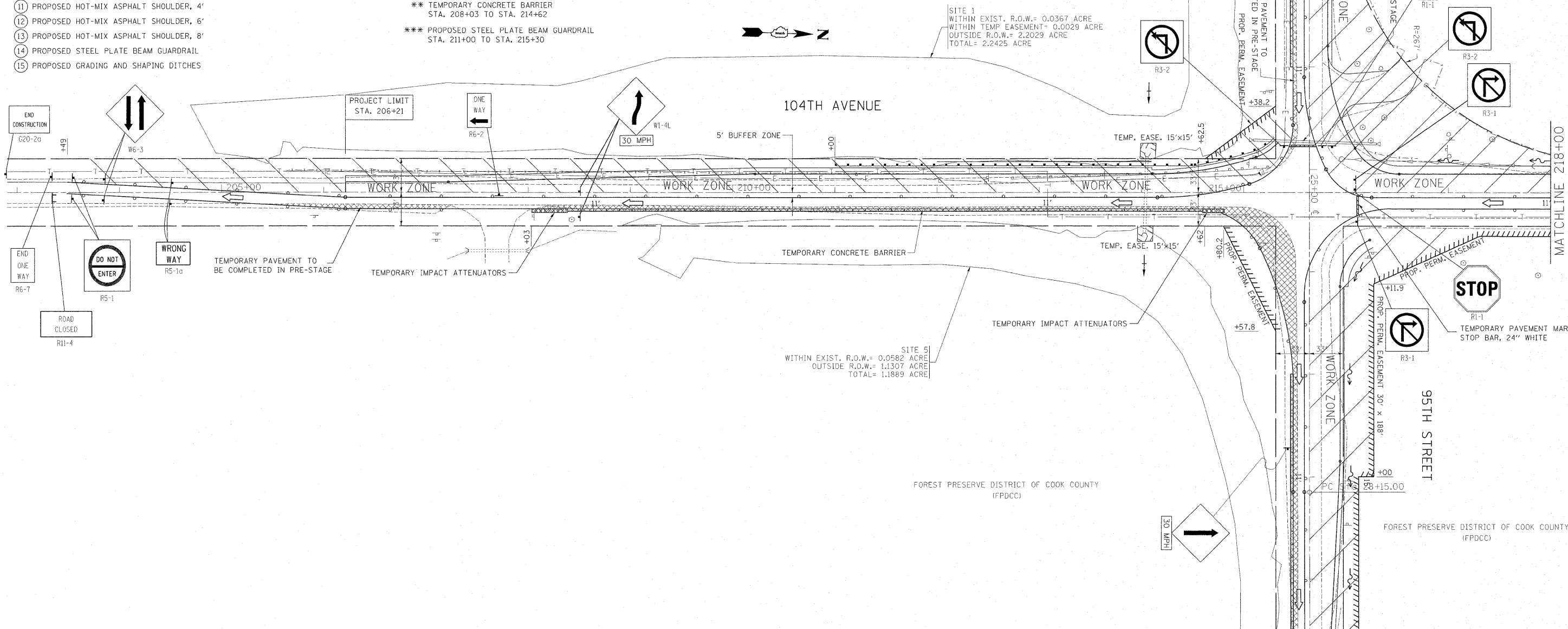
-  PAVEMENT REMOVAL
-  TEMPORARY PAVEMENT
-  TRAFFIC LANE
- ① TEMPORARY PAVEMENT MARKING  
DOUBLE YELLOW CENTERLINE, 4"
- ② TEMPORARY PAVEMENT MARKING  
EDGE LINE, 4" WHITE
- ③ TEMPORARY CONCRETE BARRIER
- ④ VERTICAL PANELS OR DRUMS  
WITH STEADY BURNING LIGHT
- ⑤ EXISTING PAVEMENT
- ⑥ PROPOSED POLYMERIZED HOT-MIX ASPHALT SURFACE COURSE,  
STONE MATRIX ASPHALT, N80, 2"
- ⑦ PROPOSED POLYMERIZED HOT-MIX ASPHALT BINDER COURSE,  
STONE MATRIX ASPHALT, N80, 2"
- ⑧ PROPOSED POLYMERIZED HOT-MIX ASPHALT BINDER COURSE,  
1L-19, N90, 5/4"
- ⑨ PROPOSED AGGREGATE SUBGRADE, 12"
- ⑩ PROPOSED RETAINING WALL
- ⑪ PROPOSED HOT-MIX ASPHALT SHOULDER, 4'
- ⑫ PROPOSED HOT-MIX ASPHALT SHOULDER, 6'
- ⑬ PROPOSED HOT-MIX ASPHALT SHOULDER, 8'
- ⑭ PROPOSED STEEL PLATE BEAM GUARDRAIL
- ⑮ PROPOSED GRADING AND SHAPING DITCHES



**STAGE I**

**NOTE:**  
 \* PROPOSED PERMANENT RETAINING WALL  
 STA. 212+00 TO STA. 214+00  
 (WILL BE BUILT 3' FROM THE EXISTING R.O.W.)  
 \*\* TEMPORARY CONCRETE BARRIER  
 STA. 208+03 TO STA. 214+62  
 \*\*\* PROPOSED STEEL PLATE BEAM GUARDRAIL  
 STA. 211+00 TO STA. 215+30

**STAGE I TYPICAL SECTION (104TH AVE.)  
 STA. 203+49 TO STA. 215+64.3**



FILE NAME =	USER NAME = steedpa	DESIGNED -	REVISED -
si:\pw_work\p\idot\steedpa\d0159915\p144499-Design.dgn		DRAWN -	REVISED -
PLOT SCALE = 50.0000' / in.		CHECKED -	REVISED -
PLOT DATE = 12/6/2011		DATE -	REVISED -

**STATE OF ILLINOIS  
 DEPARTMENT OF TRANSPORTATION**

**SUGGESTED STAGING AND TRAFFIC CONTROL PLAN - STAGE I  
 95th STREET @ 104th AVENUE / FLAVIN ROAD**

F.A.U. RTE.	SECTION	COUNTY	TOTAL SHEETS	SHEET NO.
1566	29 R-N-1	COOK	120	24
CONTRACT NO. 62377				
ILLINOIS FED. AID PROJECT				

SCALE: SHEET NO. OF SHEETS STA. TO STA.