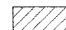


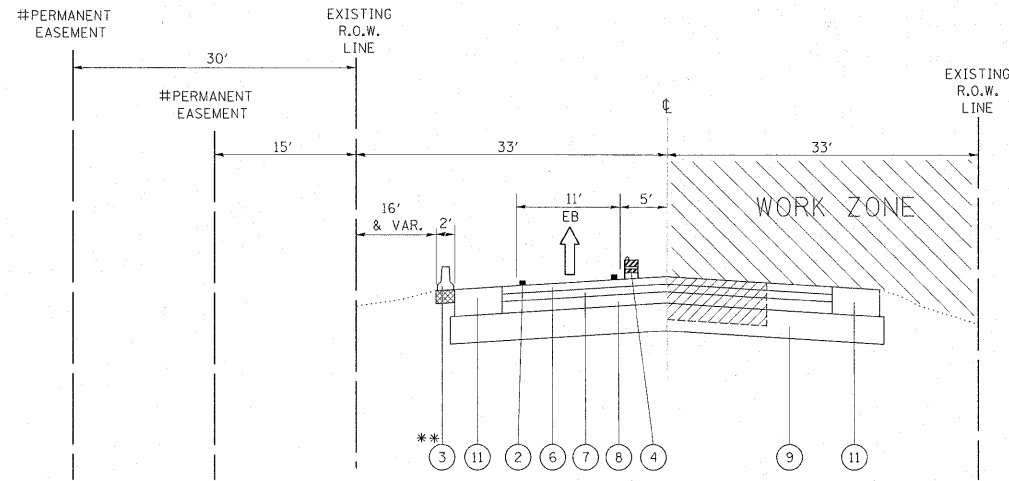
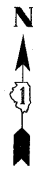


LEGEND

-  PAVEMENT REMOVAL
-  TEMPORARY PAVEMENT*
-  TRAFFIC LANE

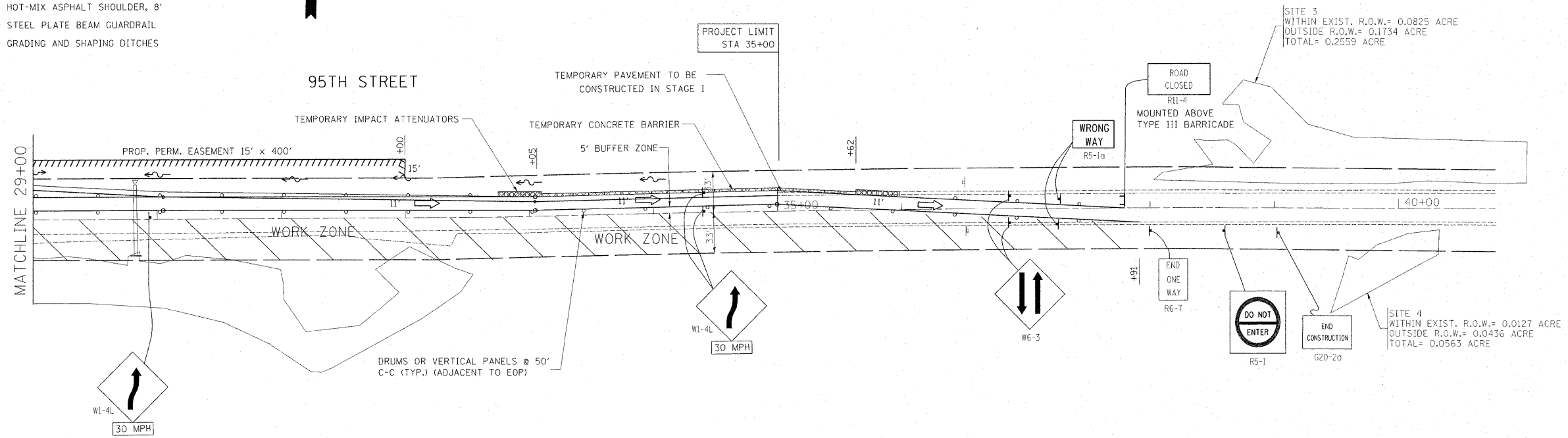
- ① TEMPORARY PAVEMENT MARKING DOUBLE YELLOW CENTERLINE, 4"
- ② TEMPORARY PAVEMENT MARKING EDGE LINE, 4" WHITE
- ③ TEMPORARY CONCRETE BARRIER
- ④ VERTICAL PANELS OR DRUMS WITH STEADY BURNING LIGHT
- ⑤ EXISTING PAVEMENT
- ⑥ PROPOSED POLYMERIZED HOT-MIX ASPHALT SURFACE COURSE, STONE MATRIX ASPHALT, N80, 2"
- ⑦ PROPOSED POLYMERIZED HOT-MIX ASPHALT BINDER COURSE, STONE MATRIX ASPHALT, N80, 2"
- ⑧ PROPOSED POLYMERIZED HOT-MIX ASPHALT BINDER COURSE, IL-19, N90, 5/4"
- ⑨ PROPOSED AGGREGATE SUBGRADE, 12"
- ⑩ PROPOSED RETAINING WALL
- ⑪ PROPOSED HOT-MIX ASPHALT SHOULDER, 4'
- ⑫ PROPOSED HOT-MIX ASPHALT SHOULDER, 6'
- ⑬ PROPOSED HOT-MIX ASPHALT SHOULDER, 8'
- ⑭ PROPOSED STEEL PLATE BEAM GUARDRAIL
- ⑮ PROPOSED GRADING AND SHAPING DITCHES

STAGE II



STAGE II TYPICAL SECTION (95TH ST.)
STA. 25+22.4 TO STA. 37+91

- NOTE:**
- * TEMPORARY PAVEMENT STA. 33+05 TO STA. 35+62
 - ** TEMPORARY CONCRETE BARRIER STA. 33+10 TO STA. 35+62
 - # PERMANENT EASEMENT (30' DISTANCE FROM R.O.W.) STA. 26+11 TO STA. 28+00
 - # PERMANENT EASEMENT (15' DISTANCE FROM R.O.W.) STA. 28+00 TO STA. 32+00



FILE NAME =	USER NAME = steedpa	DESIGNED -	REVISED -
ct:\pw_work\p\dot\stedpa\d0159915\p14499-Design.dgn		DRAWN -	REVISED -
PLOT SCALE = 50.0000' / in.		CHECKED -	REVISED -
PLOT DATE = 12/6/2011		DATE -	REVISED -

**STATE OF ILLINOIS
DEPARTMENT OF TRANSPORTATION**

SUGGESTED STAGING AND TRAFFIC CONTROL PLAN - STAGE II
95th STREET @ 104th AVENUE / FLAVIN ROAD

SCALE: SHEET NO. OF SHEETS STA. TO STA.

F.A.U. RTE.	SECTION	COUNTY	TOTAL SHEETS	SHEET NO.
1566	29 R-N-1	COOK	120	27
CONTRACT NO. 62377				
ILLINOIS FED. AID PROJECT				