

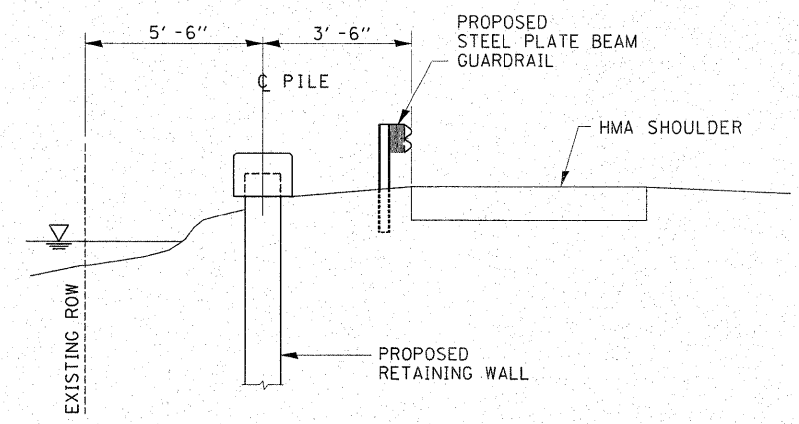
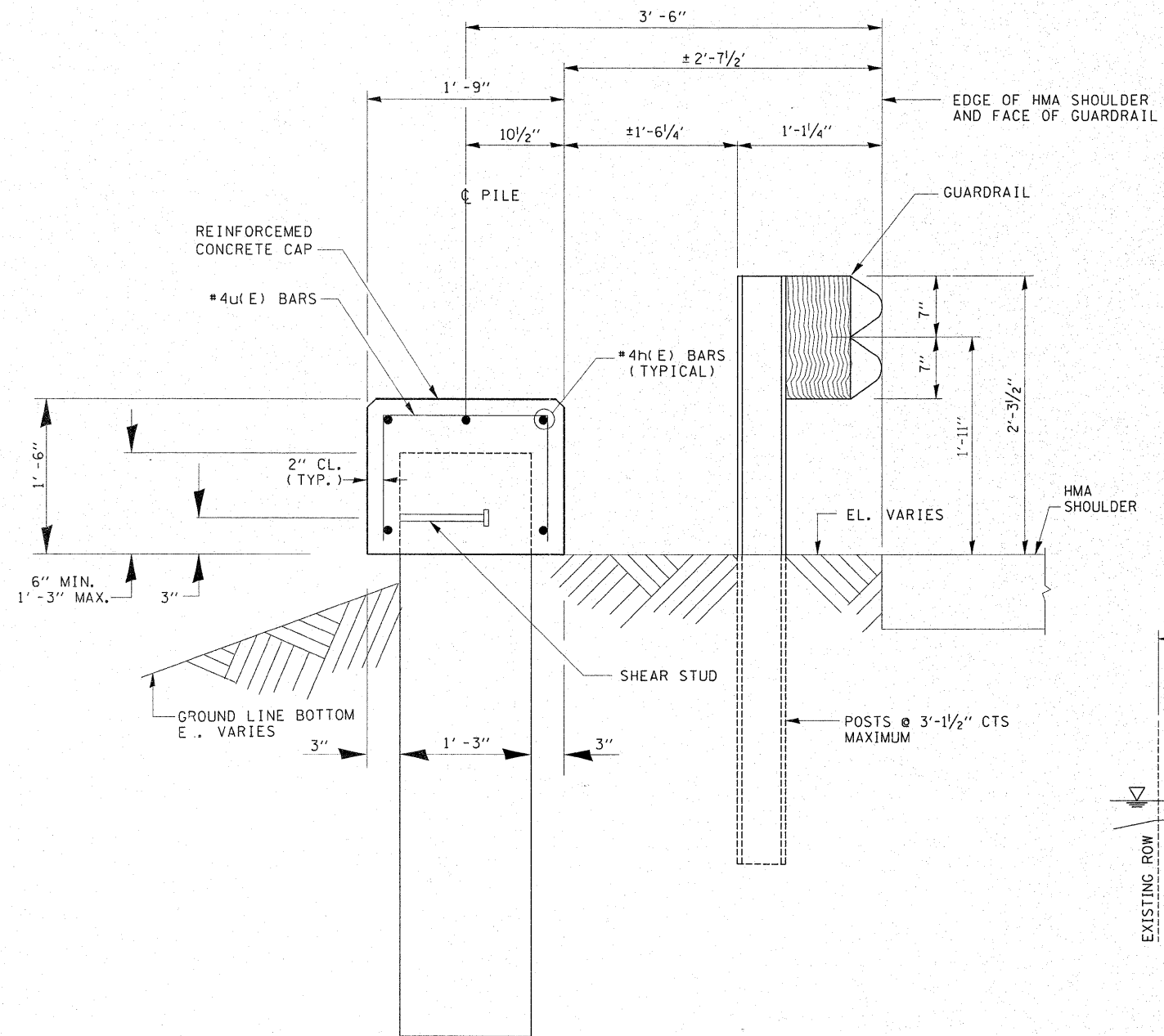
**BILL OF MATERIALS  
EAST RETAINING WALL**

BAR	NO.	SIZE	LENGTH	SHAPE
h(E)	40	#4	27'-9"	—
u(E)	422	#4	3'-9"	L
REINFORCEMENT BARS, EPOXY COATED			POUND	1800
CONCRETE STRUCTURES			CU. YDS	20.4
PERMANENT STEEL SHEET PILING			SO. FT.	3900
STUD SHEAR CONNECTORS			EACH	59

**BILL OF MATERIALS  
WEST RETAINING WALL**

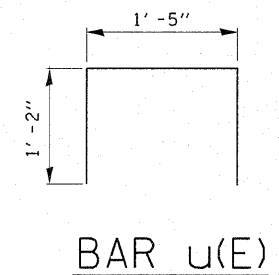
BAR	NO.	SIZE	LENGTH	SHAPE
h(E)	40	#4	27'-9"	—
u(E)	422	#4	3'-9"	L
REINFORCEMENT BARS, EPOXY COATED			POUND	1800
CONCRETE STRUCTURES			CU. YDS	20.4
PERMANENT STEEL SHEET PILING			SO. FT.	3560
STUD SHEAR CONNECTORS			EACH	57

REINFORCEMENT BARS DESIGNATED (E) SHALL BE EPOXY COATED.  
BARS INDICATED 2x8-#4h(E) BARS INDICATES 2 LINES OF BARS WITH 8 LENGTHS PER LINE.



**STEEL SHEET PILE SECTION A-A**

**TYPICAL DETAIL  
PROPOSED RETAINING WALL**



**BAR u(E)**

BAR LAP TABLE	
SIZE	LENGTH
#4	1' - 8"

REVISIONS	
NAME	DATE

ILLINOIS DEPARTMENT OF TRANSPORTATION  
95TH STREET  
AT 104TH AVENUE/FLAVIN ROAD  
NORTHBOUND AND SOUTHBOUND  
RETAINING WALLS  
SECTIONS AND DETAILS  
SCALE: VERT. \_\_\_\_\_  
HORIZ. \_\_\_\_\_  
DRAWN BY: MVT  
CHECKED BY: RTB