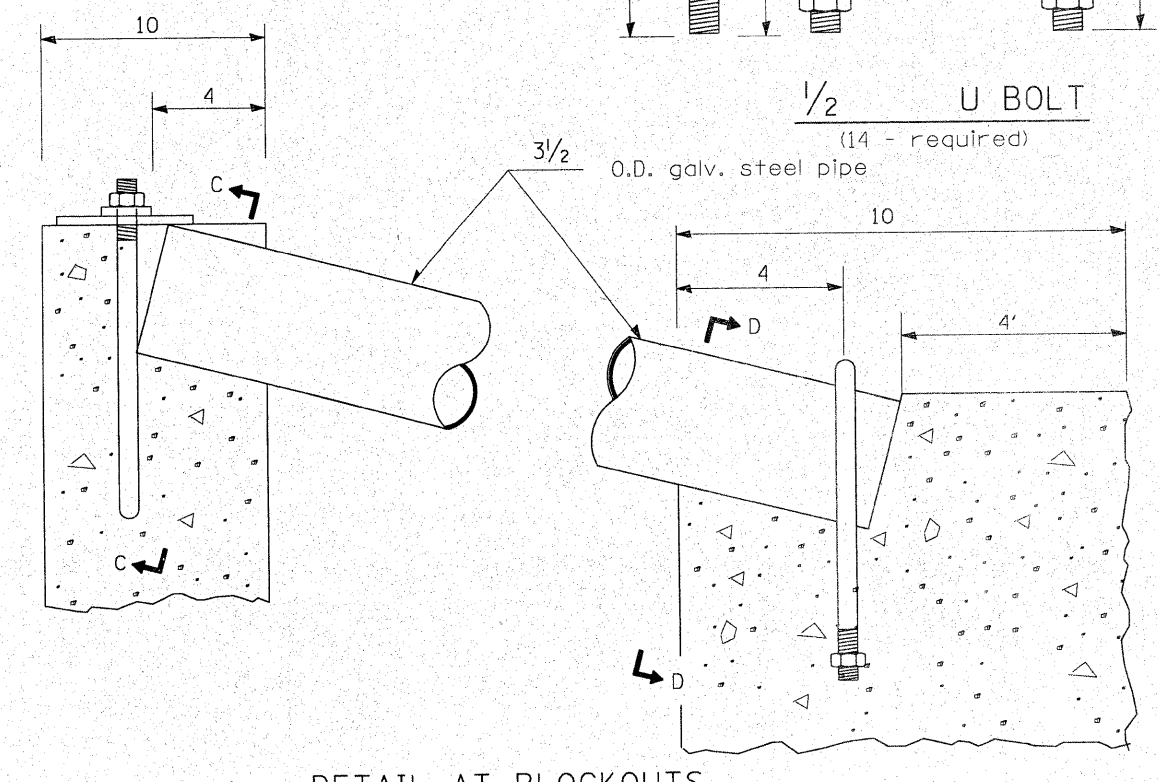
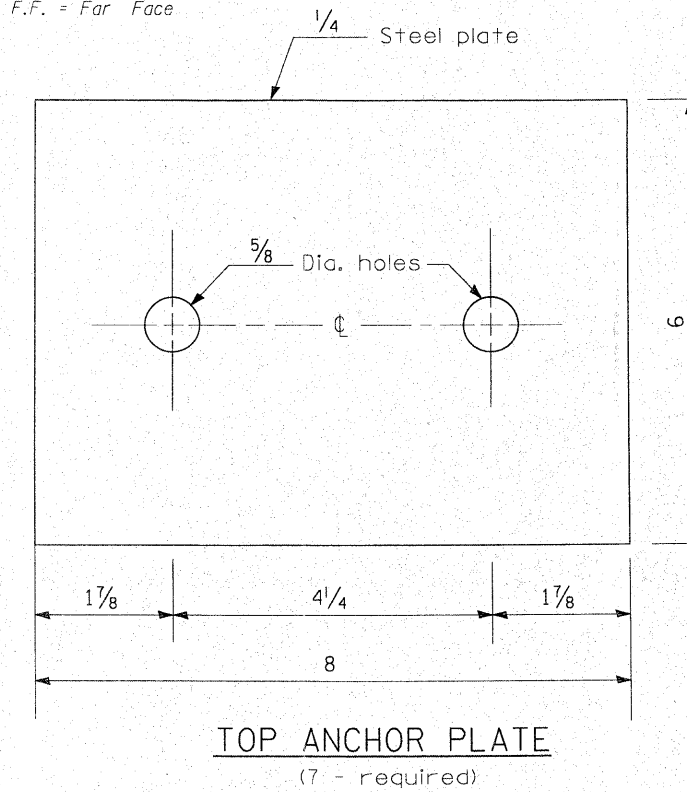


LEGEND
E.F. = Each Face
N.F. = Near Face
F.F. = Far Face



DETAIL AT BLOCKOUTS SHEET 2 OF 5

	USER NAME =	DESIGNED - BAB	REVISED -	STATE OF ILLINOIS DEPARTMENT OF TRANSPORTATION	CONCRETE DROP BOX AT STATION 19+65	F.A. RTE.	SECTION	COUNTY	TOTAL SHEETS	SHEET NO.		
	PLOT SCALE =	CHECKED - BLB	REVISED -			1566	29 R-N-1	COOK	120	62		
	PLOT DATE =	DRAWN - BCD	REVISED -			SHEET NO. OF SHEETS		CONTRACT NO. 62377		ILLINOIS FED. AID PROJECT		
		CHECKED - BLB	REVISED -									