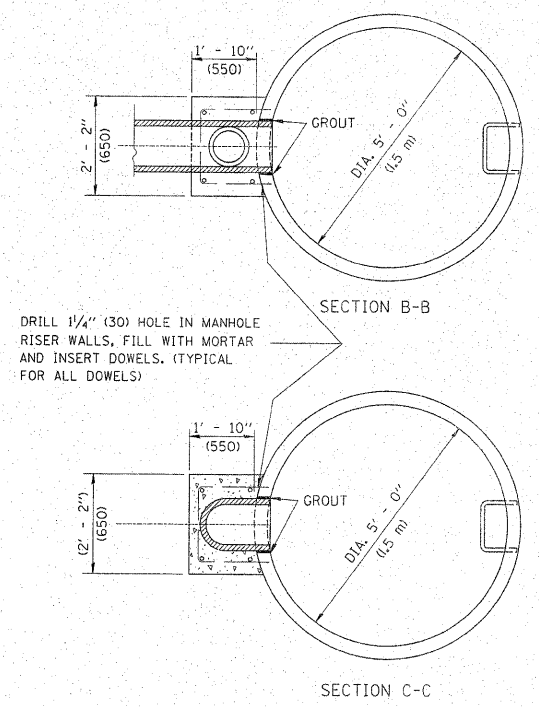
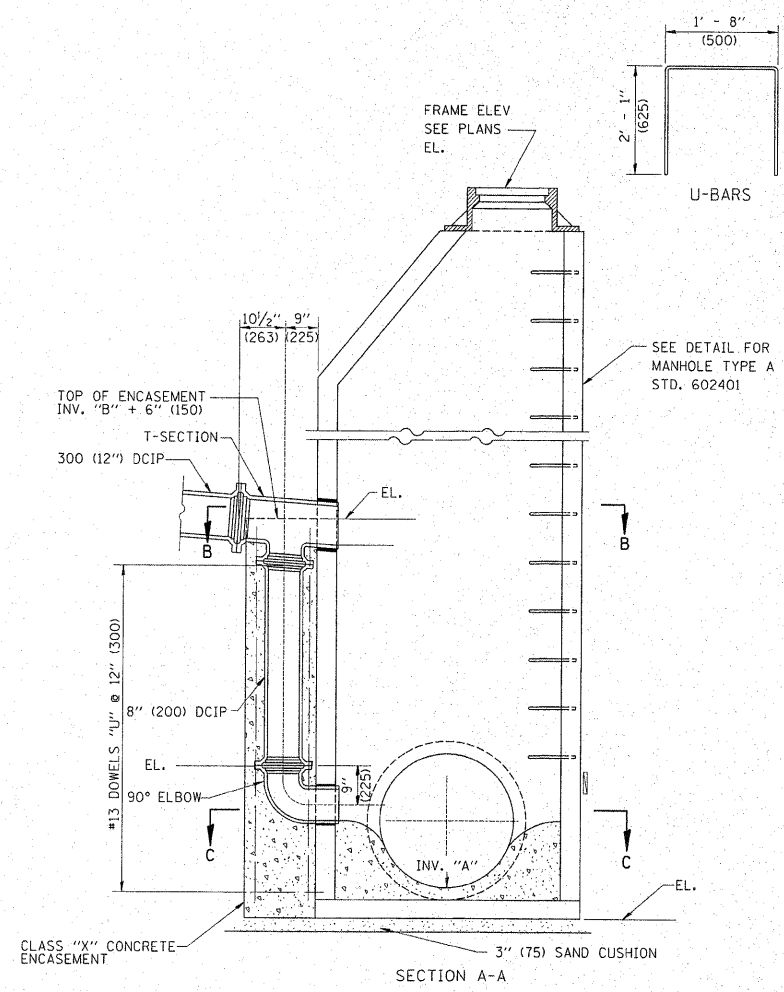


ENCASEMENT DETAILS	
DROP M.H. LOCATION STA., OFFSET	
INV. "A"	
INLET PIPE	
INV. "B"	
INV. "C"	
A	
B	
"V" BAR LENGTH	
NO. OF "U" BARS	
REINF. BARS	
CLASS "SI" CONC. CUBIC YARD (CU. YD.)	



- TYPE A1-1 - MANHOLE WITH 1 DROP AND DEPTH UP TO 10' (3 m)
- TYPE A1-2 " " " 1 " " " FROM 10' TO 15' (3 m TO 1.5 m)
- TYPE A1-3 " " " 1 " " " FROM 15' TO 20' (1.5 m TO 6 m)
- TYPE A1-4 " " " 1 " " " OVER 20' (6 m)
- TYPE A2-1 MANHOLE WITH 2 DROPS AND DEPTH UP TO 10' (3 m)
- TYPE A2-2 " " " 2 " " " FROM 10' TO 15' (3 m TO 1.5 m)
- TYPE A2-3 " " " 2 " " " FROM 15' TO 20' (1.5 m TO 6 m)
- TYPE A2-4 " " " 2 " " " OVER 20' (6 m)

ALL DIMENSIONS ARE IN INCHES (MILLIMETERS) UNLESS OTHERWISE SHOWN

FILE NAME =	USER NAME = steedpa	DESIGNED -	REVISED -
ct:\pw\work\pwidot\steedpa\0159915\Dist\d.dgn		DRAWN -	REVISED -
		CHECKED -	REVISED -
		DATE - 10-18-02	REVISED -

STATE OF ILLINOIS
DEPARTMENT OF TRANSPORTATION

DROP MANHOLE DETAILS

SCALE: NONE SHEET NO. 1 OF 1 SHEETS STA. TO STA.

F.A.U. RTE.	SECTION	COUNTY	TOTAL SHEETS	SHEET NO.
1566	29 R-N-1	COOK	120	77
BD600-05 (BD-16)		CONTRACT NO. 62377		
FED. ROAD DIST. NO. 1 ILLINOIS FED. AID PROJECT				