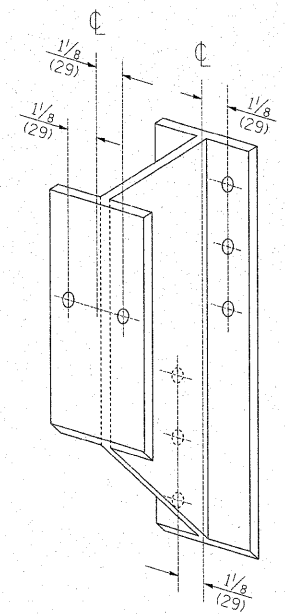
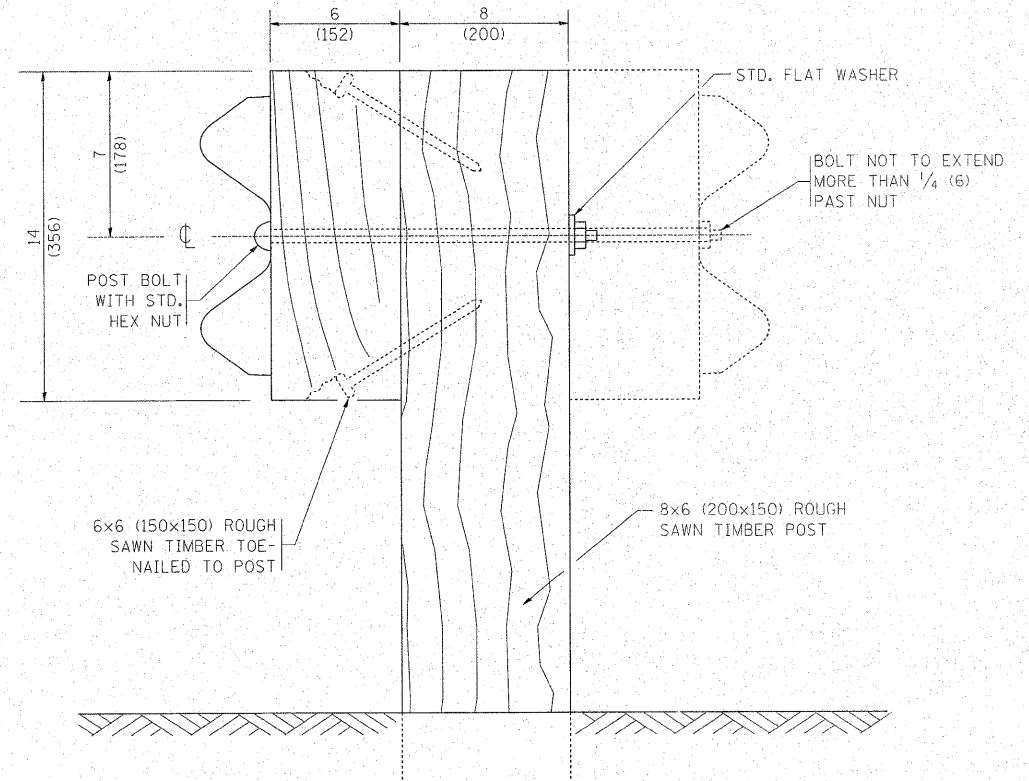


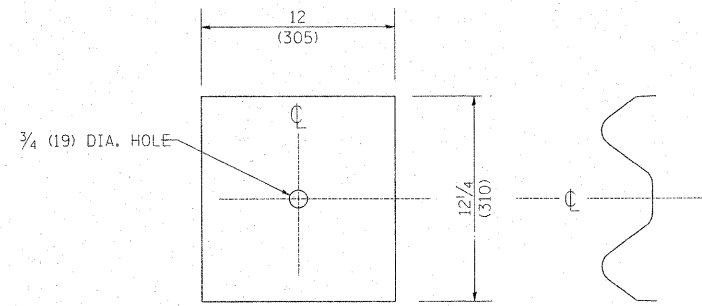
STEEL POST CONSTRUCTION



STEEL BLOCK-OUT DETAIL

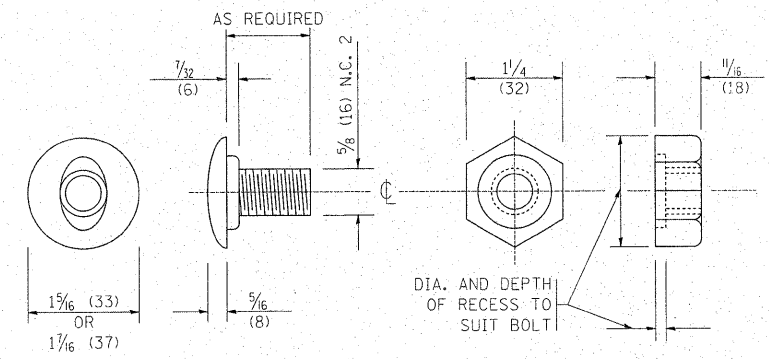


WOOD POST CONSTRUCTION



**NOTE:**  
 PLATE A SHALL BE PLACED BETWEEN RAIL ELEMENT AND BLOCK-OUT AT NON-SPLICE MOUNTING POINTS ONLY WHEN STEEL BLOCK-OUTS ARE USED.

PLATE A



POST OR SPLICE BOLT & NUT

FILE NAME =	USER NAME = steedpa	DESIGNED -	REVISED - 10-31-06	<b>STATE OF ILLINOIS DEPARTMENT OF TRANSPORTATION</b>	<b>REMOVE AND REERECT STEEL PLATE BEAM GUARDRAIL</b>			F.A.U. RTE. 1566	SECTION 29 R-N-1	COUNTY COOK	TOTAL SHEETS 120	SHEET NO. 85
c:\pw_work\pwwork\stedpa\d0159915\DistS		DRAWN -	REVISED -		SCALE: NONE	SHEET NO. 2 OF 4 SHEETS	STA. TO STA.	<b>BM-21</b>				
		CHECKED -	REVISED -		FED. ROAD DIST. NO. 1 ILLINOIS FED. AID PROJECT							
		DATE -	REVISED -		CONTRACT NO. 62377							