

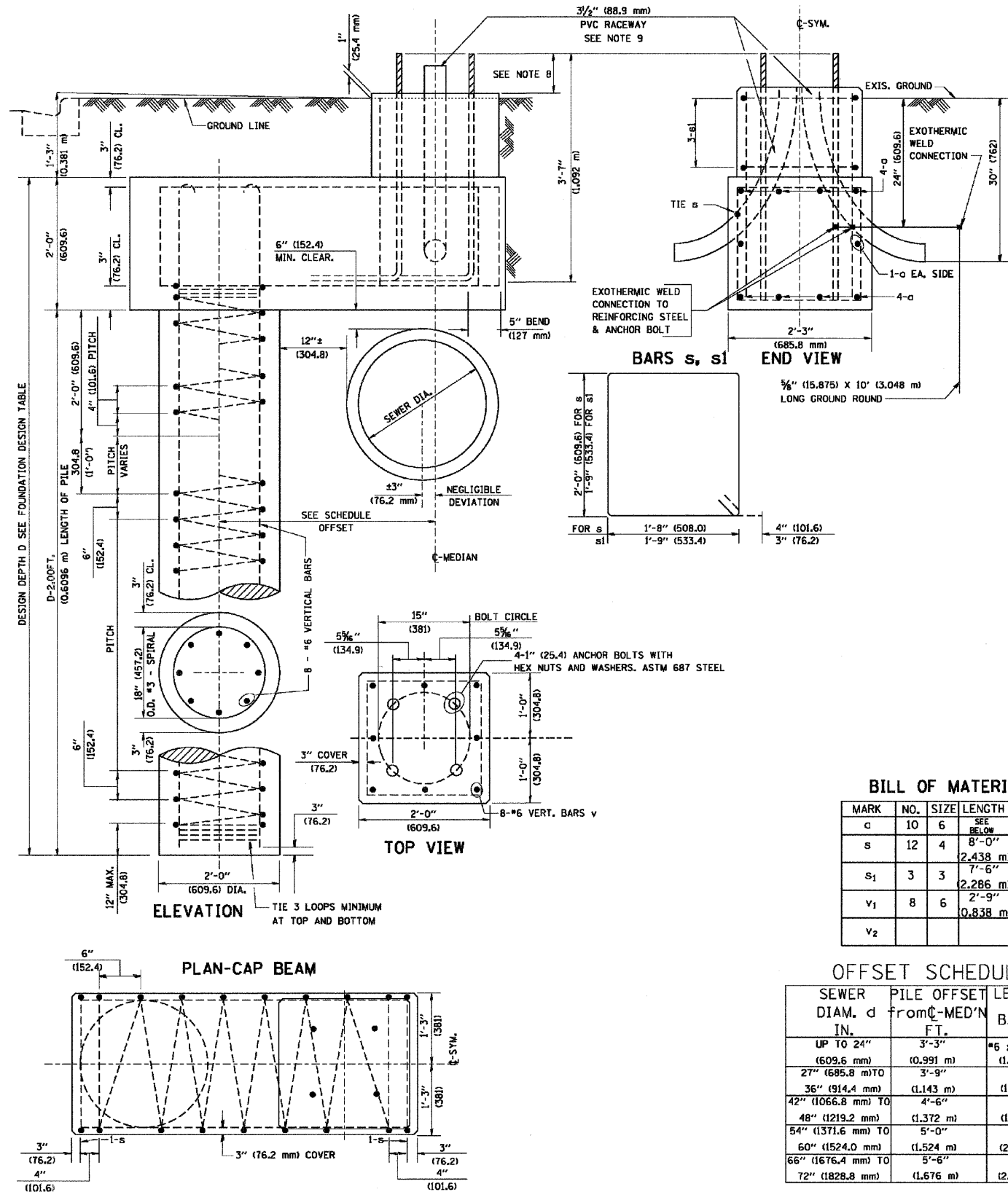
FOUNDATION DESIGN TABLE

TYPE OF SOIL	DESIGN DEPTH OF FOUNDATION		REINFORCEMENT IN FOUNDATION			
	SINGLE ARM D	TWIN ARM D	SINGLE ARM		TWIN ARM	
			VERT BARS	SPIRAL	VERT BARS	SPIRAL
SOFT CLAY	13'-0" (3.962 m)	15'-0" (4.572 m)	8-#6X12'-6" (3.810 m)	*3X122' (37.186 m)	8-#6X14'-3" (4.343 m)	*3X141' (42.977 m)
MEDIUM CLAY	9'-6" (2.896 m)	10'-9" (3.277 m)	8-#6X9'-0" (2.743 m)	*3X90' (27.432 m)	8-#6X10'-0" (3.048 m)	*3X100' (30.480 m)
STIFF CLAY	7'-0" (2.134 m)	8'-0" (2.438 m)	8-#6X6'-6" (1.981 m)	*3X66' (20.112 m)	8-#6X7'-6" (2.286 m)	*3X76' (23.165 m)
LOOSE SAND	9'-0" (2.743 m)	10'-0" (3.048 m)	8-#6X8'-6" (2.591 m)	*3X85' (25.908 m)	8-#6X9'-6" (2.896 m)	*3X94' (28.651 m)
MEDIUM SAND	8'-3" (2.515 m)	9'-0" (2.743 m)	8-#6X8'-0" (2.438 m)	*3X78' (23.774 m)	8-#6X8'-6" (2.591 m)	*3X85' (25.908 m)
DENSE SAND	7'-9" (2.362 m)	9'-0" (2.743 m)	8-#6X7'-6" (2.286 m)	*3X73' (22.250 m)	8-#6X8'-6" (2.591 m)	*3X85' (25.908 m)
ROCK OR SOLIDIFIED SLAG	5'-0" (1.524 m)	5'-0" (1.524 m)	NONE	NONE	NONE	NONE

SEE NOTES 3 AND 11 AND FOUNDATION
DETAIL ON SHEET NO. 17 FOR ANCHOR
BOLT EXTENTION REQUIREMENTS

NOTES

- ALL DIMENSIONS ARE IN INCHES (MILLIMETERS) UNLESS OTHERWISE SHOWN.
- THE ENGINEER SHALL DETERMINE THE CLASS OF SOIL DURING EXCAVATION AND SELECT THE DESIGN DEPTH OF FOUNDATION FROM THE DESIGN TABLE.
- EXCAVATION OF THE POLE FOUNDATION SHALL BE MADE WITH AN AUGER, 24" (609.6 mm) OR 30" (762.0 mm) IN DIAMETER.
- THE ANCHOR ROD SHALL BE A HOOK ROD TYPE. COLD BENDING OF THE ANCHOR ROD WILL NOT BE ALLOWED. THE RADIUS OF THE HOOK BEND SHALL NOT BE LESS THAN 4 TIMES THE NOMINAL DIAMETER OF THE ANCHOR ROD. A TACK WELDED ANCHOR ROD MAY BE SUBSTITUTED WITH THE APPROVAL OF THE ENGINEER.
- THE ANCHOR BOLTS AND RACEWAYS SHALL BE PROPERLY SECURED IN PLACE BEFORE THE CONCRETE IS PLACED IN THE FORM.
- THE ANCHOR RODS SHALL BE ACCORDING TO ASTM F1554 GRADE 725 (GRADE 105). NUTS SHALL BE HEXAGON NUTS ACCORDING TO ASTM A 194 2H OR ASTM A 563 DH, AND WASHERS SHALL BE ACCORDING TO ASTM F 436.
- THE CONTRACTOR SHALL COORDINATE EXTENSION OF ANCHOR BOLTS ABOVE TOP OF FOUNDATION WITH THE BREAKAWAY DEVICE MANUFACTURER'S REQUIREMENTS. IF LIGHT POLE IS MOUNTED WITHOUT BREAKAWAY DEVICE, ANCHOR BOLTS SHALL PROJECT 2 3/4" (69.9 mm) ABOVE TOP OF THE FOUNDATION. THE CONTRACTOR SHALL CONFIRM ANCHOR BOLT EXTENTION WITH ENGINEER.
- RACEWAYS SHALL PROJECT 1" (25.4 mm) ABOVE THE TOP OF THE FOUNDATION.
- THE CABLE TRENCH SHALL BE BACKFILLED AND FIRMLY COMPACTED BEFORE THE LIGHT IS ERECTED.



BILL OF MATERIAL

MARK	NO.	SIZE	LENGTH	SHAPE
c	10	6	SEE BELOW	—
s	12	4	8'-0" (2.438 m)	□
s1	3	3	7'-6" (2.286 m)	□
v1	8	6	2'-9" (0.838 m)	—
v2				

OFFSET SCHEDULE

SEWER DIAM. d	PILE OFFSET from C-MED'N	LENGTH of BAR c
IN.	FT.	FT.
UP TO 24" (609.6 mm)	3'-3" (0.991 m)	*6 x 5'-3" (1.600 m)
27" (685.8 mm) TO	3'-9" (1.143 m)	5'-9"
36" (914.4 mm) TO	4'-6" (1.372 m)	6'-6"
42" (1066.8 mm) TO	5'-0" (1.524 m)	7'-0"
48" (1219.2 mm) TO	5'-6" (1.676 m)	7'-6"
60" (1524.0 mm) TO	6'-0" (1.828 m)	8'-0"
66" (1676.4 mm) TO	6'-6" (1.979 m)	8'-6"
72" (1828.8 mm)	7'-0" (2.134 m)	9'-0"

FILE NAME = K:\data\td22x34\ba310.dgn	USER NAME = bauredi	DESIGNED -	REVISED - 06-16-08 R. TOMSONS
PLOT SCALE = 50.000' / 1" IN.	CHECKED -	DRAWN -	REVISED -
PLOT DATE = 6/16/2008	DATE -	CHECKED -	REVISED -

STATE OF ILLINOIS
DEPARTMENT OF TRANSPORTATION

LIGHT POLE FOUNDATION OFFSET
48" (1219.2 mm) TO 47 1/2" (1193.8 mm) M.H.
15" (381 mm) BOLT CIRCLE
SCALE: SHEET NO. 1 OF 1 SHEETS STA. TO STA.

F.A. RTE. 2578 2585	SECTION 10-00059-00-LT	COUNTY COOK	TOTAL SHEETS 21	SHEET NO. 18
BE-310			CONTRACT NO. 63530	
ILLINOIS FED. AID PROJECT				

6/16/2008
K:\data\td22x34\ba310.dgn
bauredi