

**GREENLEAF AVE. CIRCUIT WIRING DIAGRAM**

NO SCALE

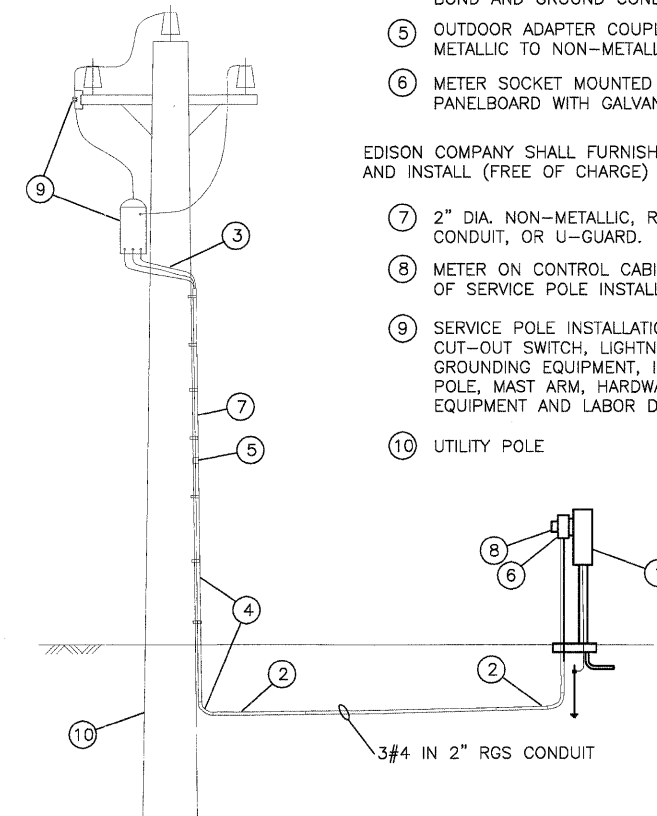
**KEYNOTES**

CONTRACTOR SHALL FURNISH AND INSTALL :

- ① 60A, 120/240V, 1 $\phi$ , 3W, SN PANELBOARD NEMA 3R, LOCKING ENCLOSURE WITH 2P-60A MAIN BREAKER. PROVIDE (4) 2P-20A BRANCH BREAKERS TO FEED LIGHTING. PROVIDE 2-POLE, 240V BREAKER STYLE MOUNTED SURGE SUPPRESSOR (2-1P SPACES).
- ② CONDUIT IN TRENCH - 2" DIA.
- ③ ELECTRIC CABLE - CABLES FROM INSIDE THE CABINET TO TOP OF STEEL CONDUIT & ENOUGH CABLE FOR CONNECTION TO THE TRANSFORMER.
- ④ RGS CONDUIT - 2" DIA., ONE 10' SECTION & ONE 90 DEGREE ELBOW. BOND AND GROUND CONDUIT AS REQUIRED.
- ⑤ OUTDOOR ADAPTER FOR METALLIC TO NON-METALLIC CONDUIT
- ⑥ METER SOCKET MOUNTED TO BACK OF PANELBOARD WITH GALVANIZED STRUT TYPE SUPPORTS.

EDISON COMPANY SHALL FURNISH AND INSTALL (FREE OF CHARGE) :

- ⑦ 2" DIA. NON-METALLIC, RIGID CONDUIT, OR U-GUARD.
- ⑧ METER ON CONTROL CABINET AS PART OF SERVICE POLE INSTALLATION.
- ⑨ SERVICE POLE INSTALLATION : TRANSFORMER, CUT-OUT SWITCH, LIGHTNING ARRESTER, GROUNDING EQUIPMENT, INSULATORS, WIRES, POLE, MAST ARM, HARDWARE & ANY OTHER EQUIPMENT AND LABOR DEEMED NECESSARY.
- ⑩ UTILITY POLE



SERVICE POLE CONNECTION: "ELECTRIC SERVICE CONNECTION" APPLIES TO THOSE FACILITIES REQUIRED IN ADDITION TO WHAT IS DETERMINED BY AGREEMENT WITH C.E. COMPANY TO BE A NORMAL INSTALLATION AND FACILITIES WILL BE PAID FOR AS "ELECTRICAL SERVICE CONNECTION" AS SPECIFIED IN THE SPECIAL PROVISIONS.

**COM ED POLE SERVICE DETAIL**

NO SCALE

FILE NAME = F:\P0100\50\SURVEY\2010 FEDICOVER.DWG	USER NAME =	DESIGNED - EKS	REVISED -	<b>STATE OF ILLINOIS DEPARTMENT OF TRANSPORTATION</b>	<b>GREENLEAF AVENUE SIDEWALKS CIRCUIT WIRING DIAGRAM &amp; COM ED POLE SERVICE DETAILS</b>	F.A.U. RTE.	SECTION	COUNTY	TOTAL SHEETS	SHEET NO.
	PLOT SCALE = AS SHOWN	CHECKED - MKK	REVISED -			2701	10-00042-00-SW	LAKE	34	30
PLOT DATE =	DATE - 12/29/2011	REVISED -	REVISED -	SCALE: N.T.S.	SHEET NO. 30 OF 34 SHEETS	CONTRACT NO. 63605		ILLINOIS FED. AID PROJECT		