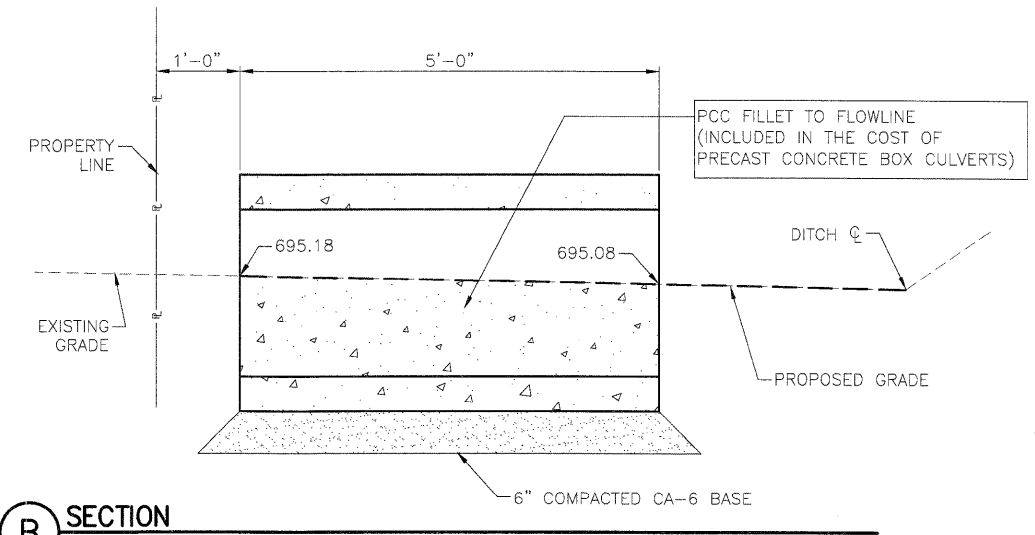
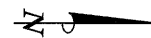


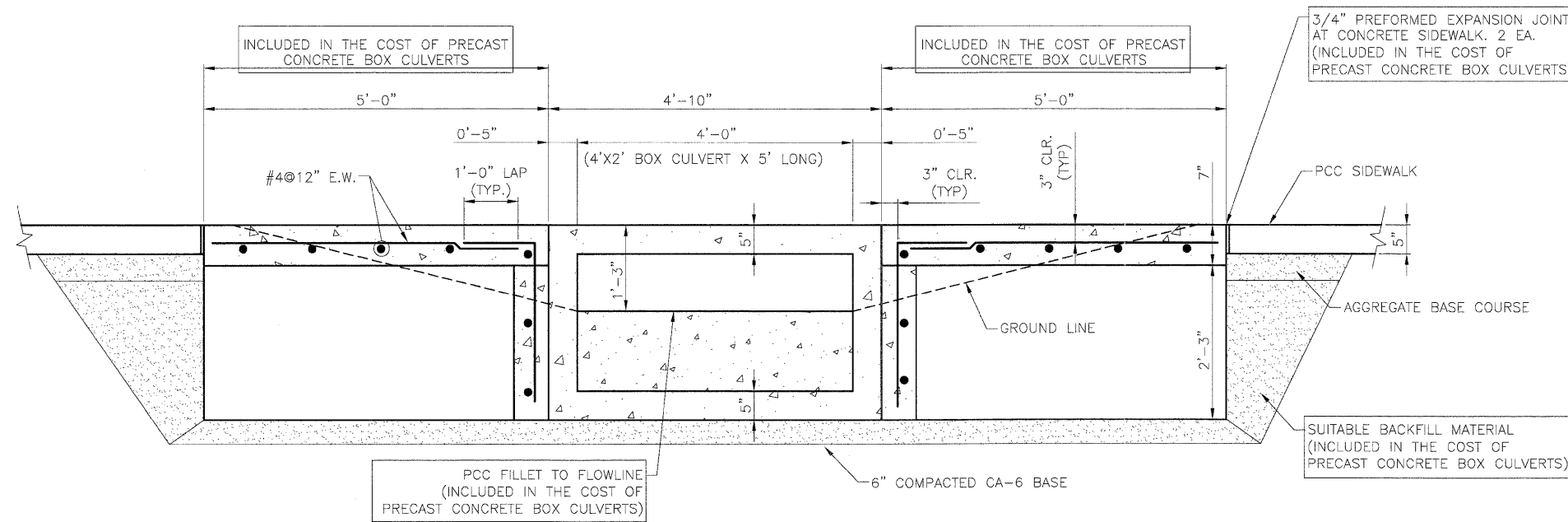
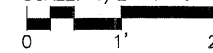
1 PLAN VIEW

SCALE: 1/2"=1'-0"



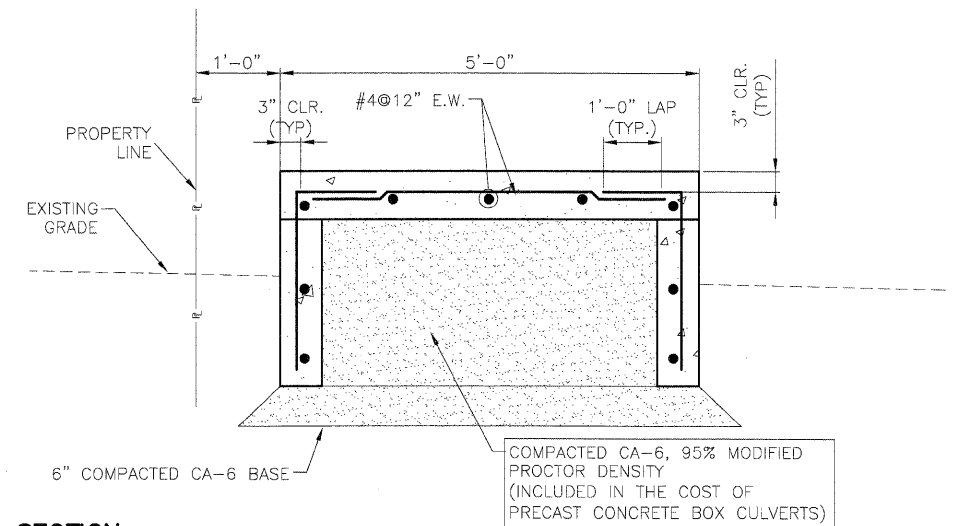
B SECTION

SCALE: 1/2"=1'-0"



A SECTION

SCALE: 1/2"=1'-0"



C SECTION

SCALE: 1/2"=1'-0"

FILE NAME = P:\PO100150\SURVEY\2010 FED\COVER.DWG	USER NAME = \$USERS	DESIGNED -	REVISED -	<b>STATE OF ILLINOIS DEPARTMENT OF TRANSPORTATION</b>	<b>GREENLEAF AVENUE SIDEWALKS PRECAST CONCRETE BOX CULVERTS, 4X2'</b>	FAU. RTE. 2701	SECTION 10-00042-00-SW	COUNTY LAKE	TOTAL SHEETS 34	SHEET NO. 32
PLOT SCALE = AS SHOWN	CHECKED - MKK	REVISOR -	REVISOR -			CONTRACT NO. 63605				
PLOT DATE =	DATE - 12/29/2011	REVISOR -	REVISOR -			ILLINOIS FED. AID PROJECT				
						SCALE: N.T.S. SHEET NO. 32 OF 34 SHEETS				