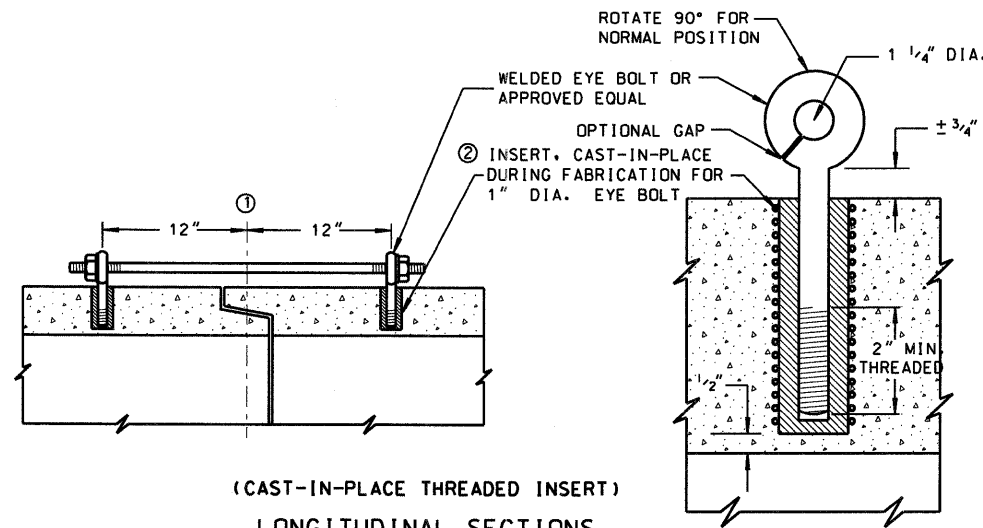


EYE BOLTS AND TIE ROD

EYE BOLT AND TIE ROD ASSEMBLY (ALTERNATE NO. 1)



(CAST-IN-PLACE THREADED INSERT)
LONGITUDINAL SECTIONS

GENERAL NOTES

DETAILS OF CONSTRUCTION, MATERIALS AND WORKMANSHIP NOT SHOWN ON THIS DRAWING SHALL CONFORM TO THE PERTINENT REQUIREMENTS OF THE STANDARD SPECIFICATIONS AND APPLICABLE SPECIAL PROVISIONS. JOINT TIES AND HARDWARE SHALL BE GALVANIZED STEEL.

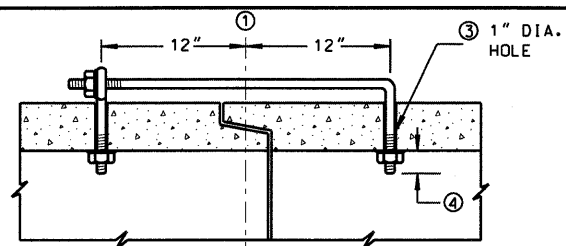
CONCRETE CULVERT PIPE AND SEWER PIPE SHALL BE TIED TOGETHER IN THE MANNER ILLUSTRATED BY THIS DETAIL AT THE LAST THREE JOINTS BEFORE A FLARED END SECTION

THE CONTRACTOR MAY USE EITHER ALTERNATE 1, 2 OR 3 FOR CONCRETE PIPE.

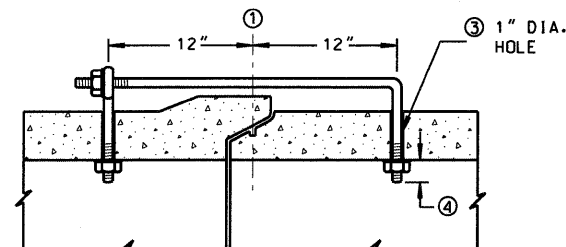
UNLESS OTHERWISE STATED IN THE CONTRACT THE MATERIALS, FABRICATION AND WORK NECESSARY TO TIE CULVERT PIPE AS INDICATED ON THE PLANS AND BY THIS DETAIL WILL BE CONSIDERED INCLUDED IN THE COST OF PIPE CULVERTS OR STORM SEWERS.

DETAILED DRAWINGS FOR PROPOSED ALTERNATE DESIGNS FOR GALVANIZED STEEL JOINT TIES SHALL BE SUBMITTED TO THE ENGINEER FOR APPROVAL.

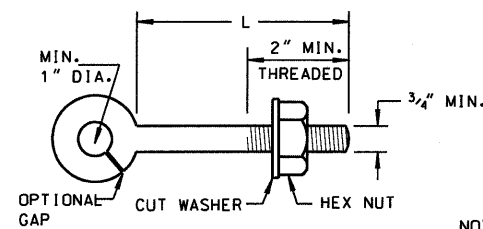
- ① 1/2 OF TONGUE AND GROOVE OR BELL AND SPIGOT JOINTS.
- ② THE INSIDE OF THE THREADED INSERTS SHALL BE CLEAN TO ALLOW THE INSERTION OF THREADED EYE BOLTS.
- ③ HOLES SHALL BE CAST-IN-PLACE OR DRILLED 12" FROM 1/2 OF TONGUE AND GROOVE.
- ④ BOLT PROJECTION INSIDE OF PIPE SHALL NOT EXCEED 2".
- ⑤ OPENING TO BE ROD DIAMETER + 1 INCH.
- ⑥ LENGTH ADEQUATE TO EXTEND TO WITHIN 1/2 INCH OF THE INNER SURFACE OF THE PIPE.



(TONGUE & GROOVE PIPE)

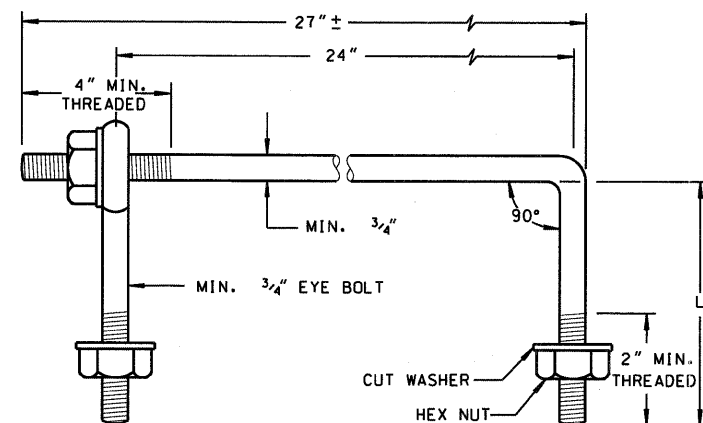


(MODIFIED BELL PIPE)
LONGITUDINAL SECTION



EYE BOLT

NOTE:
TWO EYE BOLTS MAY BE USED WITH A 30" LONG THREADED ROD IN LIEU OF THE 90° BENT TIE ROD.



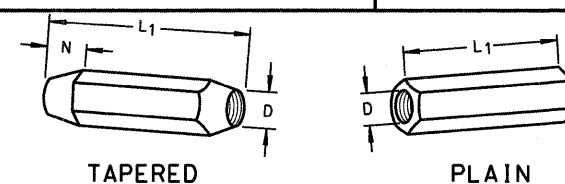
EYE BOLT AND TIE ROD

(JOINT TIES FOR 18" TO 66" DIA. CONCRETE PIPE)

EYE BOLT AND TIE ROD ASSEMBLY (ALTERNATE NO. 2)

EYE BOLT DIMENSION TABLE

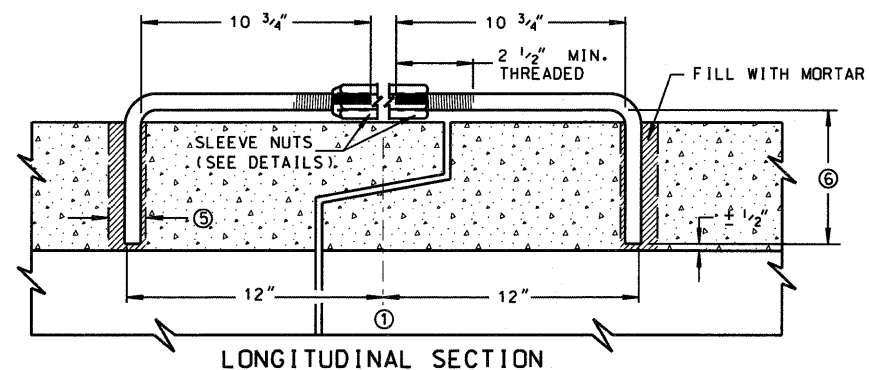
PIPE SIZE	L = LENGTH	
	TONGUE & GROOVE PIPE	MODIFIED BELL PIPE
18" TO 24"	4 1/2"	6 1/4"
30"	5"	7"
36"	5 1/2"	7"
42"	6"	
48"	6 1/2"	
60"	7 1/2"	
66"	8"	



TAPERED PLAIN

RIGHT AND LEFT THREADS

SLEEVE NUTS



LONGITUDINAL SECTION

(JOINT TIES FOR 12" TO 108" DIA. CONCRETE PIPE)

ADJUSTABLE TIE ROD (ALTERNATE NO. 3)

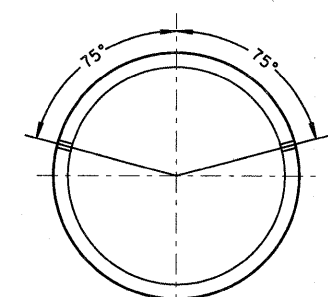
ADJUSTABLE TIE ROD TABLE

PIPE DIAMETER	TIE ROD DIAMETER	D	L1	N
12-60	5/8	5/8	5	1/2
66-84	3/4	3/4	5	1/2
90-108	1	1	7	1 1/16

DIMENSIONS SHOWN ARE IN INCHES

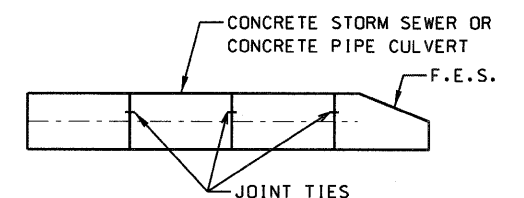
NOT TO SCALE

REVISIONS	DATE
ADDED JOINT TIE MAT'L	7/8/11



PLACEMENT OF (2) CAST-IN-PLACE INSERTS OR HOLES DURING FABRICATION FOR PIPE SECTIONS REQUIRING TIE RODS

TRANSVERSE SECTION



TYPICAL JOINT TIE LOCATIONS

LakeCounty
Division of Transportation

APPROVED BY: M. ZEMAITIS
DATE: 04/01/11

JOINT TIES FOR CONCRETE PIPE

LC5402