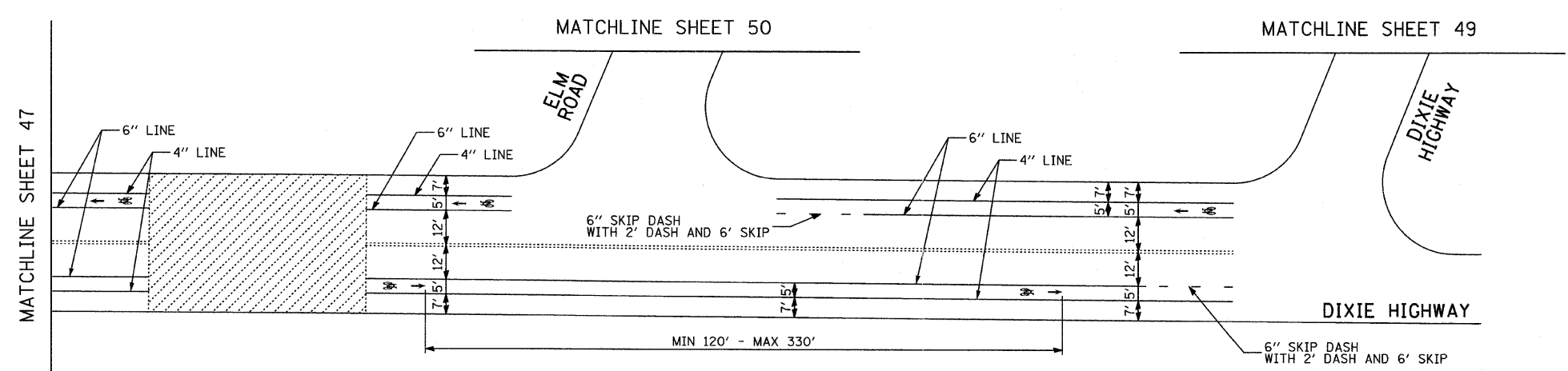


DIXIE HIGHWAY EXISTING/REMOVAL PLAN



DIXIE HIGHWAY PROPOSED IMPROVEMENT PLAN

**PAVEMENT MARKING LEGEND**

	PAVEMENT MARKING REMOVAL
	EXISTING PAVEMENT MARKINGS
	PROPOSED PAVEMENT MARKINGS

<b>TYLIN INTERNATIONAL</b>	USER NAME = #USER#	DESIGNED - MBR	REVISED -	<b>VILLAGE OF HOMEWOOD</b>	<b>HOMEWOOD ON-STREET BICYCLE NETWORK PAVEMENT MARKING PLAN</b>			F.A. RTE.	SECTION	COUNTY	TOTAL SHEETS	SHEET NO.
	PLOT SCALE = #SCALE#	DRAWN - MBR	REVISED -						08-00125-00-SG	COOK	76	48
	PLOT DATE = 12/16/2011	CHECKED - DBD	REVISED -			SCALE: N.T.S.	SHEET NO. OF SHEETS	STA. TO STA.	CONTRACT NO. 63634			
		DATE - 12/19/2011	REVISED -									