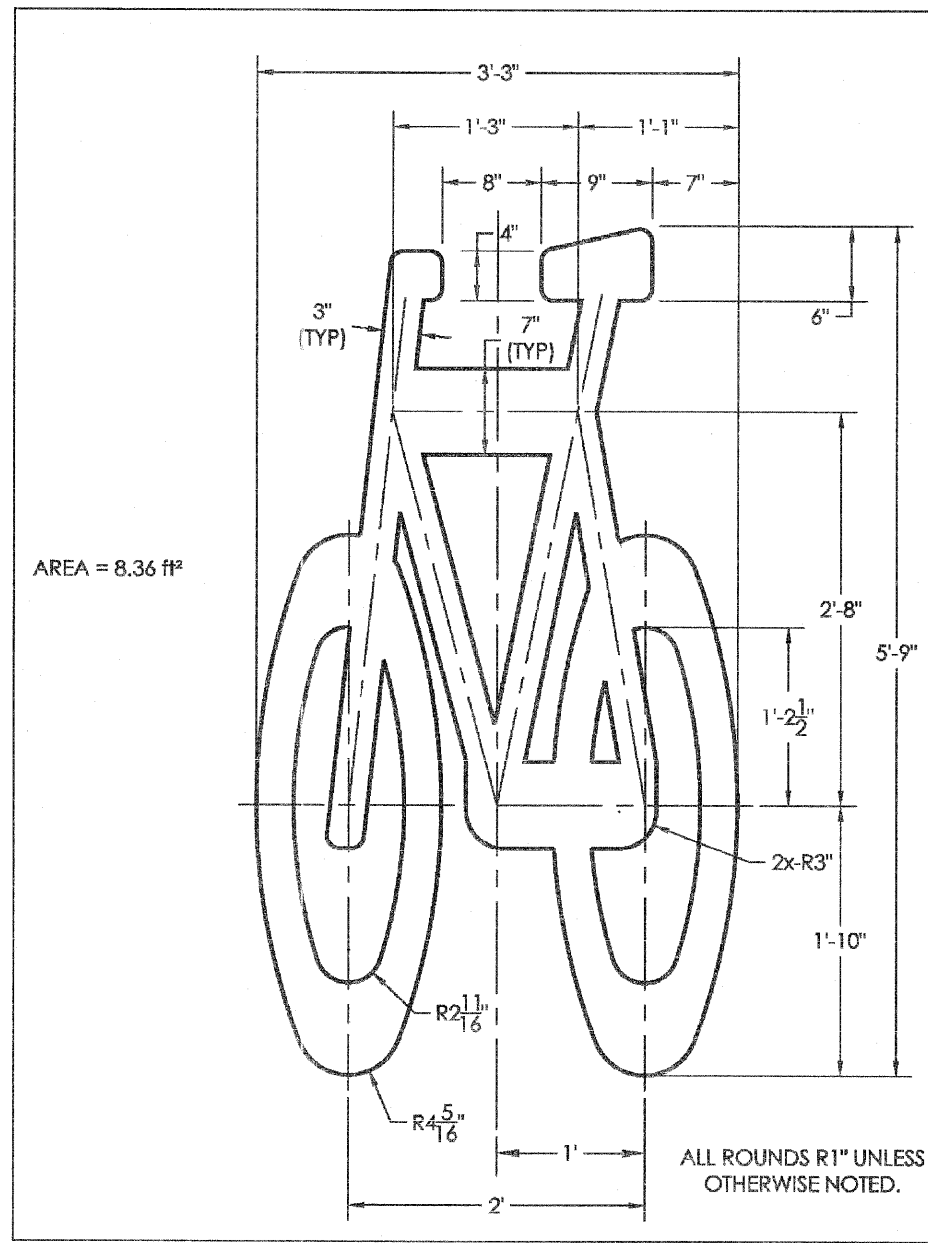
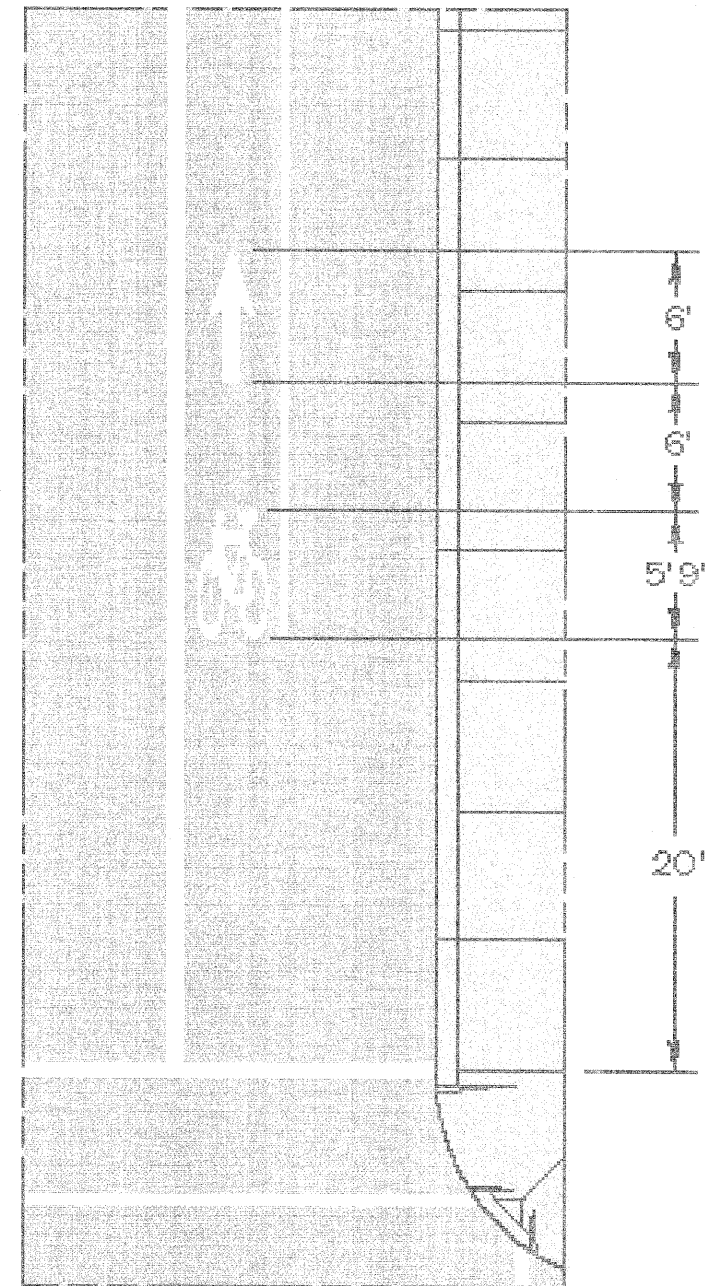


BIKE LANE ARROW



BIKE LANE SYMBOL DETAIL



BIKE LANE SYMBOL

TYLIN INTERNATIONAL	USER NAME = #USER#	DESIGNED - MBR	REVISED -	VILLAGE OF HOMEWOOD	HOMWOOD ON-STREET BICYCLE NETWORK PAVEMENT MARKING DETAIL			F.A. RTE.	SECTION	COUNTY	TOTAL SHEETS	SHEET NO.
	PLOT SCALE = #SCALE#	DRAWN - MBR	REVISED -					08-00125-00-SG	COOK	76	73	
	PLOT DATE = 12/16/2011	CHECKED - DBD	REVISED -					CONTRACT NO. 63634				
	SCALE: N.T.S.	DATE - 12/19/2011	REVISED -					SHEET NO. 2 OF 2 SHEETS	STA.	TO STA.		