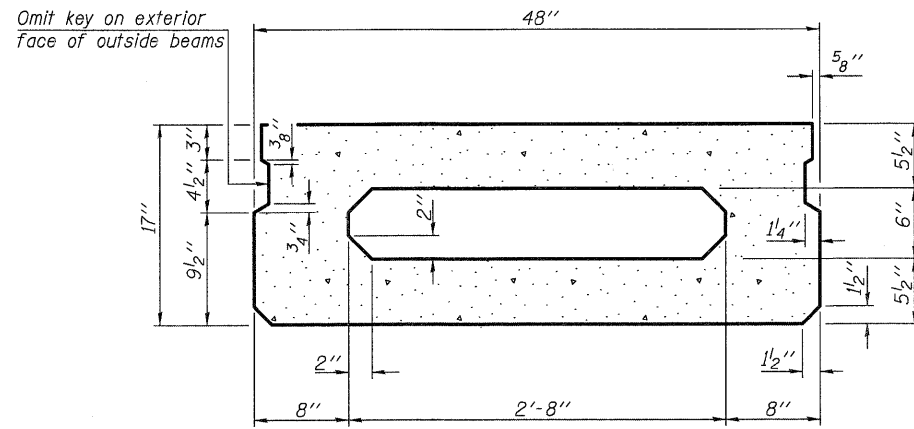
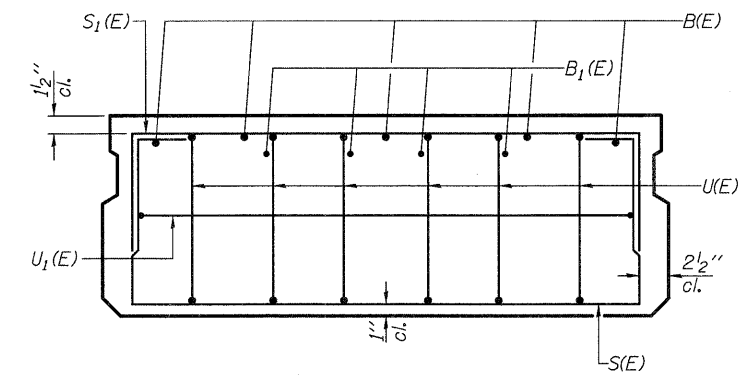


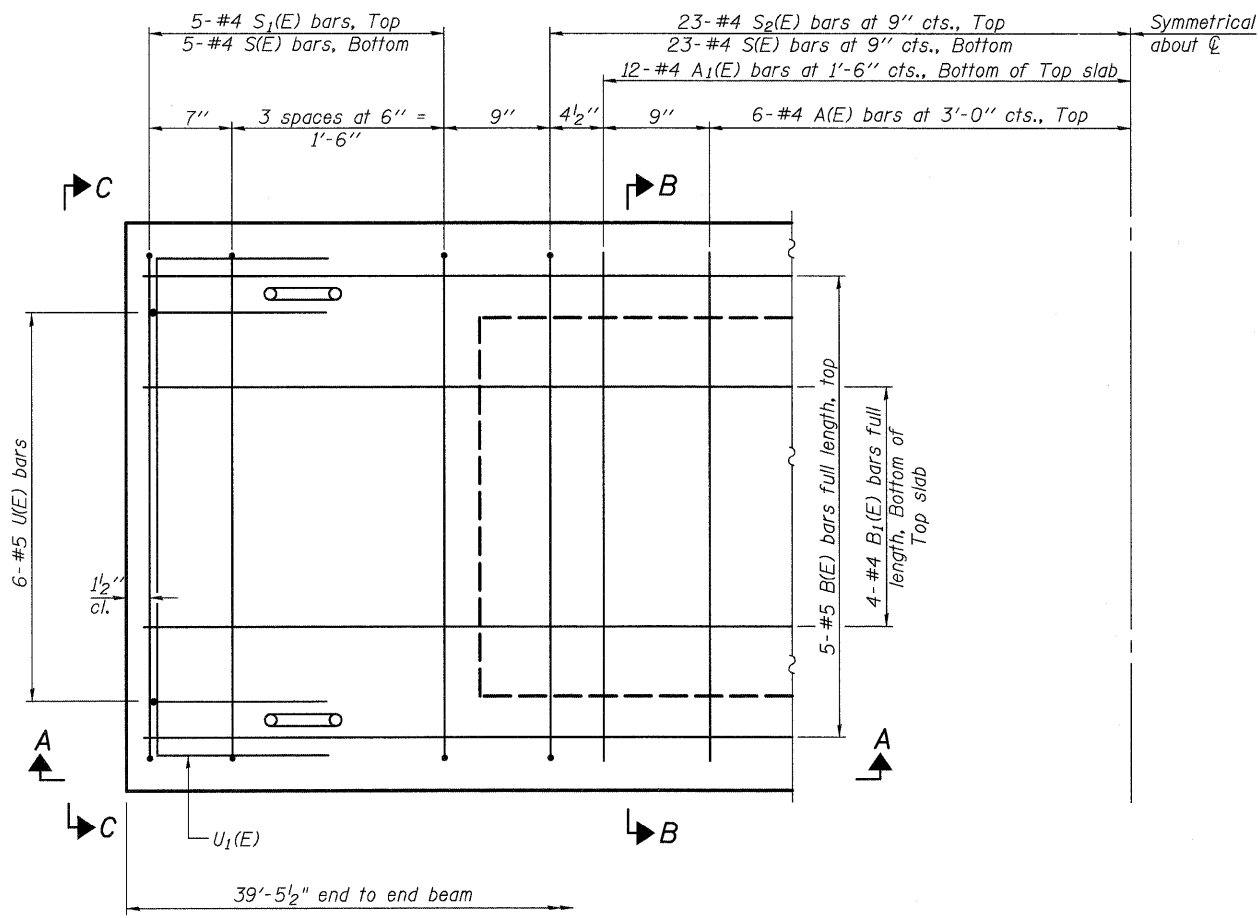
SECTION A-A



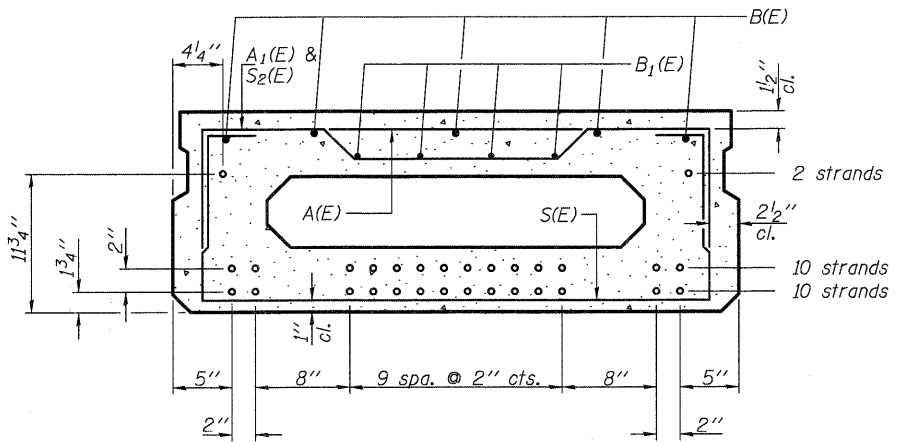
SECTION B-B
(Showing dimensions)



VIEW C-C



PLAN VIEW



SECTION B-B

(Showing reinforcement and permissible strand locations)
22- $\frac{1}{2}$ " ϕ Strands
(10 strands $1\frac{3}{4}$ " up, 10 strands $3\frac{3}{4}$ " up, 2 strands $11\frac{3}{4}$ " up)
Note: Place the number of strands specified in each row symmetrically about the centerline of beam in the permissible strand locations shown.

BAR LIST
ONE BEAM ONLY
(For information only)

Bar	No.	Size	Length	Shape
A(E)	12	#4	3'-7"	—
A1(E)	24	#4	3'-10"	—
B(E)	5	#5	39'-2"	—
B1(E)	4	#4	39'-2"	—
S(E)	56	#4	6'-9"	—
S1(E)	10	#4	5'-3"	⌈
S2(E)	46	#4	5'-6"	⌈
U(E)	12	#5	3'-8"	⌈
U1(E)	2	#4	6'-0"	⌈

Note: See Sheet 7 of 17 for additional details and Bill of Material.

MINIMUM BAR LAP
#4 bar = 2'-0"
#5 bar = 2'-6"

Note: Spacing of S(E) and S2(E) bars may be adjusted up to 4" in the immediate area of the transverse tie diaphragms to miss the block outs for the transverse ties.

SPAN 1

FILE NAME = P:\CBBEL WEST Projects\22879\09-2073 Hoppers\IT\Structural\Drawings\17-10-10-PPC Deck Beam Span 1.dgn

PD-1748-0

7-1-10

WILLS BURKE KELSEY ASSOCIATES LTD.
118 West Main Street, Suite 201
St. Charles, Illinois 60174

USER NAME = nparris	DESIGNED - DLS	REVISED -
PLOT SCALE =	CHECKED - AEU	REVISED -
PLOT DATE = 12/16/2011	DRAWN - DLS	REVISED -
	CHECKED - AEU	REVISED -

STATE OF ILLINOIS
DEPARTMENT OF TRANSPORTATION

17" x 48" PPC DECK BEAM - SPAN 1
STRUCTURE NO. 045-3180

SHEET NO. 10 OF 17 SHEETS

T.R. RTE.	SECTION	COUNTY	TOTAL SHEETS	SHEET NO.
2442	04-08107-00-BR	KANE	80	44
FED. ROAD DIST. NO.			ILLINOIS FED. AID PROJECT	
			CONTRACT NO. 63644	