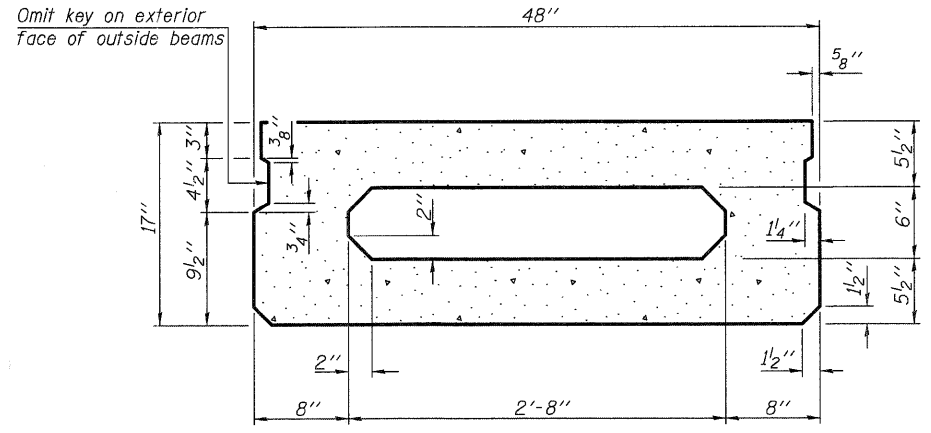
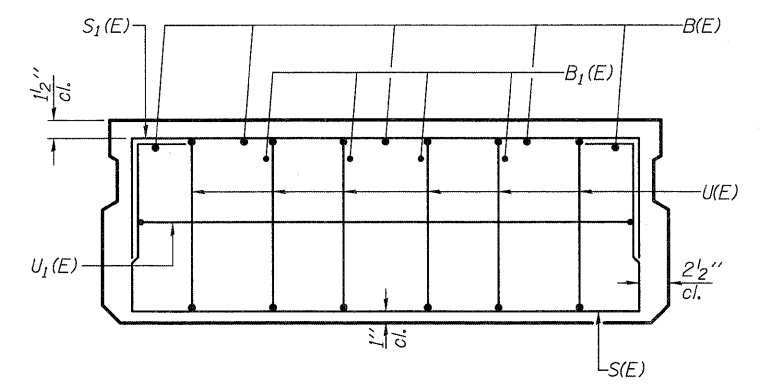


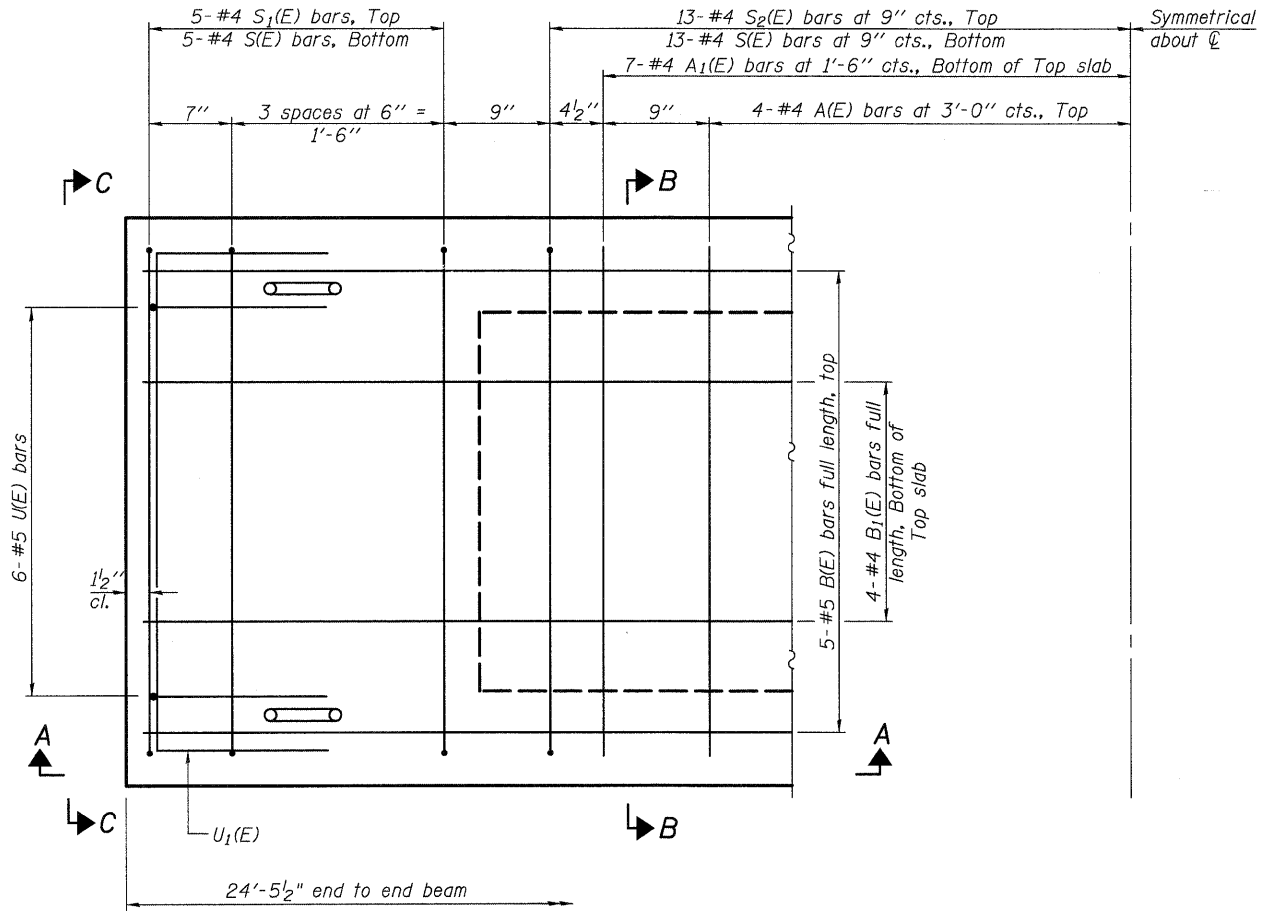
SECTION A-A



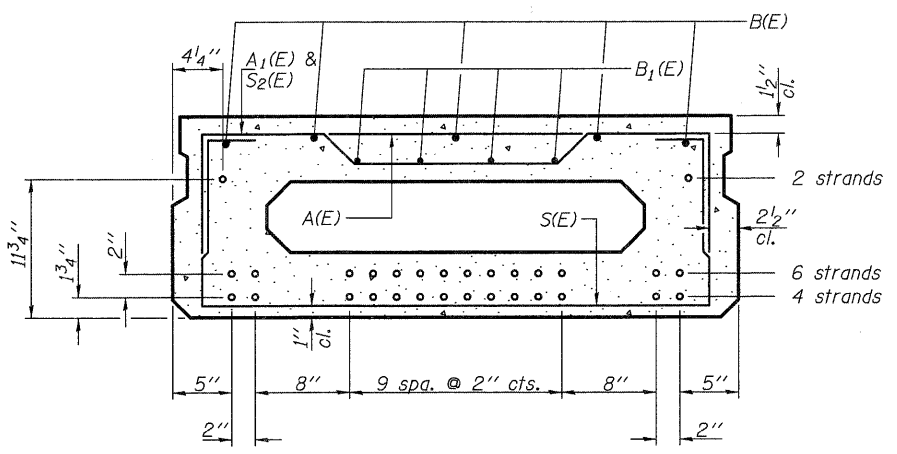
SECTION B-B
(Showing dimensions)



VIEW C-C



PLAN VIEW



SECTION B-B
(Showing reinforcement and permissible strand locations)
12-1/2" ϕ Strands
(4 strands 1 3/4" up, 6 strands 3 3/4" up, 2 strands 11 3/4" up)
Note: Place the number of strands specified in each row symmetrically about the centerline of beam in the permissible strand locations shown.

BAR LIST
ONE BEAM ONLY
(For information only)

| Bar | No. | Size | Length | Shape |
|-------|-----|------|--------|-------|
| A(E) | 8 | #4 | 3'-7" | — |
| A1(E) | 14 | #4 | 3'-10" | — |
| B(E) | 5 | #5 | 24'-2" | — |
| B1(E) | 4 | #4 | 24'-2" | — |
| S(E) | 36 | #4 | 6'-9" | □ |
| S1(E) | 10 | #4 | 5'-3" | □ |
| S2(E) | 26 | #4 | 5'-6" | □ |
| U(E) | 12 | #5 | 3'-8" | □ |
| U1(E) | 2 | #4 | 6'-0" | □ |

Note: See Sheet 7 of 17 for additional details and Bill of Material.

MINIMUM BAR LAP
#4 bar = 2'-0"
#5 bar = 2'-6"

Note: Spacing of S(E) and S2(E) bars may be adjusted up to 4" in the immediate area of the transverse tie diaphragms to miss the block outs for the transverse ties.

SPAN 2

FILE NAME = P:\GDBEL\WEST Projects\2009\09-0073 Hoppe\PH11\Structure\Ugn\Final\Plan\1748-0-11-PPC Deck_Span_2.dgn

PD-1748-0

7-1-10



| | | |
|------------------------|----------------|-----------|
| USER NAME = nparriss | DESIGNED - DLS | REVISED - |
| PLOT SCALE = | CHECKED - AEU | REVISED - |
| PLOT DATE = 12/16/2011 | DRAWN - DLS | REVISED - |
| | CHECKED - AEU | REVISED - |

STATE OF ILLINOIS
DEPARTMENT OF TRANSPORTATION

17" x 48" PPC DECK BEAM - SPAN 2
STRUCTURE NO. 045-3180

SHEET NO. 11 OF 17 SHEETS

| | | | | |
|---------------------|----------------|---------------------------|--------------|-----------|
| T.R. RTE. | SECTION | COUNTY | TOTAL SHEETS | SHEET NO. |
| 2442 | 04-08107-00-BR | KANE | 80 | 45 |
| CONTRACT NO. 63644 | | | | |
| FED. ROAD DIST. NO. | | ILLINOIS FED. AID PROJECT | | |