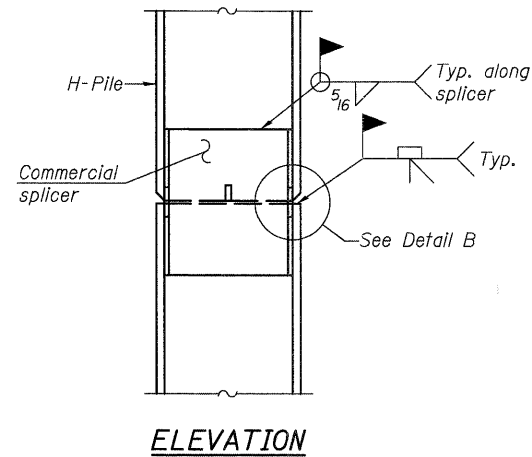
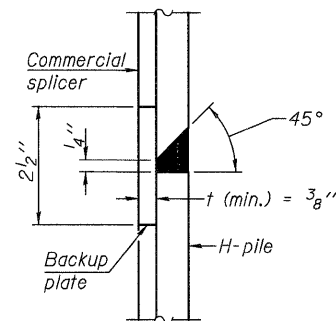


**STEEL PILE TABLE**

| Designation | Depth d | Flange width bf | Web and Flange thickness t | Encasement diameter A |
|-------------|---------|-----------------|----------------------------|-----------------------|
| HP 14x117   | 14 1/4" | 14 7/8"         | 1 3/16"                    | 30"                   |
| x102        | 14"     | 14 3/4"         | 1 1/16"                    | 30"                   |
| x89         | 13 5/8" | 14 3/4"         | 5/8"                       | 30"                   |
| x73         | 13 5/8" | 14 5/8"         | 1/2"                       | 30"                   |
| HP 12x84    | 12 1/4" | 12 4/4"         | 1 1/16"                    | 24"                   |
| x74         | 12 1/8" | 12 4/4"         | 5/8"                       | 24"                   |
| x63         | 12"     | 12 3/8"         | 1/2"                       | 24"                   |
| x53         | 11 3/4" | 12"             | 7/16"                      | 24"                   |
| HP 10x57    | 10"     | 10 1/4"         | 9/16"                      | 24"                   |
| x42         | 9 3/4"  | 10 1/8"         | 7/16"                      | 24"                   |
| HP 8x36     | 8"      | 8 1/8"          | 7/16"                      | 18"                   |

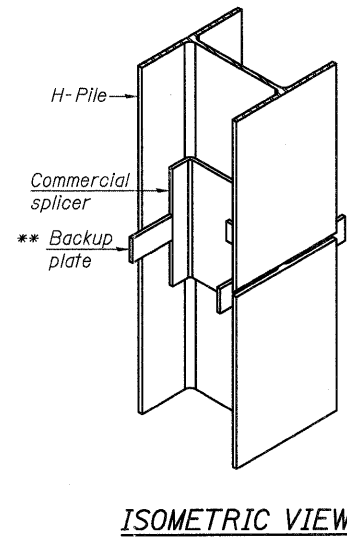


**ELEVATION**

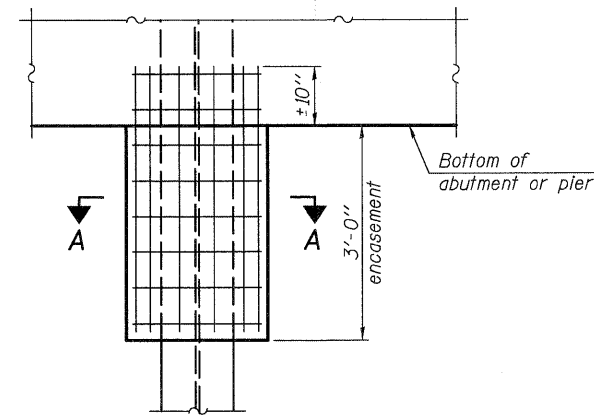


**DETAIL "B"**

**WELDED COMMERCIAL SPLICE**

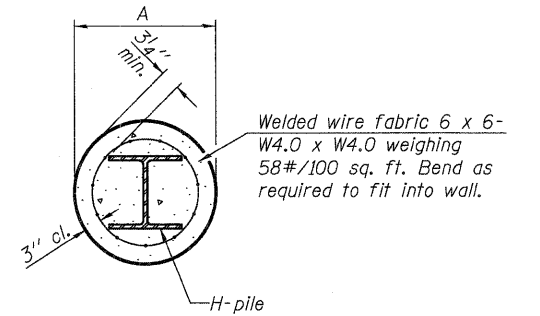


**ISOMETRIC VIEW**



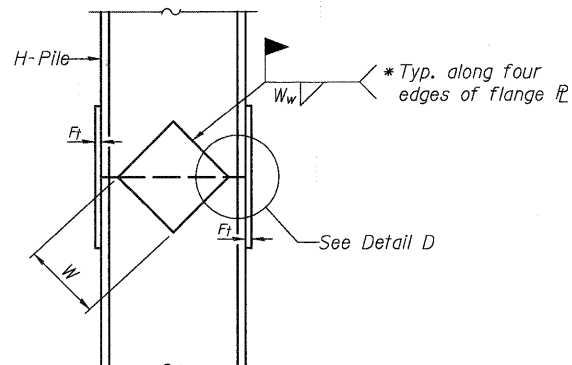
**ELEVATION**

**PILE ENCASEMENT**

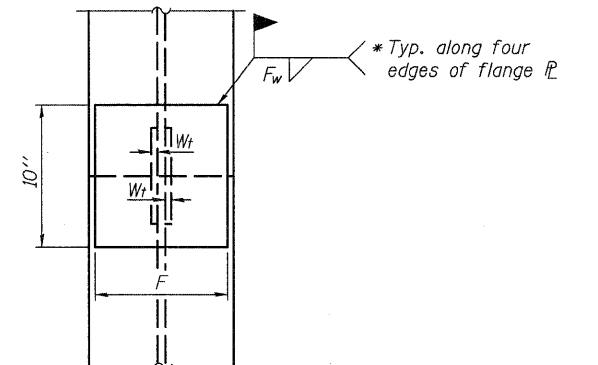


**SECTION A-A**

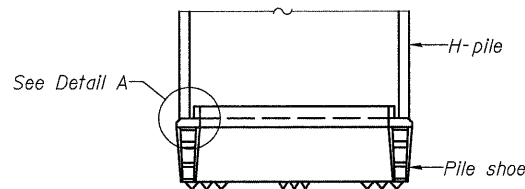
Note:  
Forms for encasement may be omitted when soil conditions permit.



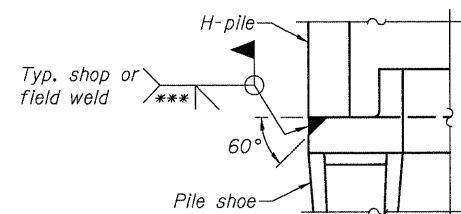
**ELEVATION**



**END VIEW**

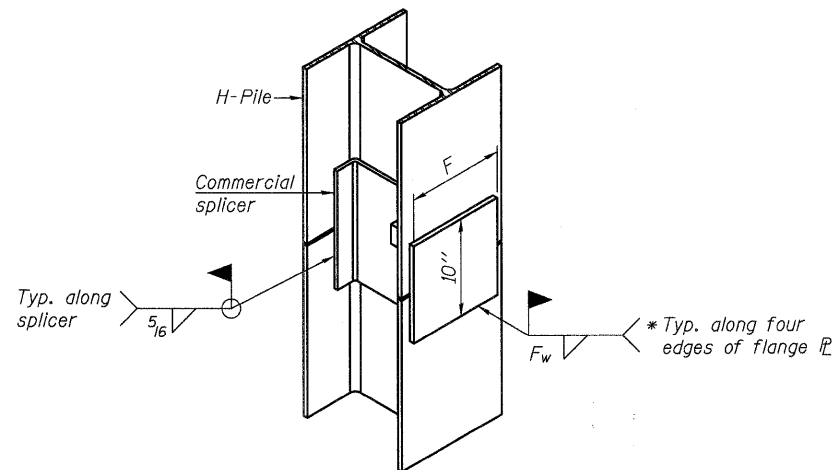


**ELEVATION**



**DETAIL A**

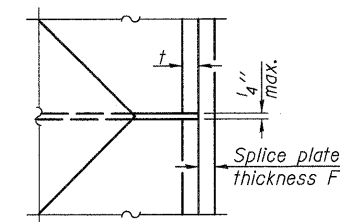
**H-PILE SHOE ATTACHMENT**



**ISOMETRIC VIEW**

**WELDED COMMERCIAL SPLICE ALTERNATE**

- \* Interrupt welds 1/4" from end of web and/or each flange.
- \*\* Remove portions of backup plates that extend outside the flanges.
- \*\*\* Weld size per pile shoe manufacturer (5/16" min.).



**DETAIL D**

**WELDED PLATE FIELD SPLICE**

| Designation | F       | Ft   | Fw    | W      | Wt     | Ww   |
|-------------|---------|------|-------|--------|--------|------|
| HP 14x117   | 12 1/2" | 1"   | 7/8"  | 7 3/4" | 5 8/8" | 1/2" |
| x102        | 12 1/2" | 7/8" | 3/4"  | 7 3/4" | 5 8/8" | 1/2" |
| x89         | 12 1/2" | 3/4" | 1/16" | 7 3/4" | 5 8/8" | 1/2" |
| x73         | 12 1/2" | 5/8" | 9/16" | 7 3/4" | 5 8/8" | 1/2" |
| HP 12x84    | 10"     | 7/8" | 1/16" | 6 1/2" | 5 8/8" | 1/2" |
| x74         | 10"     | 7/8" | 1/16" | 6 1/2" | 5 8/8" | 1/2" |
| x63         | 10"     | 5/8" | 1/2"  | 6 1/2" | 1/2"   | 3/8" |
| x53         | 10"     | 5/8" | 1/2"  | 6 1/2" | 1/2"   | 3/8" |
| HP 10x57    | 8"      | 3/4" | 9/16" | 5 1/4" | 1/2"   | 3/8" |
| x42         | 8"      | 5/8" | 9/16" | 5 1/4" | 1/2"   | 3/8" |
| HP 8x36     | 7"      | 5/8" | 7/16" | 4 1/4" | 1/2"   | 3/8" |

Note:  
The steel H-piles shall be according to AASHTO M270 Grade 50.

F-HP 7-1-10

FILE NAME = P:\CUBBEL WEST - Projects\2009\04-0873 - Iroquois\Structural\Drawings\04-0873-015-HP-1.dwg

**WILLS BURKE KELSEY ASSOCIATES LTD.**  
116 West Main Street, Suite 201  
St. Charles, Illinois 60174

|                        |                |           |
|------------------------|----------------|-----------|
| USER NAME = nporris    | DESIGNED - DLS | REVISED - |
| PLOT SCALE =           | CHECKED - AEU  | REVISED - |
| PLOT DATE = 12/16/2011 | DRAWN - DLS    | REVISED - |
|                        | CHECKED - AEU  | REVISED - |

**STATE OF ILLINOIS  
DEPARTMENT OF TRANSPORTATION**

**HP PILE DETAILS  
STRUCTURE NO. 045-3180**

SHEET NO. 15 OF 17 SHEETS

|   |                        |             |                    |              |
|---|------------------------|-------------|--------------------|--------------|
| T.R. RTE. 2442                                | SECTION 04-08107-00-BR | COUNTY KANE | TOTAL SHEETS 80    | SHEET NO. 49 |
| FED. ROAD DIST. NO. ILLINOIS FED. AID PROJECT |                        |             | CONTRACT NO. 63644 |              |