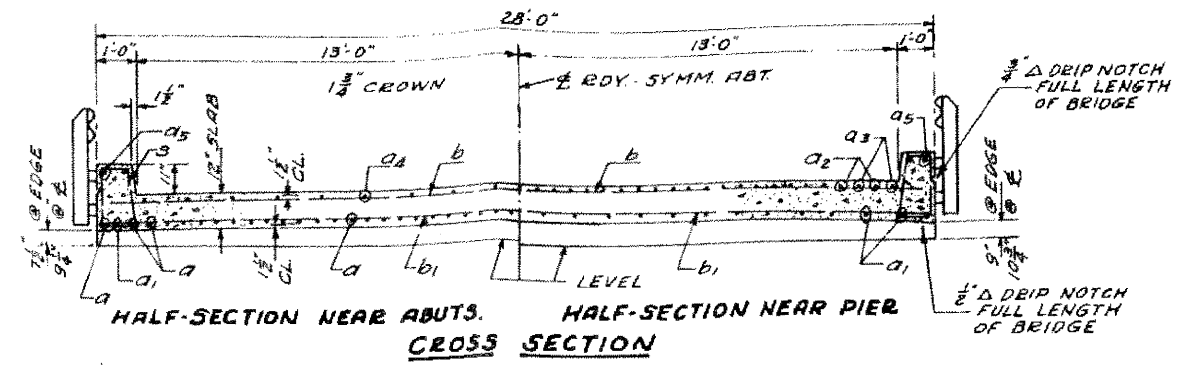
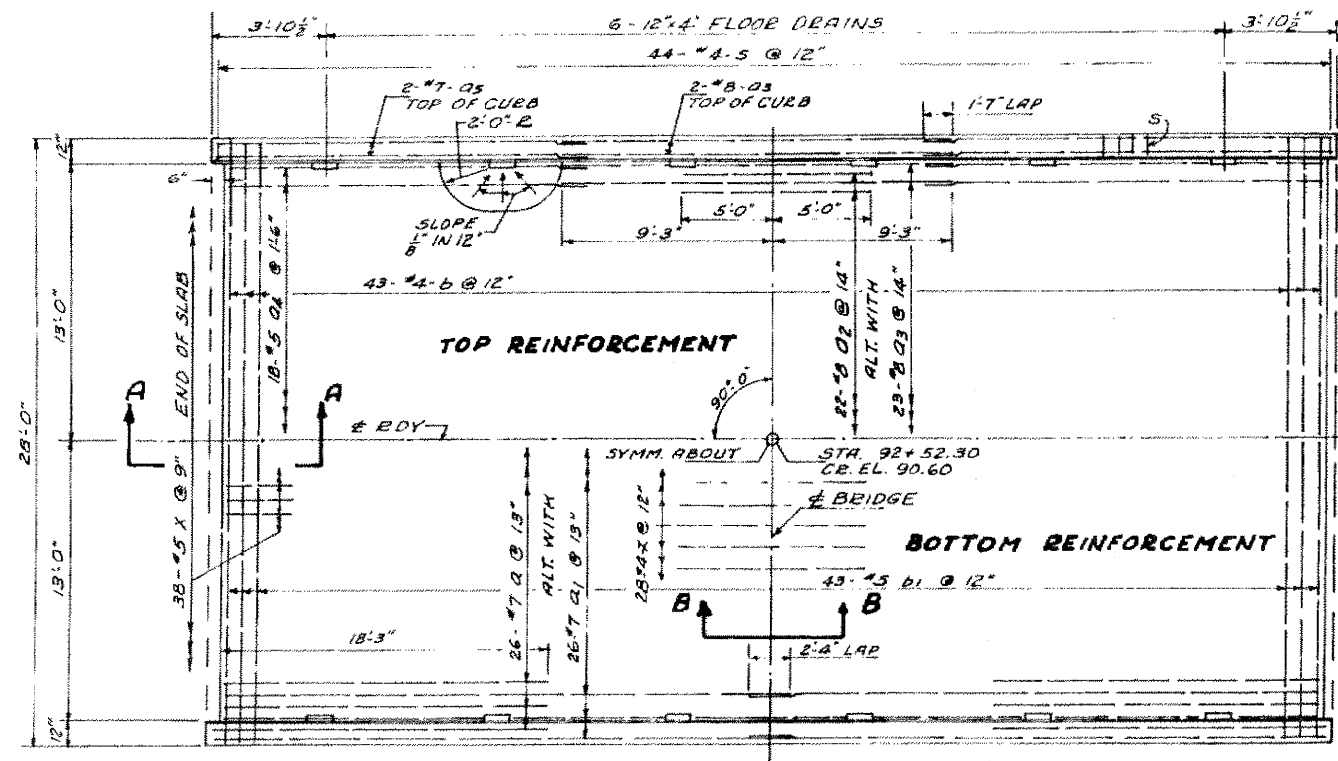


LONGITUDINAL SECTION



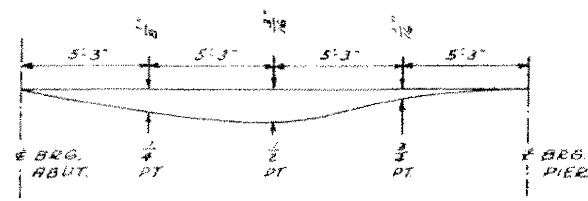
HALF-SECTION NEAR ABUTS. HALF-SECTION NEAR PIER
CROSS SECTION



TOP REINFORCEMENT

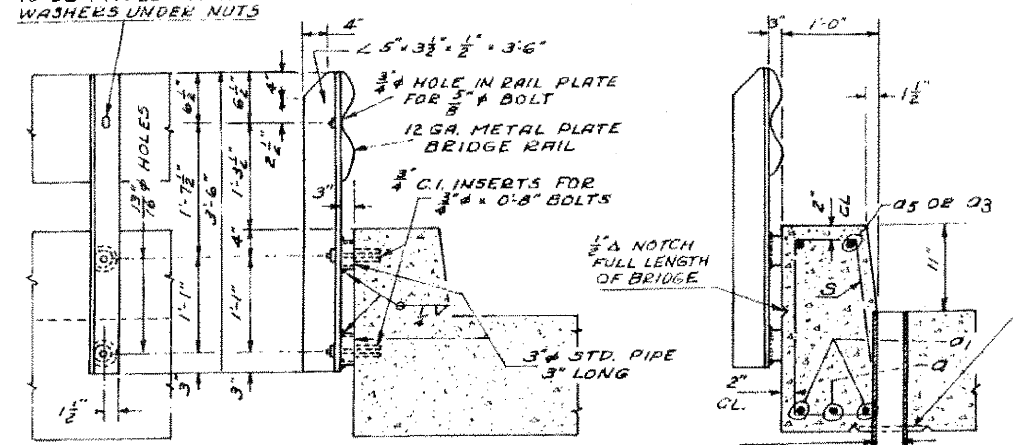
BOTTOM REINFORCEMENT

PLAN OF DECK



D.L. DEFLECTION DIAGRAM

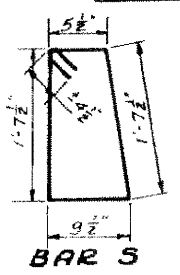
1/2 x 1/2 VERTICAL SLOTS IN RAIL POSTS - BOLTS TO BE FITTED WITH WASHERS UNDER NUTS



HAND RAIL DETAILS

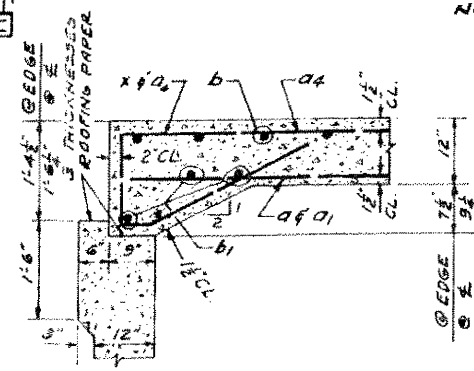
4\"/>

CURB & DRAIN DETAILS

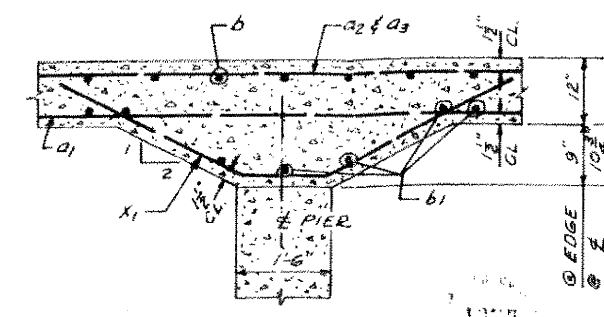


REINFORCEMENT BAR DETAILS

NOTE: ALL BAR DIMENSIONS ARE OUT-TO-OUT DIMENSIONS.



SECTION A-A



SECTION B-B

BILL OF MAT'L. SUPERST.

BAR NO.	SIZE	LENGTH	SHAPE
a	#7	18'-0"	—
a1	#7	22'-5"	—
a2	#8	10'-0"	—
a3	#8	10'-6"	—
a4	#5	13'-7"	—
a5	#7	14'-1"	—
b	#4	27'-0"	—
b1	#5	27'-8"	—
s	#4	5'-3"	—
x	#5	8'-10"	—
x1	#4	8'-0"	—

CLASS X CONCRETE	CYDS.
51.6	

REINFORCEMENT BARS	LB.
10,140	

METAL PLATE BRIDGE RAIL	EA.
81	

NAME PLATES	EA.
1	

BURTON BRIDGE
KANE COUNTY
ELGIN ROAD DISTRICT
SECTION 107 B.T.R.
STATION 92+52.30

45-6-1-5080

FOR REFERENCE ONLY

FILE NAME = P:\CIBEL WEST Projects\2009\45-6-1-5080\Drawings\Struct\WBK\BB.22.dwg

WILLS BURKE KELSEY ASSOCIATES LTD.
116 West Main Street, Suite 201
St. Charles, Illinois 60174

USER NAME = nparis	DESIGNED -	REVISED -
PLOT SCALE =	DRAWN -	REVISED -
PLOT DATE = 12/16/2011	CHECKED - RPD	REVISED -
	DATE - 12/19/11	REVISED -

STATE OF ILLINOIS
DEPARTMENT OF TRANSPORTATION

EXISTING STRUCTURE PLANS FOR REFERENCE ONLY	
SCALE:	SHEET NO. 54 OF 80 SHEETS STA. TO STA.

T.R. RTE.	SECTION	COUNTY	TOTAL SHEETS	SHEET NO.
2442	04-08107-00-BR	KANE	80	54

CONTRACT NO. 63644
FED. ROAD DIST. NO. ILLINOIS FED. AID PROJECT