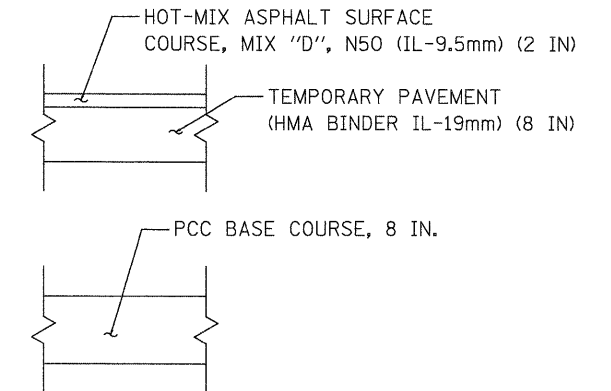
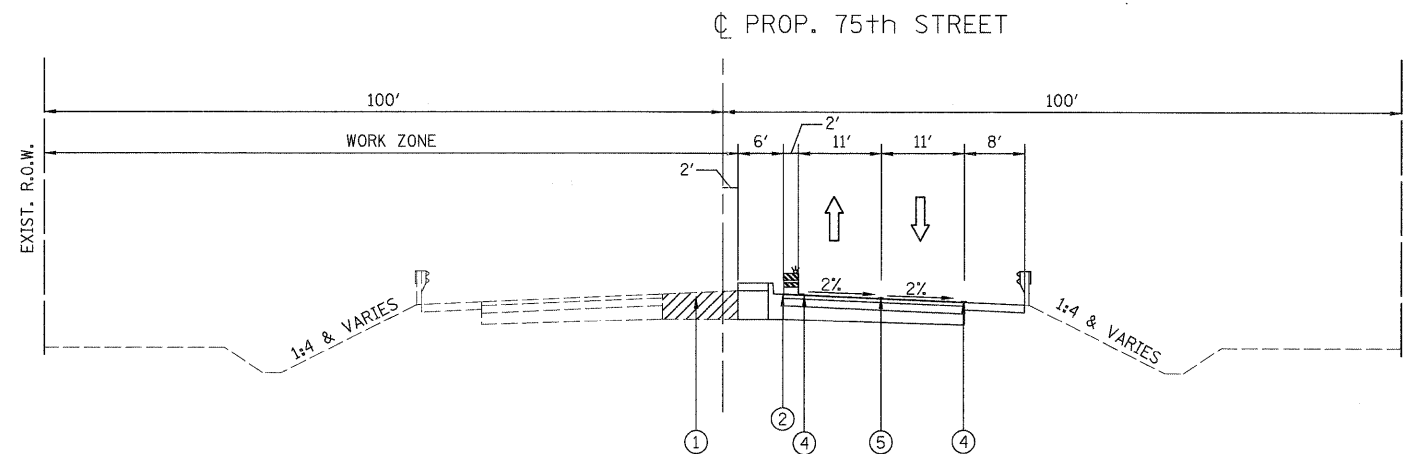


75TH STREET - STAGE I
STA. 22+52.79 TO STA. 24+31.00

TEMPORARY PAVEMENT DETAILS
(CONTRACTOR HAS THE OPTION OF USING HMA OR PCC SECTION FOR TEMPORARY PAVEMENT)



NOTE:
(1) SEE MOT PLANS FOR LOCATIONS OF TEMPORARY PAVEMENT.



75TH STREET - STAGE II
STA. 22+52.79 TO STA. 24+31.00

LEGEND

- ① TEMPORARY PAVEMENT
- ② TYPE II BARRICADES WITH STEADY BURNING LIGHTS (50 FT C-C TANGENTS, 25 FT C-C @ TAPERS & 12 FT C-C ALONG RADII)
- ③ EXISTING PAVEMENT MARKING
- ④ TEMPORARY PAVEMENT MARKING, 4"
- ⑤ TEMPORARY PAVEMENT MARKING, DBL 4"

USER NAME = tkoeppen(Rdwg_Lisle)	DESIGNED - JAC	REVISED -	PATRICK ENGINEERING INC. 4870 VARSITY DRIVE LISLE, IL 60532 patrickengineering.com	DUPAGE COUNTY DIVISION OF TRANSPORTATION	SUGGESTED STAGES OF CONSTRUCTION - TYPICAL SECTIONS 75TH STREET OVER EAST BRANCH DUPAGE RIVER	FAP RTE.	SECTION	COUNTY	TOTAL SHEETS	SHEET NO.	
PLOT CONFIG = PDF(Grey_Large).plt	DRAWN - JAC	REVISED -				0369	08-00162-03-BR	DUPAGE	58	12	
PLOT SCALE = 1:12.5	CHECKED - DES	REVISED -				CONTRACT NO. 63662					
PLOT DATE = 12/15/2011	DATE - 12-19-2011	REVISED -				FED. ROAD DIST. NO. [ILLINOIS] FED. AID PROJECT					
SCALE: NONE						SHEET	* OF *	STA.	TO STA.		