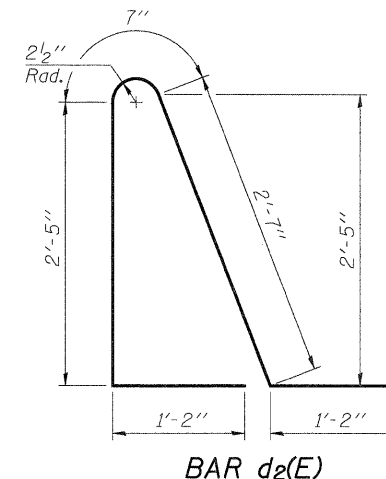
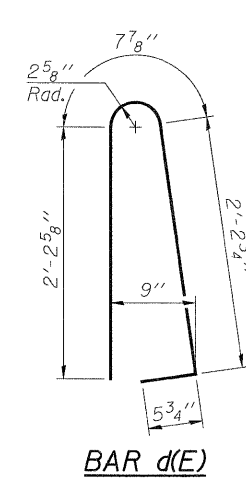
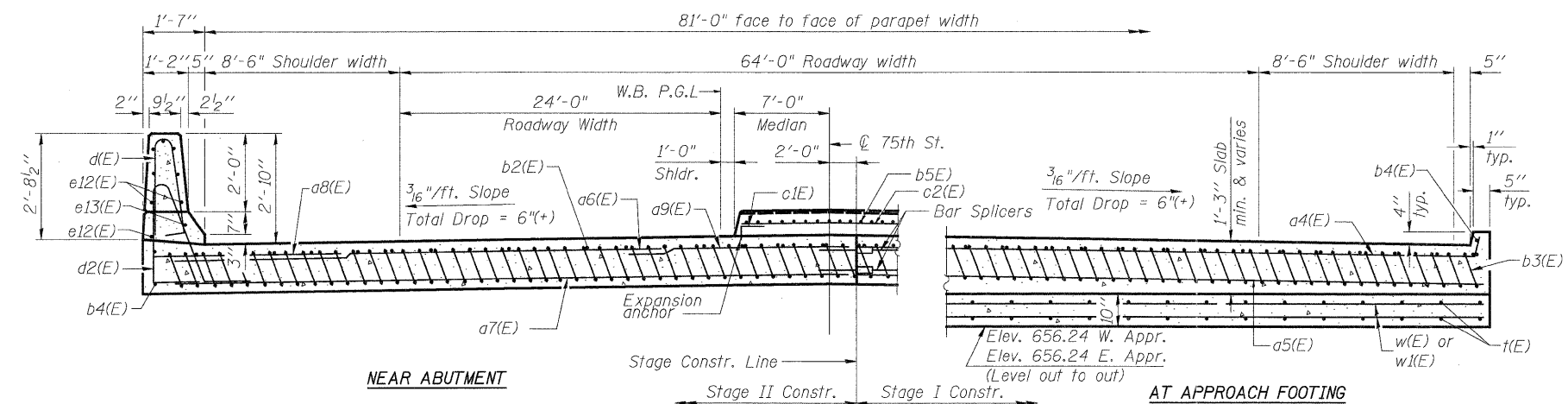


Notes:

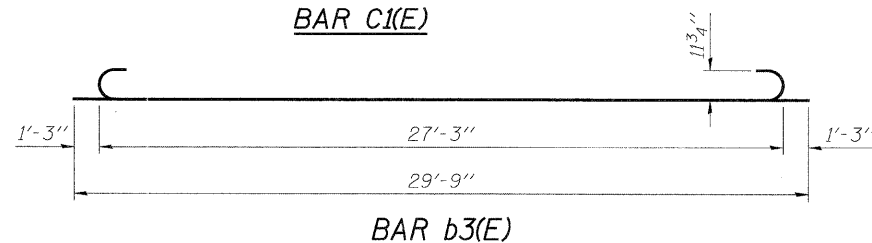
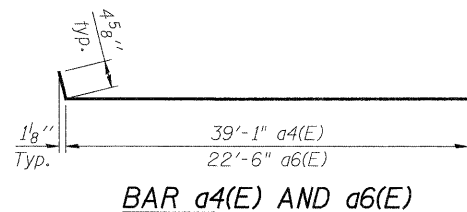
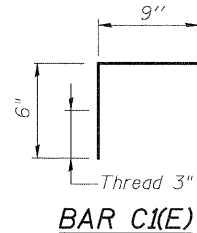
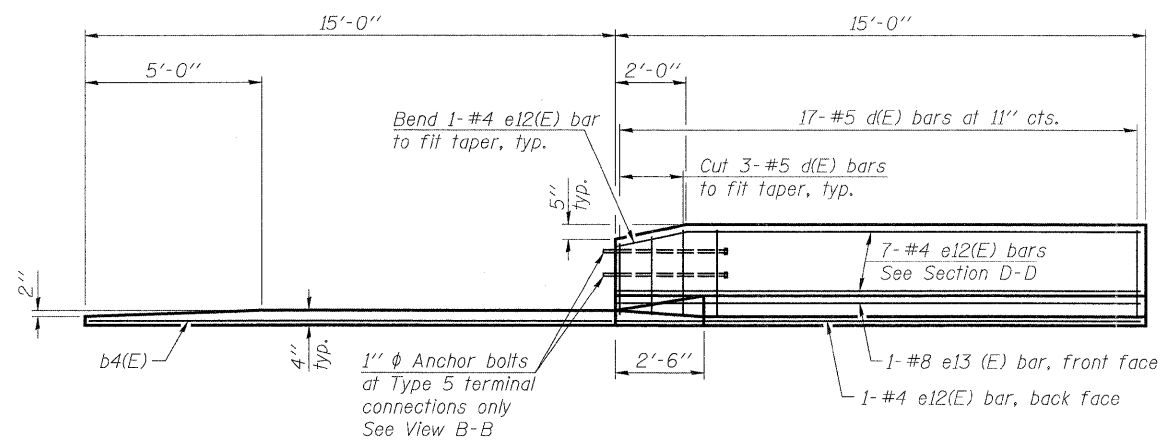
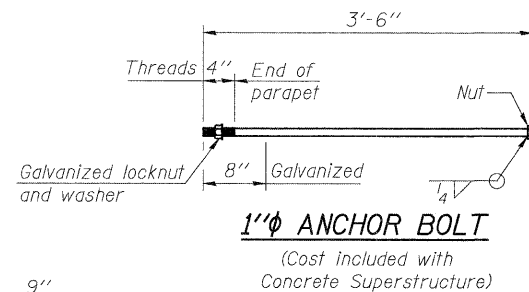
See sheet S16 of S24 for Detail A and View B-B.  
 Approach slab and parapet concrete shall be paid for as Concrete Superstructure.  
 Approach footing concrete shall be paid for as Concrete Structures.  
 Reinforcement shall be paid for as Reinforcement Bars, Epoxy Coated.  
 For v(E) bar details, see sheet S19 of S24.  
 The approach footing maximum applied service bearing pressure ( $Q_{max}$ ) = 2.0 ksf.  
 For bar splicer details, see sheet S22 of S24.  
 Cost of excavation for approach footing included with Concrete Structures.  
 For Porous Granular Embankment (Special) and drainage treatment details, see sheet S2 of S24.  
 For additional parapet details, see sheet S13 of S24.  
 See Superstructure Cross Section for median details not shown on this sheet.



\* Tilt #9 b3(E) bars as required to maintain clearance.  
 \*\*\* Cost included with Concrete Superstructure.

**TWO APPROACHES  
BILL OF MATERIAL**

**MINIMUM BAR LAP**  
#4 bar = 2'-0"



Bar	No.	Size	Length	Shape
a4(E)	50	#4	39'-6"	┌───┐
a5(E)	92	#5	39'-1"	┌───┐
a6(E)	50	#4	22'-11"	┌───┐
a7(E)	92	#5	43'-1"	┌───┐
a8(E)	48	#6	6'-6"	┌───┐
a9(E)	50	#4	22'-6"	┌───┐
b2(E)	134	#4	29'-8"	┌───┐
b3(E)	400	#9	29'-9"	┌───┐
b4(E)	8	#4	14'-8"	┌───┐
b5(E)	30	#5	29'-8"	┌───┐
c1(E)	120	#5	1'-3"	┌──┐
c2(E)	60	#5	13'-6"	┌───┐
d(E)	68	#5	5'-7"	┌──┐
d2(E)	68	#5	7'-11"	┌──┐
e12(E)	32	#4	14'-8"	┌───┐
e13(E)	4	#8	14'-8"	┌───┐
t(E)	336	#4	9'-8"	┌───┐
w(E)	80	#5	39'-2"	┌───┐
w1(E)	80	#5	43'-2"	┌───┐
Concrete Superstructure	Cu. Yd.		269.7	
Concrete Structures	Cu. Yd.		51.1	
Reinforcement Bars, Epoxy Coated	Pound		66,780	
Bar Splicers	Each		222	
Protective Coat	Sq. Yd.		605	
Bridge Deck Grooving	Sq. Yd.		424	

BA-0

7-1-10

PATRICK ENGINEERING INC.  
4970 VARSITY DRIVE  
LISLE, IL 60532  
patrickengineering.com

USER NAME =	DESIGNED - RDW	REVISED -
PLOT CONFIG	CHECKED - RLD	REVISED -
PLOT SCALE =	DRAWN - APD	REVISED -
PLOT DATE =	CHECKED - RLD	REVISED -

DUPAGE COUNTY  
DIVISION OF TRANSPORTATION

APPROACH SLAB DETAILS II  
75TH STREET OVER EAST BRANCH DUPAGE RIVER

SHEET NO. S17 OF S24 SHEETS

FAP RTE.	SECTION	COUNTY	TOTAL SHEETS	SHEET NO.
0369	08-00162-03-BR	DUPAGE	58	40
CONTRACT NO. 63662				
ILLINOIS FED. AID PROJECT				