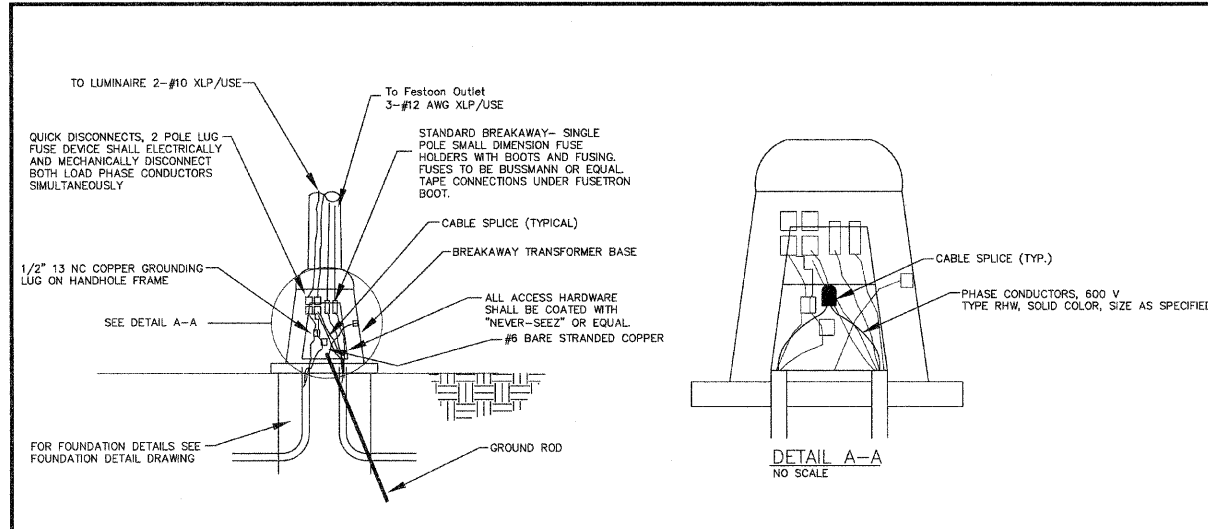
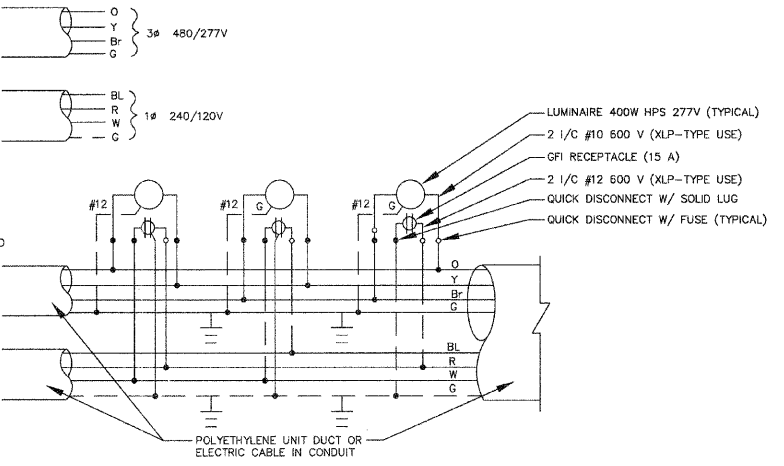


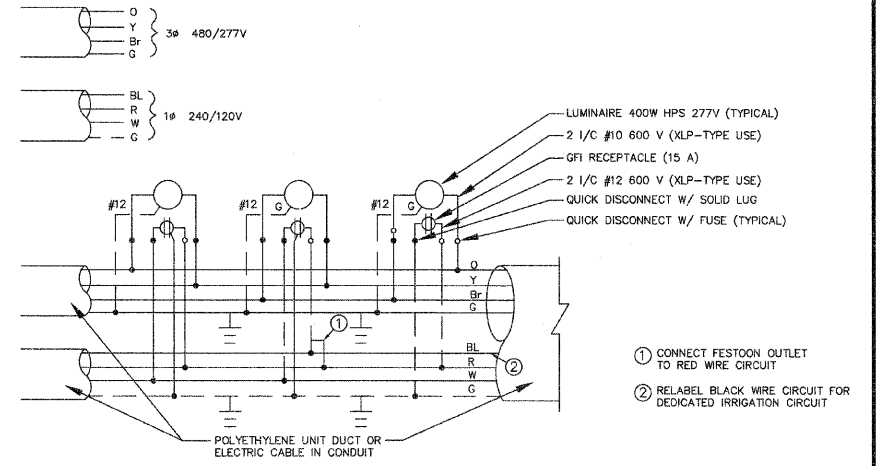
J:\PROJECTS\7005\0745-VILLAGE OF OAK BROOK\008-22ND STREET ITEP ENHANCEMENTS\H GRAPHICS\05-DD-CV\12-ELECTRICAL DETAILS AND NOTES.DWG 12  
 Plotfile: 12/19/2011 5:03 PM By: TKING  
 Copyright © 2011, By: Hitchcock Design Group



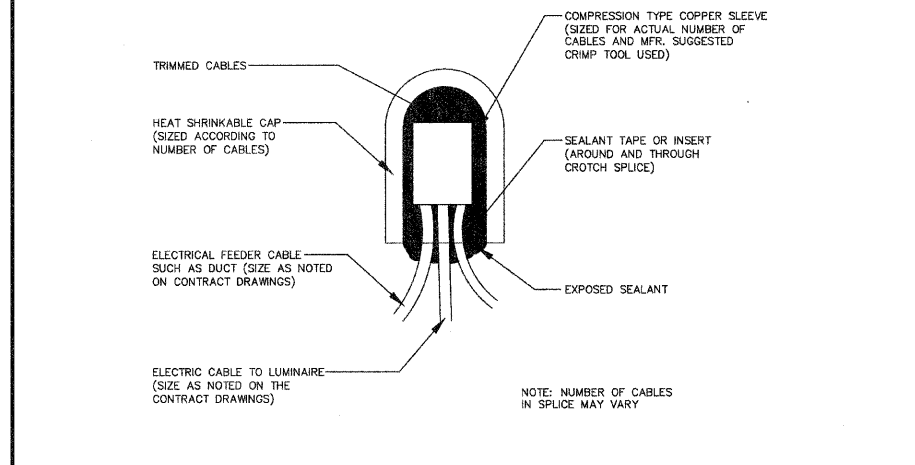
EXISTING POLE BASE DETAIL  
NO SCALE



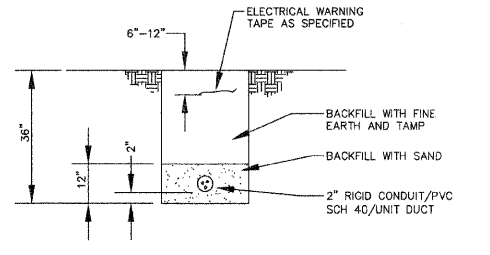
EXISTING LIGHT POLE WIRING W/FESTOON  
 240/120 VOLT 1 PHASE 6 WIRE  
 480/277 VOLT 3 PHASE LIGHTING  
 240/120 VOLT 1 PHASE FESTOON



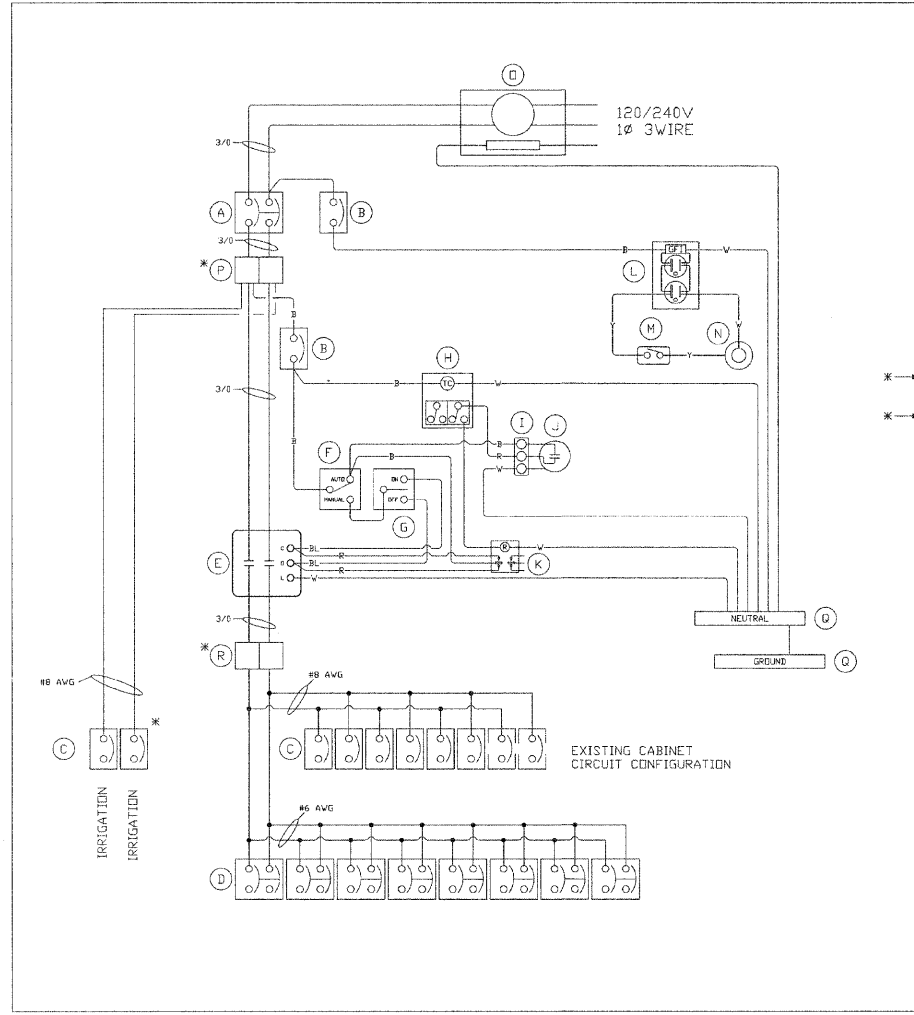
EXISTING LIGHT POLE WIRING W/FESTOON (MODIFIED)  
 240/120 VOLT 1 PHASE 6 WIRE  
 480/277 VOLT 3 PHASE LIGHTING  
 240/120 VOLT 1 PHASE FESTOON



ABOVE GROUND SPlicing ELECTRIC CABLE  
NO SCALE



TRENCH BACKFILL FOR STREETLIGHTING DETAIL  
NO SCALE



BILL OF MATERIALS		
ITEM	QTY	DESCRIPTION
A	1	C/H ED2200L 2P 200A MAIN BREAKER
B	2	C/H GHC1015 1P 15A CTRL/AUX BREAKER
C	8	C/H GHC1030 1P 30A FESTOON BREAKERS
D	8	C/H GHC2050 2P 50A BRANCH BREAKERS
E	1	SQ.D. 8903PBV10V02 120V COIL CONTACTOR
F	1	LEVITON CSB3-20 3-WAY TOGGLE SWITCH
G	1	LEVITON 1257 MOMENTARY SWITCH
H	1	TORK DZS200BP 2 CH TIME CLOCK
I	1	CINCH 3PT TERMINAL BLOCK
J	1	FISHER PIERCE FFA105M PHOTOCELL
K	1	MAGNECRAFT W389ACX-9 120V COIL RELAY
L	1	HUBBELL GF201L 20A GFCI RECP.
M	1	MICRO BA-2RQ1-A2 DDDR SWITCH
N	1	RAB VX100DG LIGHT FIXTURE
O	1	MILBANK UB949-RL-TG-KK METER FITTING
P	2	FERRAZ 69132 SPLICE BLOCK
Q	2	12 x 1 x 1/4 GROUND/NEUTRAL BUS
R	2	FERRAZ 67622 SPLICE BLOCK

NOTES:  
 1. ALL POWER WIRING WILL BE RHH/RHW  
 2. ALL CONTROL WIRING WILL BE #12 MTW  
 3. WIRE COLORS:  
 BL = BLUE  
 W = WHITE  
 B = BLACK  
 R = RED  
 Y = YELLOW

\* - CABINET MODIFICATION

SCALE: NTS	APPROVED BY:	DRAWN BY: JLM
DATE: 11/20/11		REVISED:
VILLAGE OF OAK BROOK		
22ND STREET - 1S1HA 1-06-551B		
FESTOON LIGHTING CONTROLLER		DRAWING NUMBER: 11201101JB

EXISTING FESTOON CABINET SCHEMATIC



DESIGNED - MEU	REVISED -
DRAWN - BLG	REVISED -
CHECKED - TCK	REVISED -
DATE - 12-19-11	REVISED -

STATE OF ILLINOIS  
DEPARTMENT OF TRANSPORTATION

ELECTRICAL DETAILS AND NOTES

SCALE: AS SHOWN PROJECT - 03-0745-008

F.A.U. RTE. 1453	SECTION 11-00043-00-LS	COUNTY DUPAGE	TOTAL SHEETS 20	SHEET NO. 12
CONTRACT 63663				
FED. ROAD DIST. NO. 1 ILLINOIS FED. AID PROJECT TE-001 (872)				