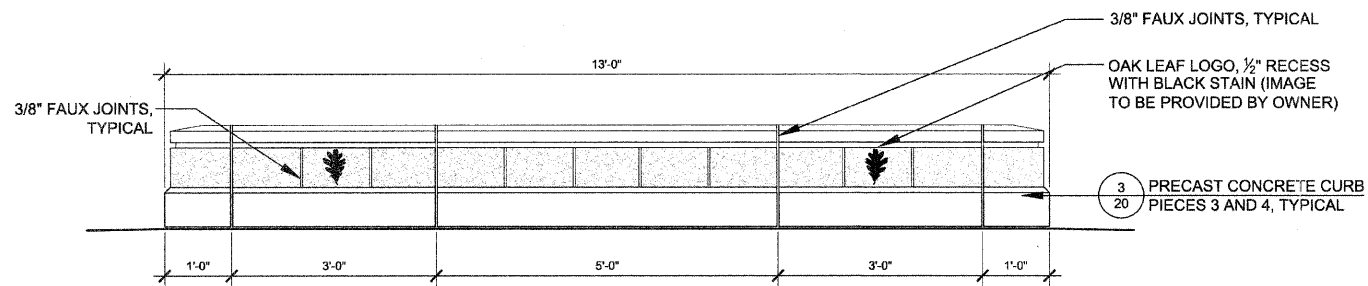
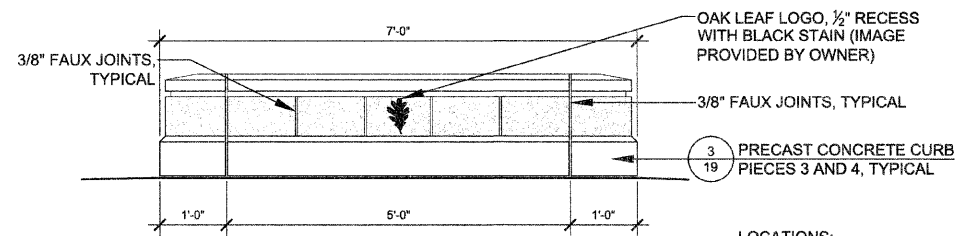


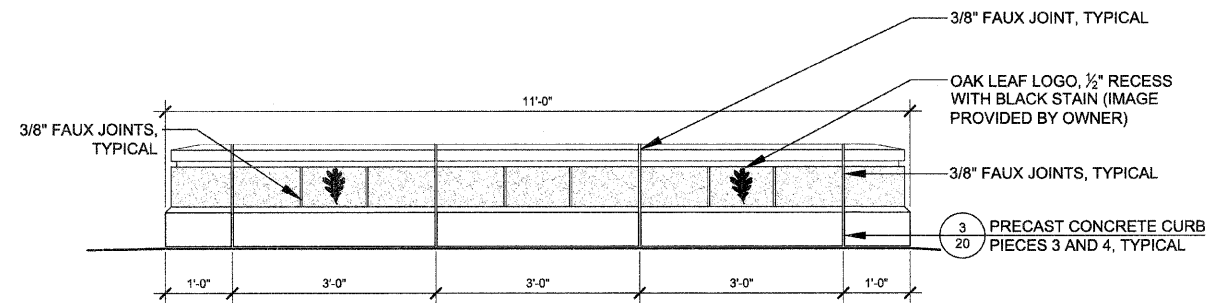
J:\PROJECTS\7005\0745-VILLAGE OF OAK BROOK\008-22ND STREET ITP ENHANCEMENTS\H GRAPHICS\05-DD-CD\17-20-CONSTRUCTION DETAILS.DWG 19  
 PLOT: 12/19/2011 5:10 PM BY: TKING  
 Copyright © 2011, By: Hitchcock Design Group



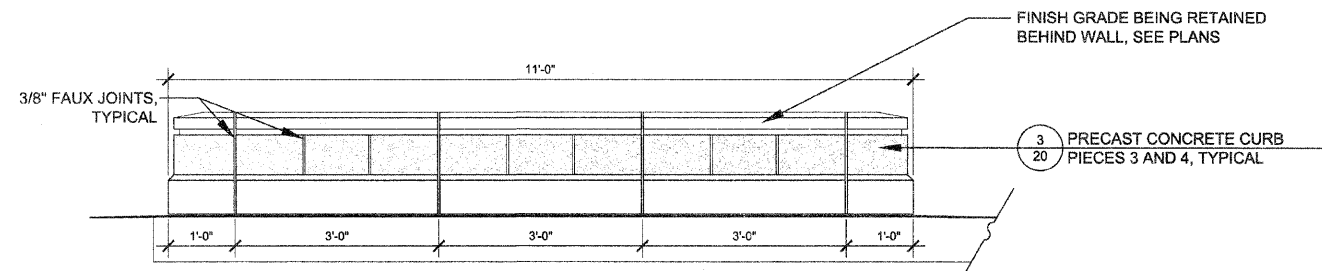
**1** PRECAST CONCRETE CURB - FRONT ELEVATION A  
 SCALE: 3/4" = 1'-0"  
 LOCATIONS:  
 STA. 2110+22.46  
 STA. 2111+47.46  
 D-ELEV-WALL-NOSE A



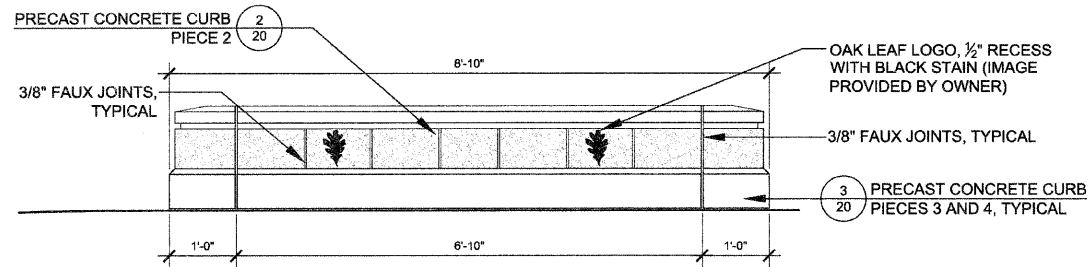
**4** PRECAST CONCRETE CURB - FRONT ELEVATION D  
 SCALE: 3/4" = 1'-0"  
 LOCATIONS:  
 STA. 2135+27.20  
 STA. 2136+28.20  
 D-ELEV-WALL-NOSE D



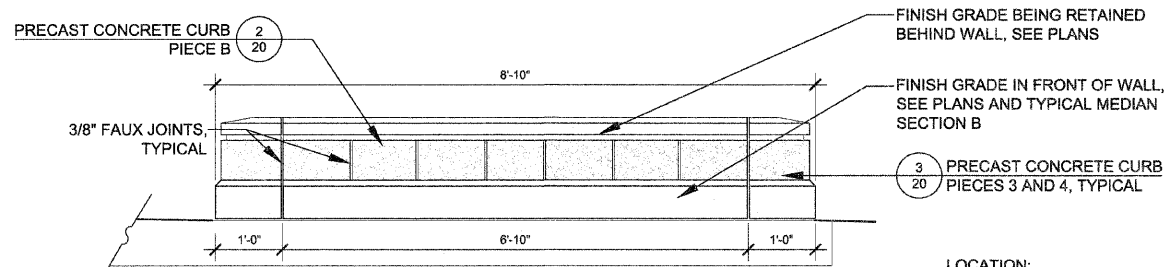
**2** PRECAST CONCRETE CURB - FRONT ELEVATION B  
 SCALE: 3/4" = 1'-0"  
 LOCATIONS:  
 STA. 2116+89.93  
 STA. 2117+90.93  
 STA. 2126+93.27  
 D-ELEV-WALL-NOSE B



**5** PRECAST CONCRETE CURB - END ELEVATION A  
 SCALE: 3/4" = 1'-0"  
 LOCATION:  
 STA. 2125+92.27  
 D-ELEV-WALL-END A



**3** PRECAST CONCRETE CURB - FRONT ELEVATION C  
 SCALE: 3/4" = 1'-0"  
 LOCATION:  
 STA. 2123+28.37  
 D-ELEV-WALL-NOSE C



**6** PRECAST CONCRETE CURB - END ELEVATION B  
 SCALE: 3/4" = 1'-0"  
 D-END-ELEV-WALL-B



DESIGNED - MEU	REVISED -
DRAWN - BLG	REVISED -
CHECKED - TCK	REVISED -
DATE - 12-19-11	REVISED -

STATE OF ILLINOIS  
 DEPARTMENT OF TRANSPORTATION

CONSTRUCTION DETAILS

SCALE: AS SHOWN

PROJECT - 03-0745-008

F.A.U. RTE.	SECTION	COUNTY	TOTAL SHEETS	SHEET NO.
1453	11-00043-00-LS	DUPAGE	20	19
CONTRACT 63663				
FED. ROAD DIST. NO. 1 ILLINOIS FED. AID PROJECT TE-001 (872)				