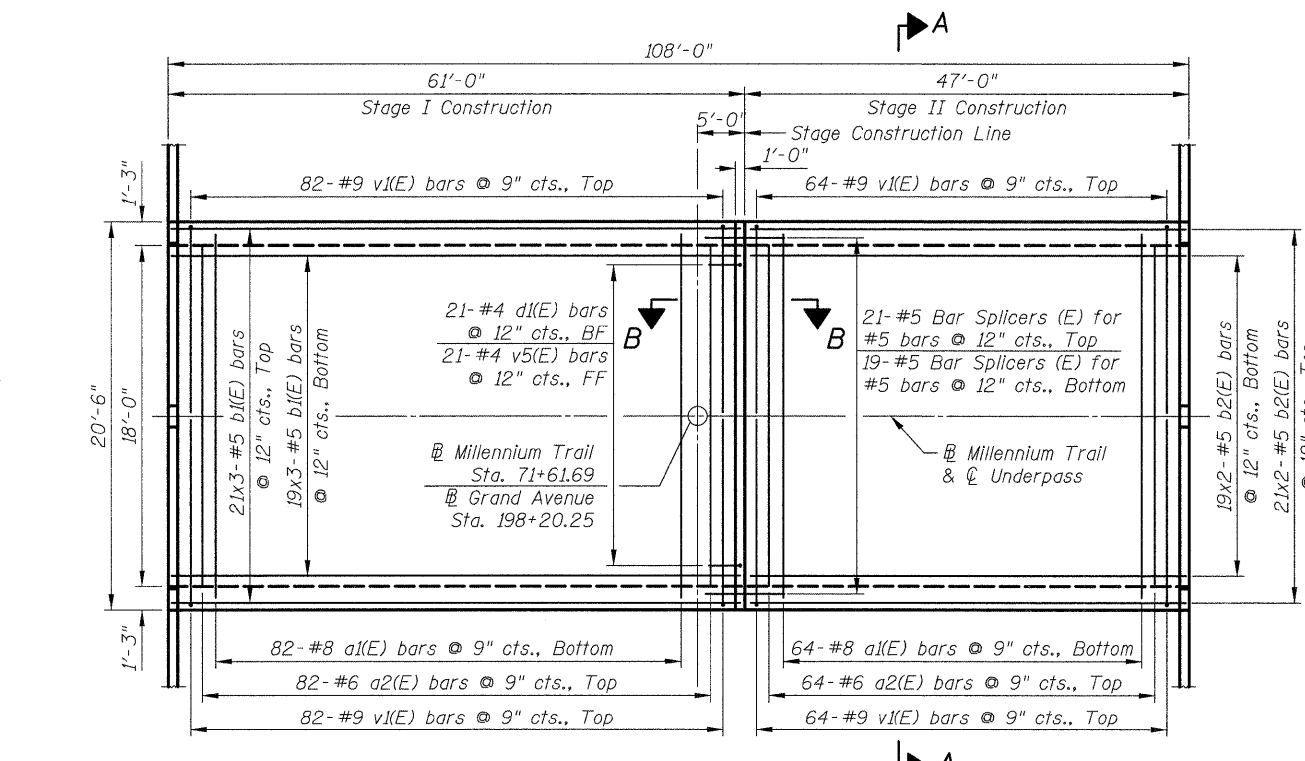
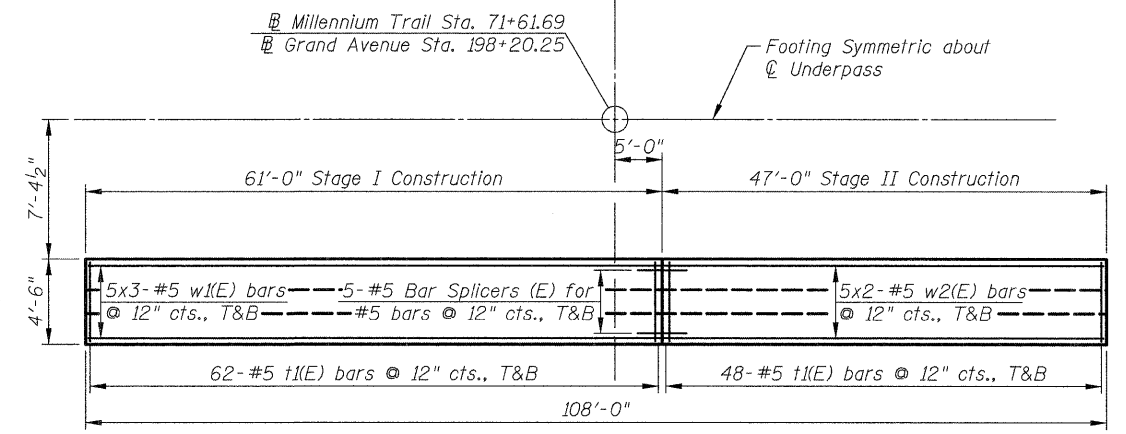
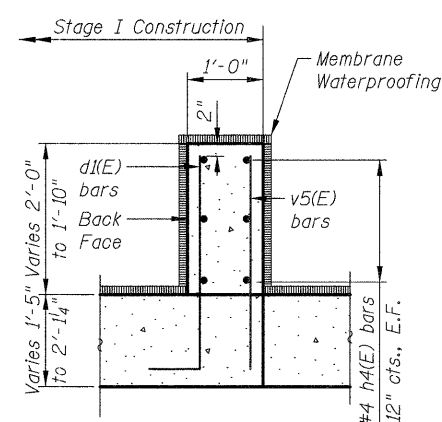


Note:
 Maximum Applied Bearing Pressure = 2,880 psf
 Maximum Allowed Bearing Pressure = 3,000 psf



Note:
 1. See sheet S4 for Bill of Material and Bar Diagrams.
 2. See sheet S5 & S6 for pipe underdrain invert elevations and S7 for Pipe Underdrain Detail.
 3. See sheet S8 for Architectural Details.



MINIMUM LAP

Bar Size	Class C
#4	2'-7"
#5	3'-3"
#6	3'-10"
#7	5'-2"
#8	6'-9"
#9	8'-7"

J:\2322\cod\str\struct\undrpass\03_undrpass.p1cn_rev.dgn
 3:59:51 PM
 1/26/2012