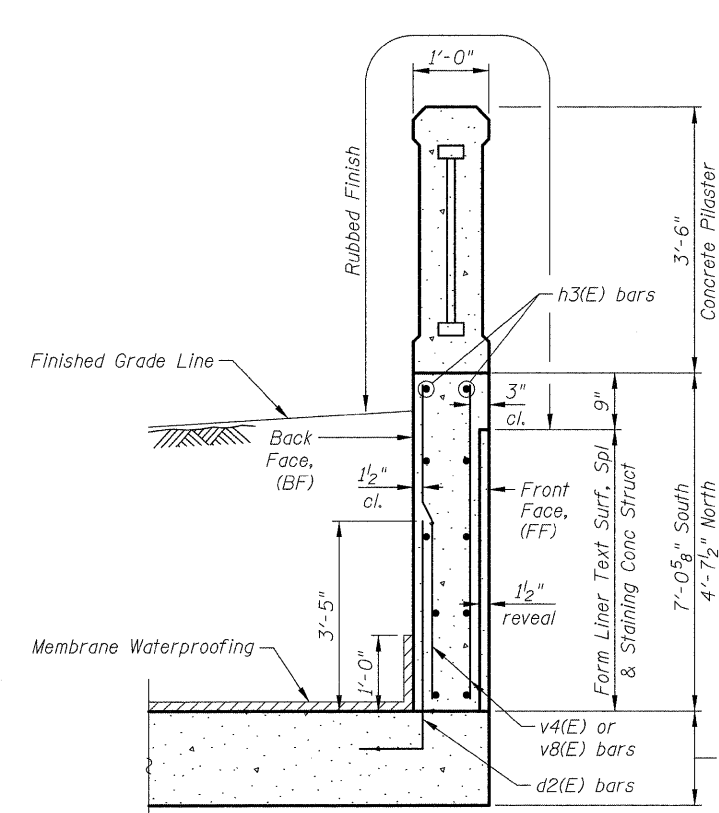


BILL OF MATERIAL

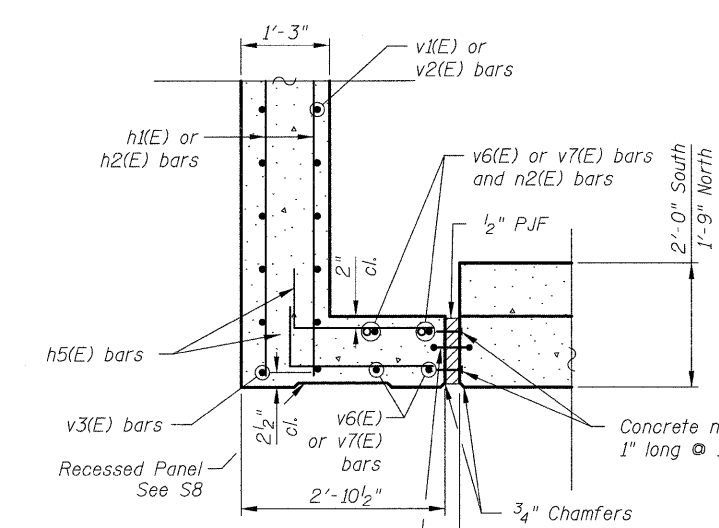
Bar	No.	Size	Length	Shape
a1(E)	146	#8	19'-2"	—
a2(E)	146	#6	18'-0"	—
b1(E)	120	#5	22'-5"	—
b2(E)	80	#5	25'-0"	—
d1(E)	21	#4	3'-6"	L
d2(E)	42	#5	5'-2"	L
h1(E)	180	#5	22'-5"	—
h2(E)	120	#5	25'-0"	—
h3(E)	28	#4	23'-5"	—
h4(E)	6	#4	20'-2"	—
h5(E)	128	#5	3'-0"	—
n1(E)	220	#5	5'-2"	L
n2(E)	8	#6	6'-1"	L
v1(E)	292	#9	12'-6"	L
v2(E)	292	#6	12'-7"	—
v3(E)	292	#5	14'-10"	—
v4(E)	42	#4	6'-8"	—
v5(E)	21	#4	2'-10"	—
v6(E)	8	#5	21'-11"	—
v7(E)	8	#5	19'-6"	—
v8(E)	42	#4	4'-3"	—
t1(E)	440	#5	4'-2"	—
w1(E)	60	#5	22'-5"	—
w2(E)	40	#5	25'-0"	—
Item	Unit	Quantity		
Porous Granular Embankment	Cu. Yd.	709		
Structure Excavation	Cu. Yd.	2,187		
Concrete Structures	Cu. Yd.	336.5		
Rubbed Finish	Sq. Ft.	3,674		
Reinforcement Bars, Epoxy Coated	Pound	53,910		
Membrane Waterproofing	Sq. Ft.	2,543		
Geocomposite Wall Drain	Sq. Yd.	341		
Pipe Underdrain for Structures, 4"	Foot	256		
Staining Concrete Structures	Sq. Yd.	144		
Form Liner Textured Surface, Special	Sq. Ft.	1,292		

Bars indicated thus 13x3-#6 etc. indicates 13 lines of bars with 3 lengths per line.

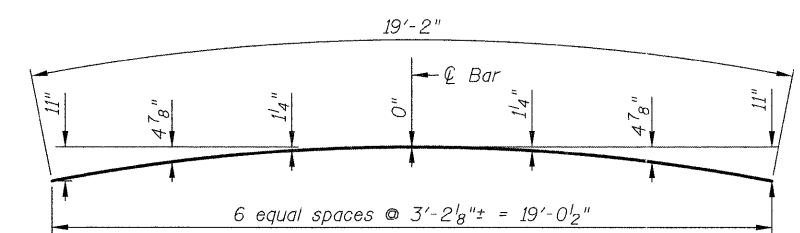


SECTION C-C

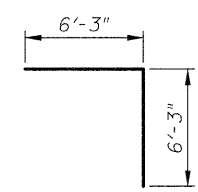
(Pilaster and Underpass Reinforcement Not Shown)



SECTION D-D



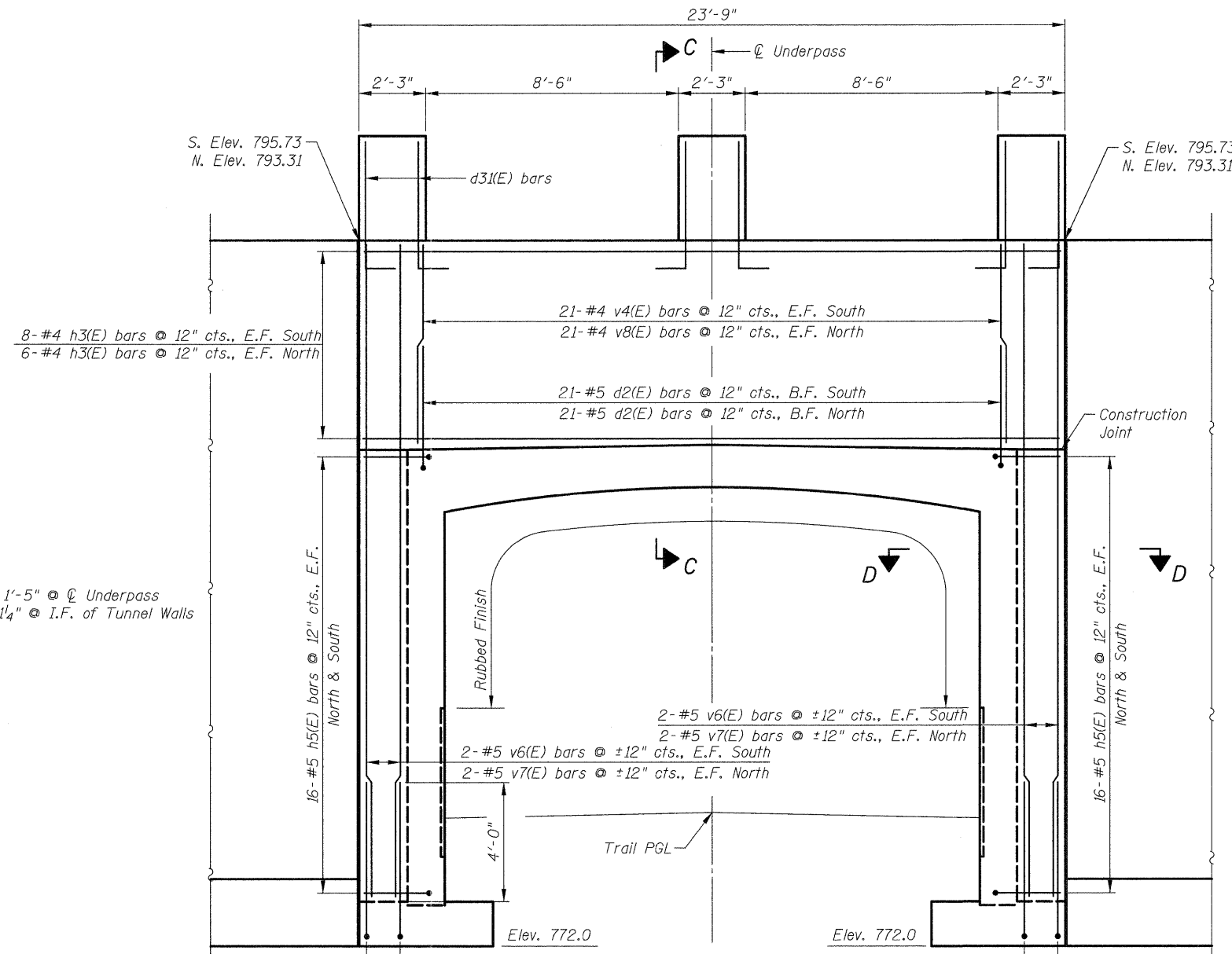
BAR a1(E)



BAR v1(E)

BARS d1(E), d2(E), h5(E), n1(E) & n2(E)

Bar	A	B
d1(E)	8"	2'-10"
d2(E)	10"	4'-4"
h5(E)	10"	2'-2"
n1(E)	10"	4'-4"
n2(E)	1'-0"	5'-1"



ENTRANCE ELEVATION

4/10/2012 4:40:42 PM J:\2322\cad\struct\Underpass\04_underpass_details_rev.dgn