

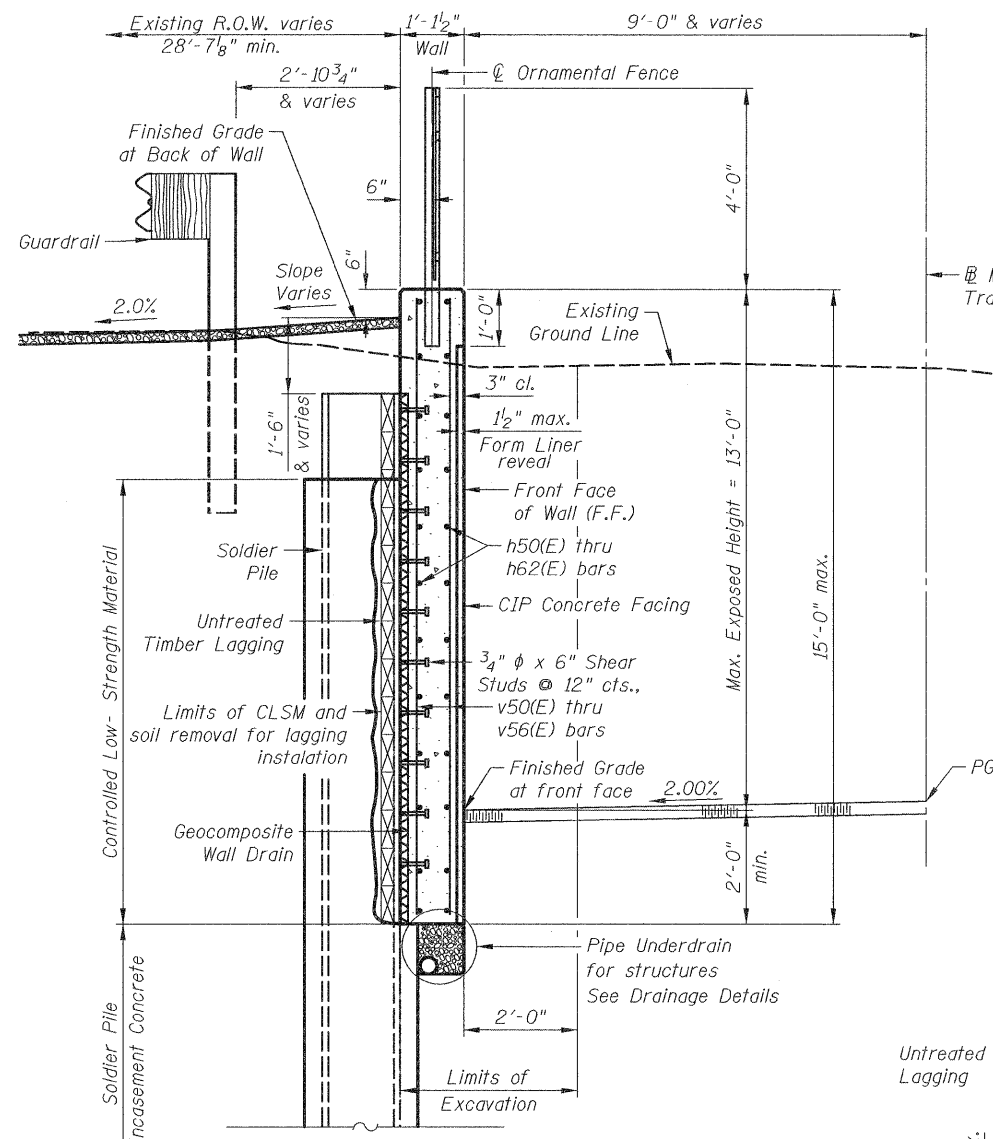
BILL OF MATERIAL

Bar	No.	Size	Length	Shape
h50(E)	52	#4	25'-11"	
h51(E)	4	#4	20'-5"	
h52(E)	22	#4	23'-0"	
h53(E)	96	#4	27'-11"	
h54(E)	2	#4	14'-5"	
h55(E)	52	#4	25'-0"	
h56(E)	2	#4	12'-10"	
h57(E)	50	#4	26'-7"	
h58(E)	28	#4	23'-8"	
h59(E)	2	#4	9'-1"	
h60(E)	4	#4	28'-11"	
h61(E)	4	#4	32'-5"	
h62(E)	4	#4	27'-2"	
v50(E)	66	#4	4'-2"	
v51(E)	26	#4	10'-4"	
v52(E)	52	#4	15'-11"	
v53(E)	50	#4	23'-2"	
v54(E)	18	#4	27'-11"	
v55(E)	68	#4	14'-8"	
v56(E)	38	#4	19'-0"	

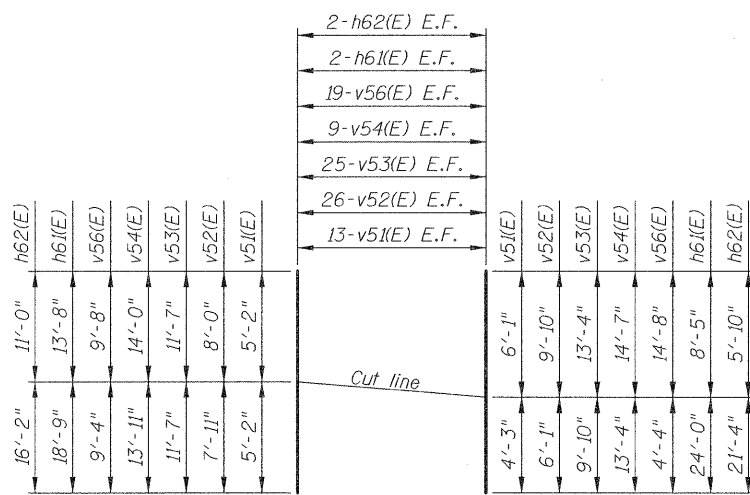
ITEM	UNIT	QUANTITY
Structure Excavation	Cu. Yd.	377
Concrete Structures	Cu. Yd.	148.6
Stud Shear Connectors	Each	431
Reinforcement Bars, Epoxy Coated	Pound	8,910
Geocomposite Wall Drain	Sq. Yd.	219
* Drilling and Setting Soldier Piles (In Soil)	Cu. Ft.	4,136
* Untreated Timber Lagging	Sq. Ft.	2,696
* Furnishing Soldier Piles (W Section)	Foot	1,208
* Pipe Underdrains for Structures 4"	Foot	380
Ornamental Fence	Foot	363
* Staining Concrete Structures	Sq. Yd.	342
* Form Liner Textured Surface, Special	Sq. Ft.	3,070

* Indicates Special Provision

Note: See sheet WS1 for Ornamental Fence details.

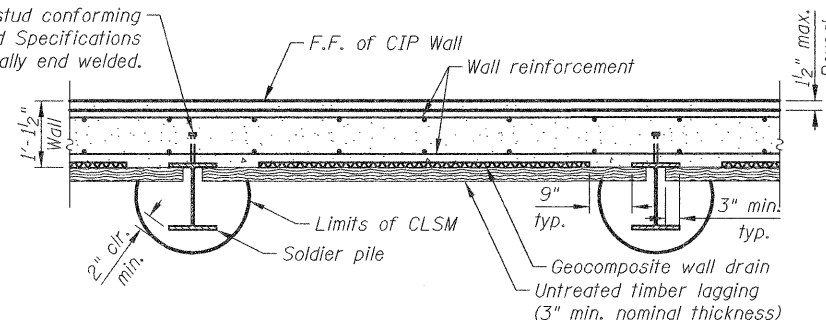


SECTION SOLDIER PILE WALL



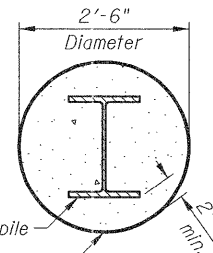
BAR v1(E) thru v4(E), v6(E), h12(E) & h14(E)

Granular or solid flux filled headed stud conforming to Article 1006.32 of the Standard Specifications Automatically end welded.

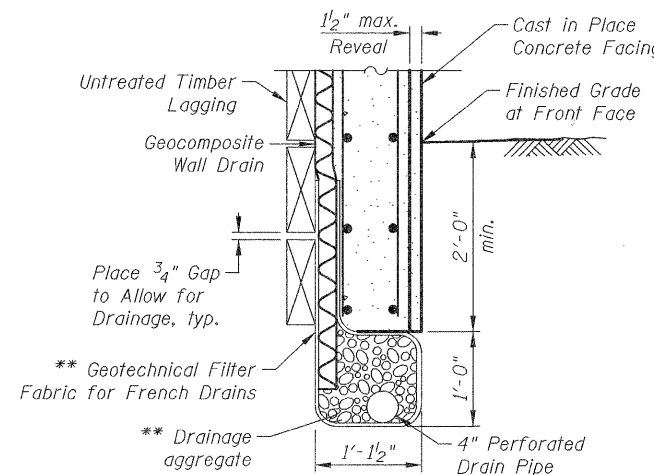


SECTION THRU DRILLED SOLDIER PILE WALL

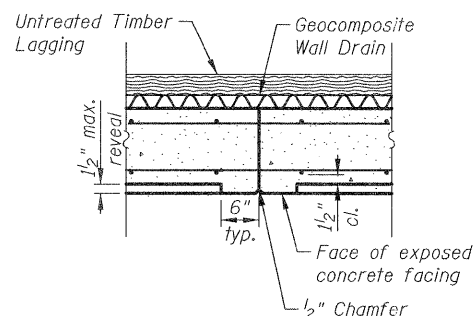
The Contractor is responsible for the design and performance of the lagging using no less than a 3 in. nominal rough-sawn thickness and timber with a minimum allowable bending stress of 1000 psi.



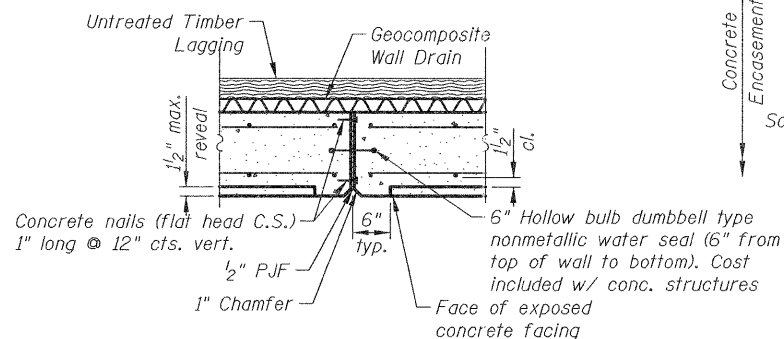
SOLDIER PILE ENCASEMENT



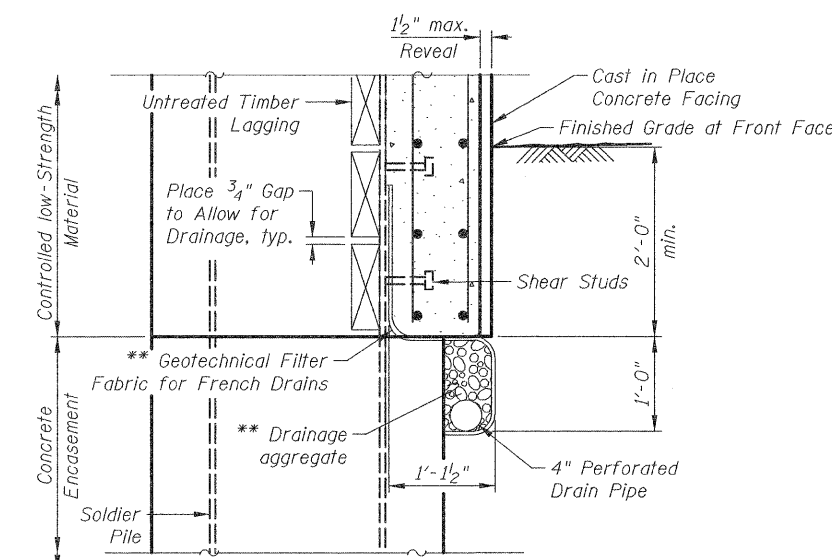
DRAINAGE DETAILS BETWEEN SOLDIER PILES



CONSTRUCTION JOINT



EXPANSION JOINT



DRAINAGE DETAILS AT SOLDIER PILES

** Included in the cost of Pipe Underdrains for Structures, 4"

12/15/2011 11:44:38 AM J:\23222.cad\struct\Wall B.04.WB.Wall Details.dgn