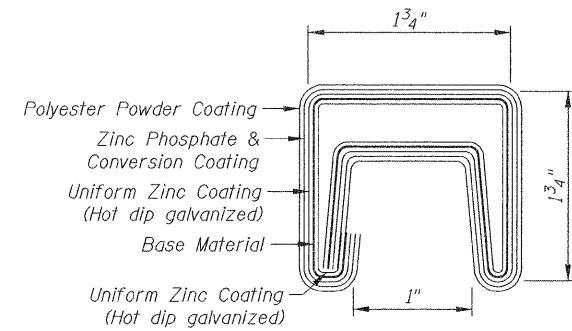
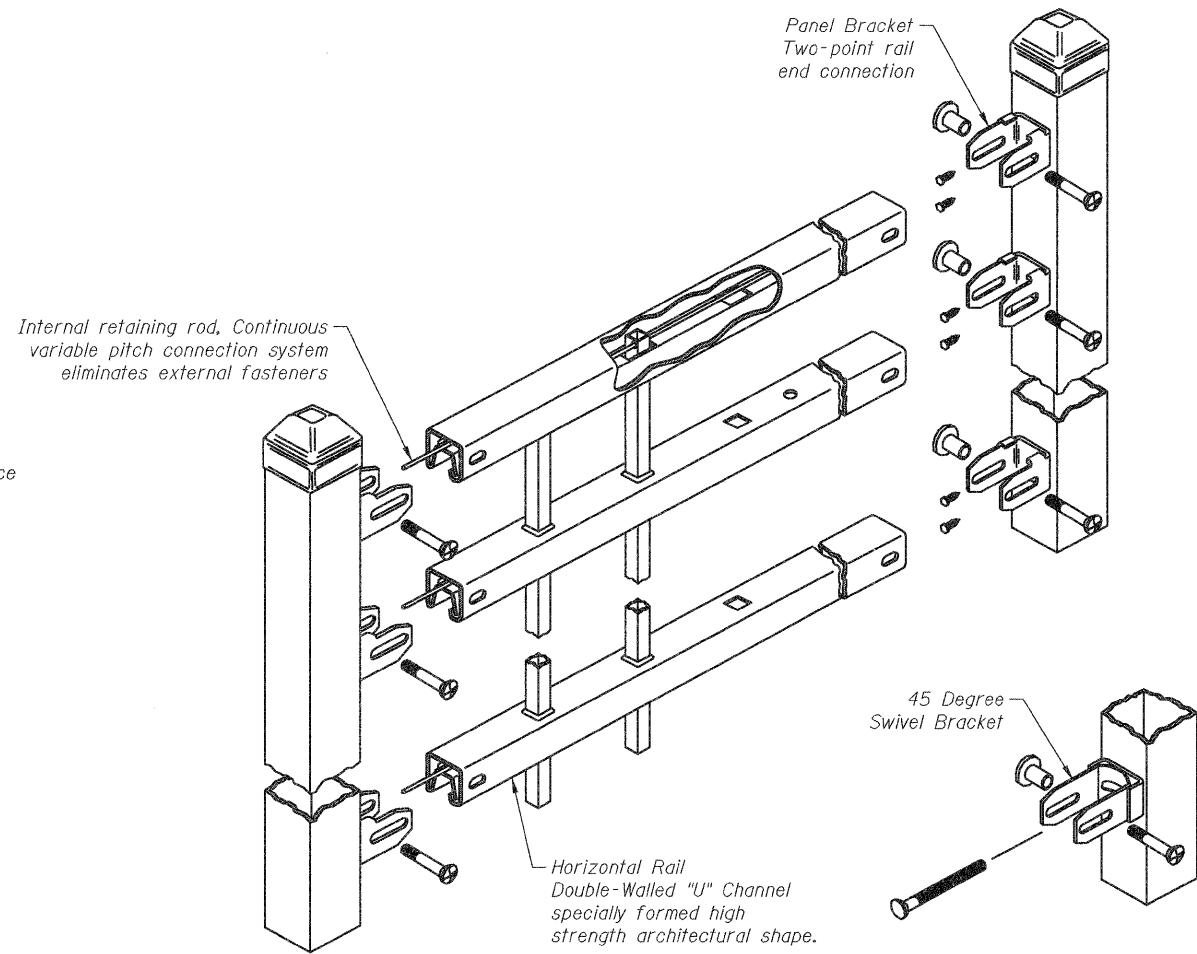


ELEVATION ORNAMENTAL FENCE



CROSS SECTION OF HORIZONTAL RAIL



ISOMETRIC 3 RAIL

Note:
The color of the Ornamental Fence shall be black.

J:\2322\cad\struct\WSI_Ornamental Fence.dgn
 3:03:03 PM
 12/15/2011



450 E Devon Ave, Suite 300
 Itasca, Illinois 60143
 Tel: 630.773.3900 Fax: 630.773.3975
 www.civiltechinc.com

DRAWN	-	D. ATKINS	REVISED	-	_____
DESIGNED	-	M. LANGE	REVISED	-	_____
CHECKED	-	G. HATLESTAD	REVISED	-	_____
DATE	-	DECEMBER 19, 2011	REVISED	-	_____

**STATE OF ILLINOIS
 DEPARTMENT OF TRANSPORTATION**

**ORNAMENTAL FENCE DETAILS
 WALL STANDARDS; MILLENNIUM TRAIL**

SHEET NO. WS1 OF WS1 SHEETS

F.A.P. RTE.	SECTION	COUNTY	TOTAL SHEETS	SHEET NO.
0541	10-F3000-00-BT	LAKE	87	47
CONTRACT NO.				

ILLINOIS FED. AID PROJECT