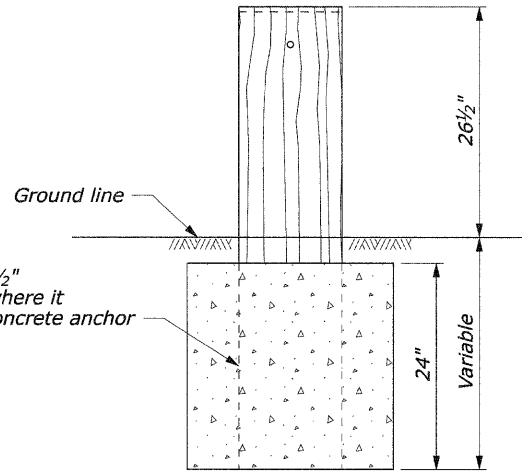
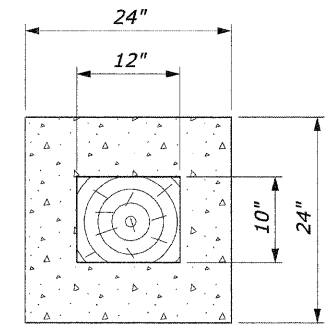
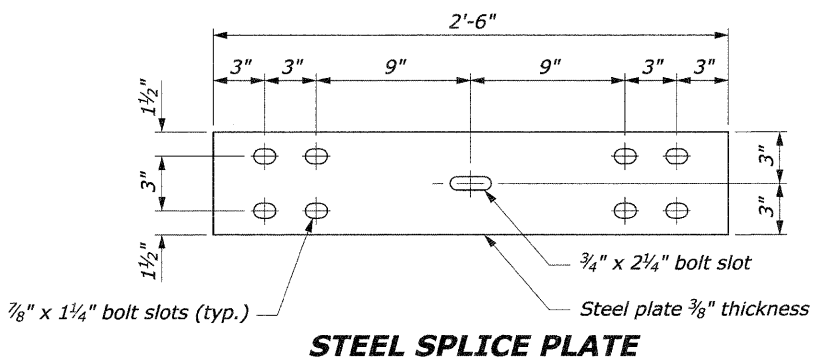
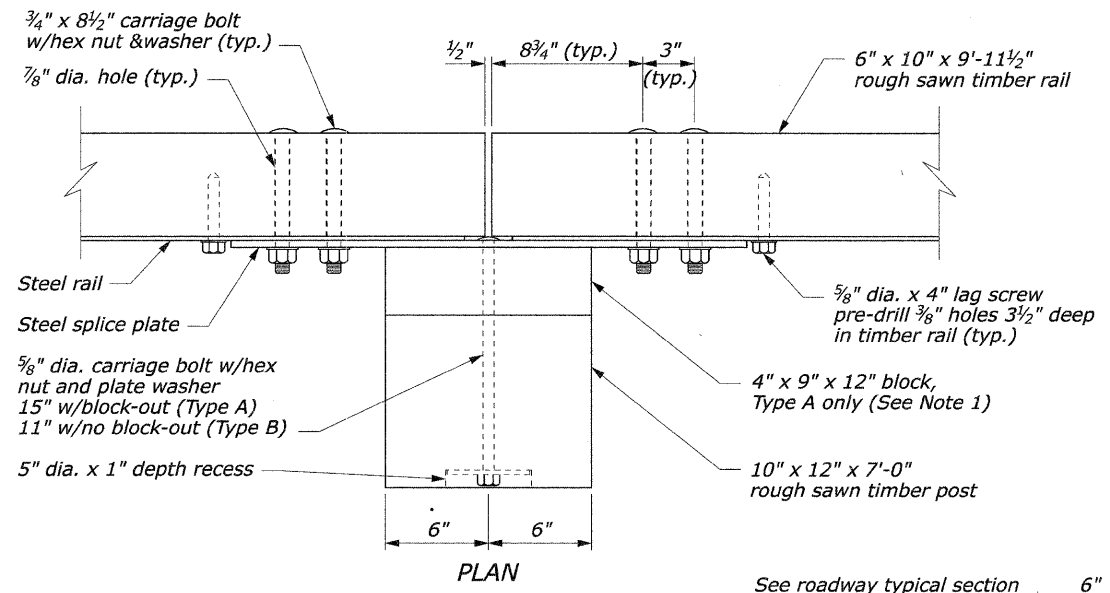
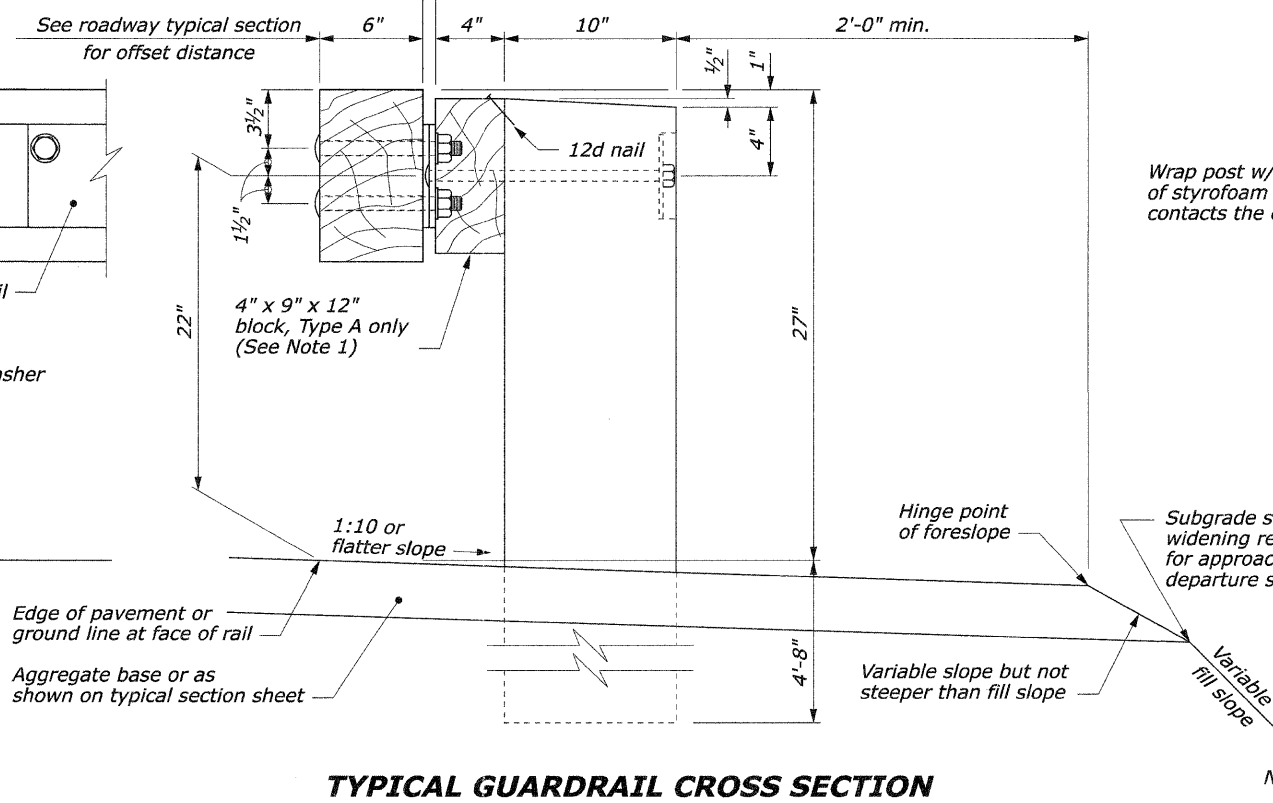
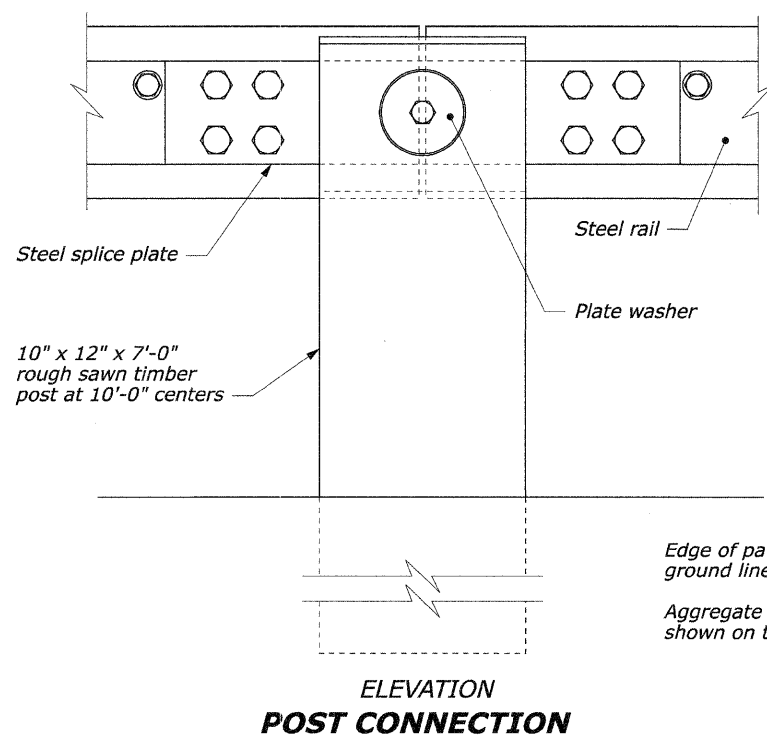


- NOTE:**
1. Use the Type A, blocked-out, system or the Type B, non-blocked-out, system as specified in the plans.
 2. Use weathering steel for all structural steel and fastener hardware as specified.
 3. Place a terminal section (See Standards 617-61 and 617-62) on both approach and trailing ends of barrier installations.



24" dia. round anchor is an acceptable alternative. Reduced size acceptable in solid rock.

CONCRETE ANCHOR FOR SHORT GUARDRAIL POST



NO SCALE

U.S. DEPARTMENT OF TRANSPORTATION FEDERAL HIGHWAY ADMINISTRATION FEDERAL LANDS HIGHWAY	
U.S. CUSTOMARY STANDARD	
STEEL-BACKED TIMBER GUARDRAIL TYPE A & TYPE B	
STANDARD APPROVED FOR USE 3/1990	STANDARD 617-60
REVISED: 4/1994 6/2005	

DATE	
BY	
NO.	
AREAS CHECKED	
PLATE	
TEMPLATE	
NOTE BOOK	
SURVEY	
FINAL	

DATE	
BY	
NO.	
AREAS CHECKED	
PLATE	
TEMPLATE	
NOTE BOOK	
SURVEY	
ORIGINAL	

USER NAME = pk	DESIGNED - PK	REVISED -
FILE NAME = ...12-Detail\2322_details.dgn	DRAWN - PK	REVISED -
PLOT SCALE 1/8"=1'-0"	CHECKED - RTM	REVISED -
PLOT DATE = 12/14/2011	DATE = 12/19/2011	REVISED -

**STATE OF ILLINOIS
DEPARTMENT OF TRANSPORTATION**

VERT. 0 SCALES

HORIZ. 0

**CONSTRUCTION DETAILS
GRAND AVENUE UNDERPASS**

SHEET NO. 2 OF 2 SHEETS STA. TO STA.

F.A.P. RTE. 0541	SECTION 10-F3000-00-BT	COUNTY LAKE	TOTAL SHEETS 91	SHEET NO. 49
FED. ROAD DIST. NO. 1 ILLINOIS			CONTRACT NO. 63665	