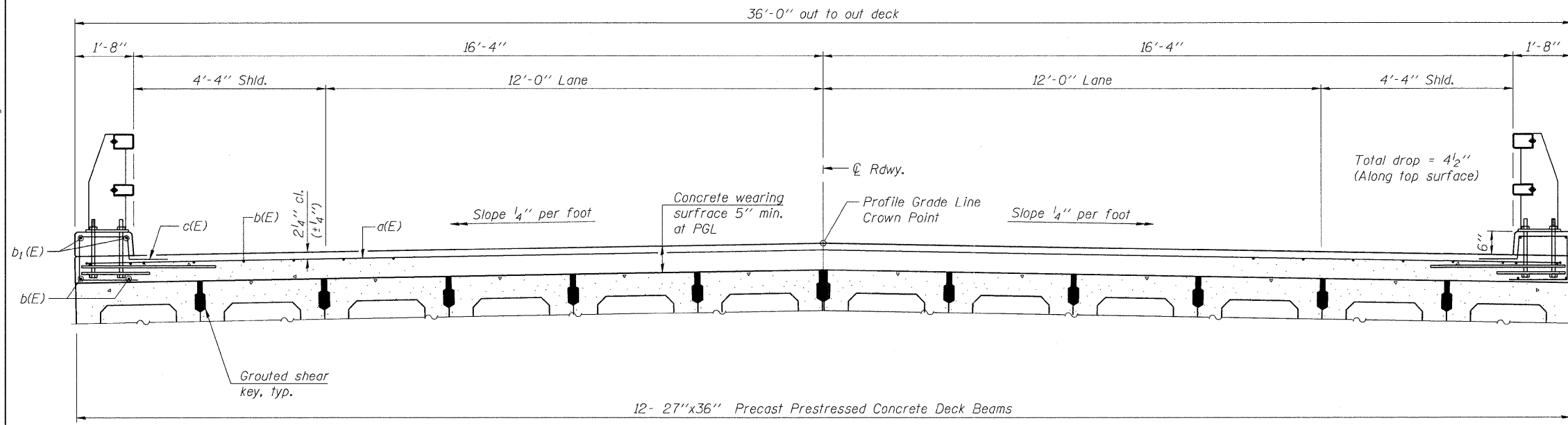
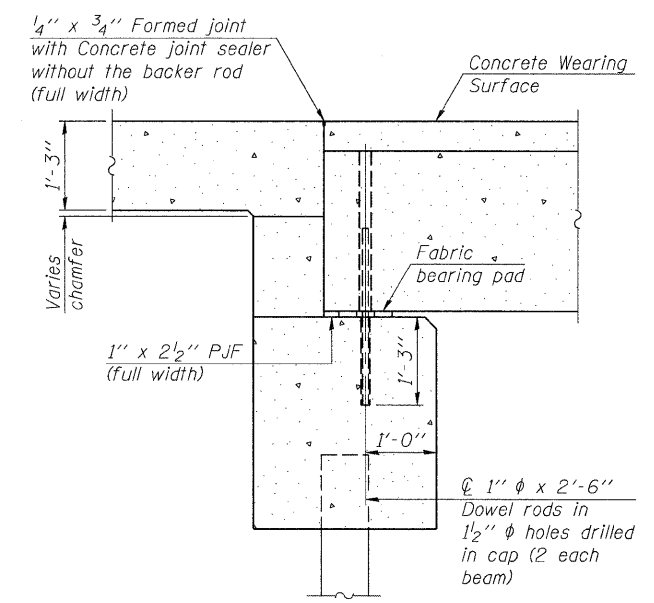


PLAN



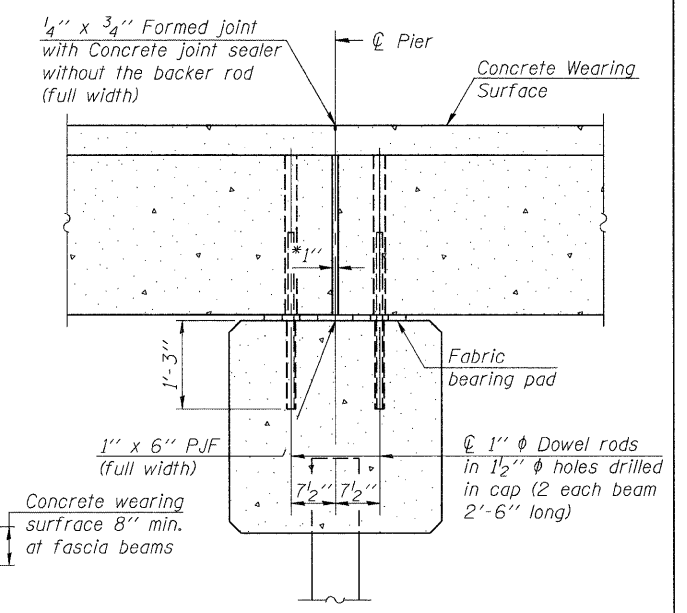
CROSS SECTION
(Looking East)

Notes:
See sheet 5 of 18 for Superstructure Details and Bill of Material.
Bars indicated thus 20 x 2-#4 etc. indicates 20 lines of bars with 2 lengths per line.



SECTION A-A

Notes:
All concrete wearing surfaces shall be placed prior to casting a backwall and/or approach slab.
See sheet 11 of 18 for fabric bearing pad details.



SECTION B-B

*1\"/>

MINIMUM BAR LAP
#4 bar = 2'-7"
#5 bar = 3'-3"

FILE NAME = s:\j\16880-6889\6812\007\macro\cedd sheets\structure\0856-3192-53656-004-SUPER.dgn



USER NAME = brianf	DESIGNED RRD	REVISED -
PLOT SCALE =	CHECKED AJS	REVISED -
PLOT DATE = 1/3/2012	DRAWN B/JF	REVISED -
	CHECKED RRD	REVISED -

MCHENRY COUNTY DIVISION OF TRANSPORTATION
HILL ROAD BRIDGE OVER
NORTH BRANCH NIPPERSINK CREEK

SUPERSTRUCTURE
STRUCTURE NO. 056-3192
SHEET NO. 4 OF 18 SHEETS

TR	SECTION	COUNTY	TOTAL SHEETS	SHEET NO.
21	08-00356-00-BR	MCHENRY	67	34
CONTRACT NO. 63666				
ILLINOIS FED. AID PROJECT				