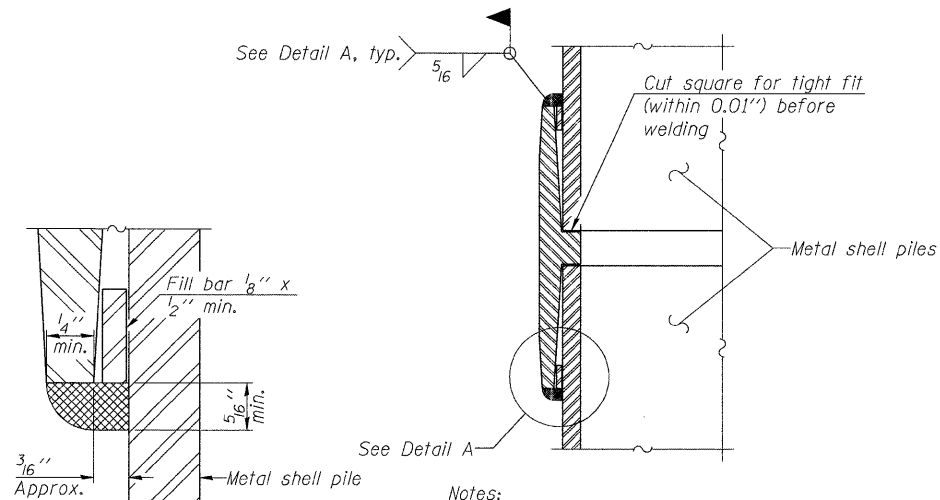


METAL SHELL PILE TABLE

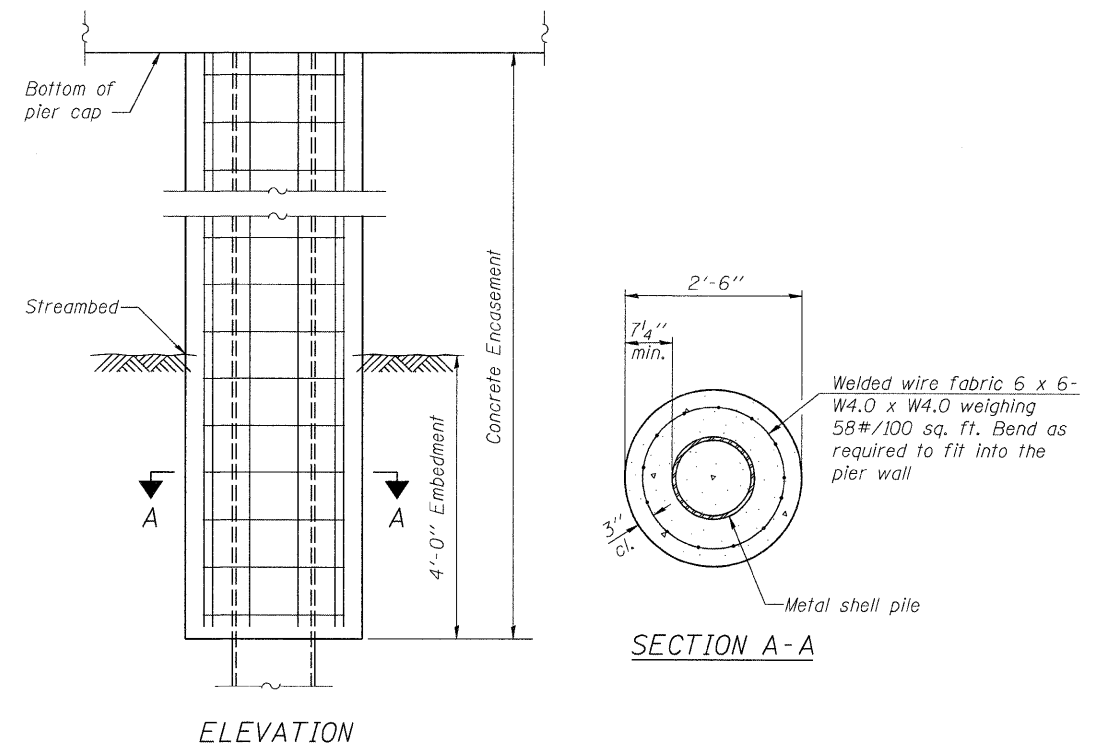
Designation and outside diameter	Wall thickness t	Weight per foot (Lbs./ft.)	Inside volume (yd. ³ /ft.)
PP12	0.179"	22.60	0.0274
PP12	0.250"	31.37	0.0267
PP14	0.250"	36.71	0.0368
PP14	0.312"	45.61	0.0361



DETAIL A

Notes:
 The 1/8" x 1/2" min. fill bar may be constructed of 2 bars with a 1/8" max. gap between them.
 Pile segments shall be driven to solid contact with splicer before welding.

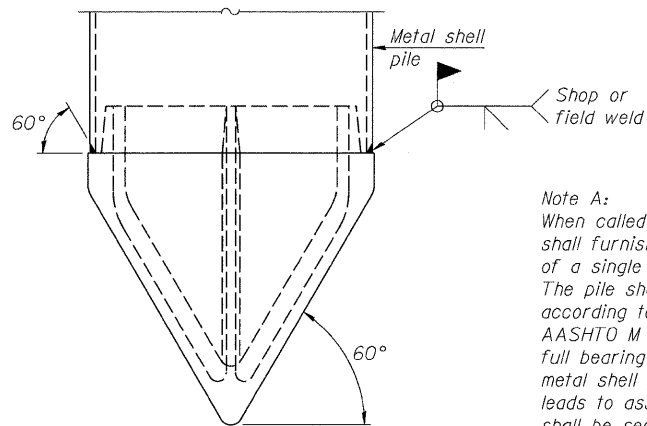
WELDED COMMERCIAL SPLICE



ELEVATION

SECTION A-A

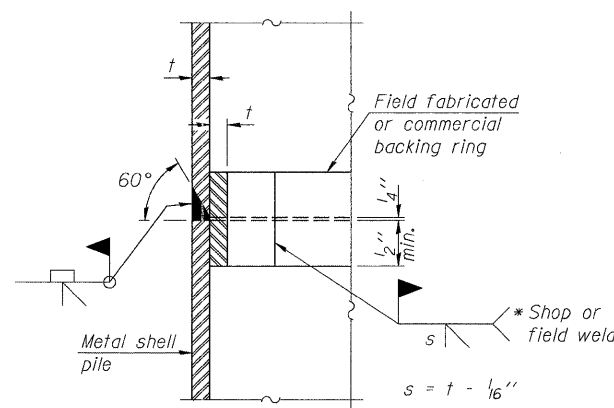
CONCRETE ENCASEMENT AT PIERS



Note A:
 When called for on the plans, the Contractor shall furnish metal shell pile shoes consisting of a single piece conical pile point as shown. The pile shoes shall be cast in one piece steel according to either ASTM A 148 Grade 90-60 or AASHTO M 103 Grade 65-35 and shall provide full bearing over the full circumference of the metal shell pile. The pile shoe shall have tapered leads to assure proper alignment and fitting and shall be secured to the pile with a circumferential weld.

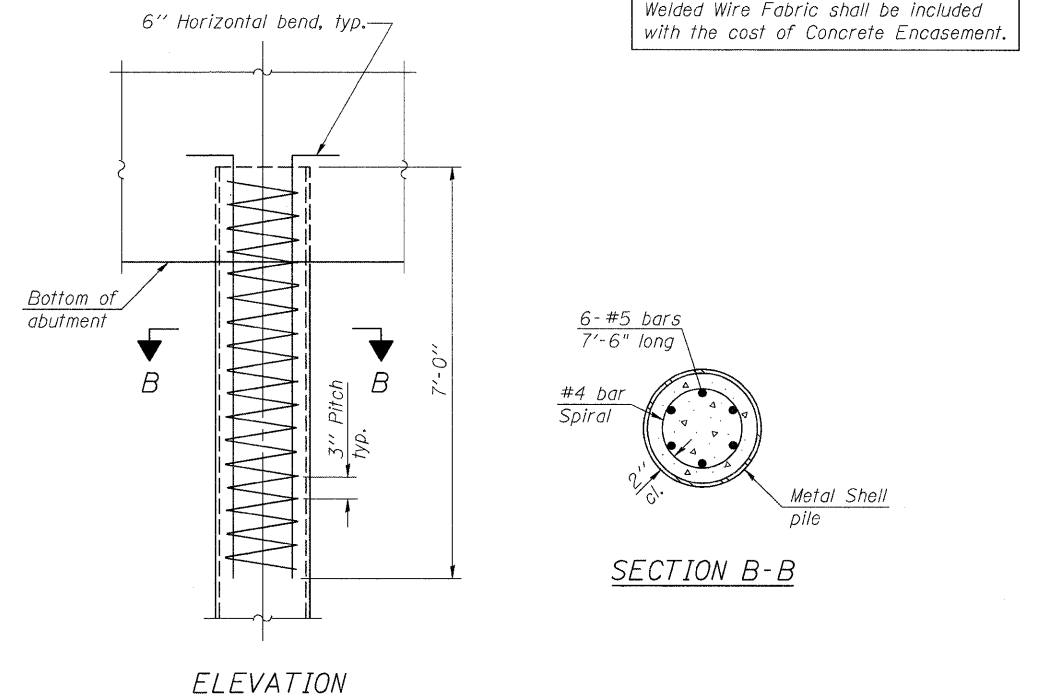
METAL SHELL PILE SHOE ATTACHMENT

(See Note A)



COMPLETE PENETRATION WELD SPLICE

* Field fabricated backing ring may be made from pile shell by removing segment to allow reducing circumference and vertically rejoin with partial joint penetration weld.



ELEVATION

SECTION B-B

METAL SHELL REINFORCEMENT AT ABUTMENTS

Metal Shell reinforcement at abutments shall be included with the cost of Furnishing Metal Shell Piles.

Note:
 The metal shell piles shall be according to ASTM A 252 Grade 3.

FILE NAME = s:\jcl\5809--6899\6842\087\micrca\sheet\struc\struc\0856-3192-63666-015-MPILE.dgn

1170 SOUTH HOBOLT ROAD JOLIET, ILLINOIS 60431 (815) 744-4200	USER NAME = brianf DESIGNED RRD CHECKED AJS DRAWN BJF CHECKED RRD	REVISED - REVISED - REVISED - REVISED -	MCHENRY COUNTY DIVISION OF TRANSPORTATION HILL ROAD BRIDGE OVER NORTH BRANCH NIPPERSINK CREEK	METAL SHELL PILE DETAILS STRUCTURE NO. 056-3192 SHEET NO. 15 OF 18 SHEETS	TR 21 SECTION 08-00356-00-BR COUNTY MCHENRY TOTAL SHEETS 67 SHEET NO. 45 CONTRACT NO. 63666	ILLINOIS FED. AID PROJECT
	PLOT SCALE = PLOT DATE = 1/3/2012	DESIGNED RRD CHECKED RRD			REVISED - REVISED -	