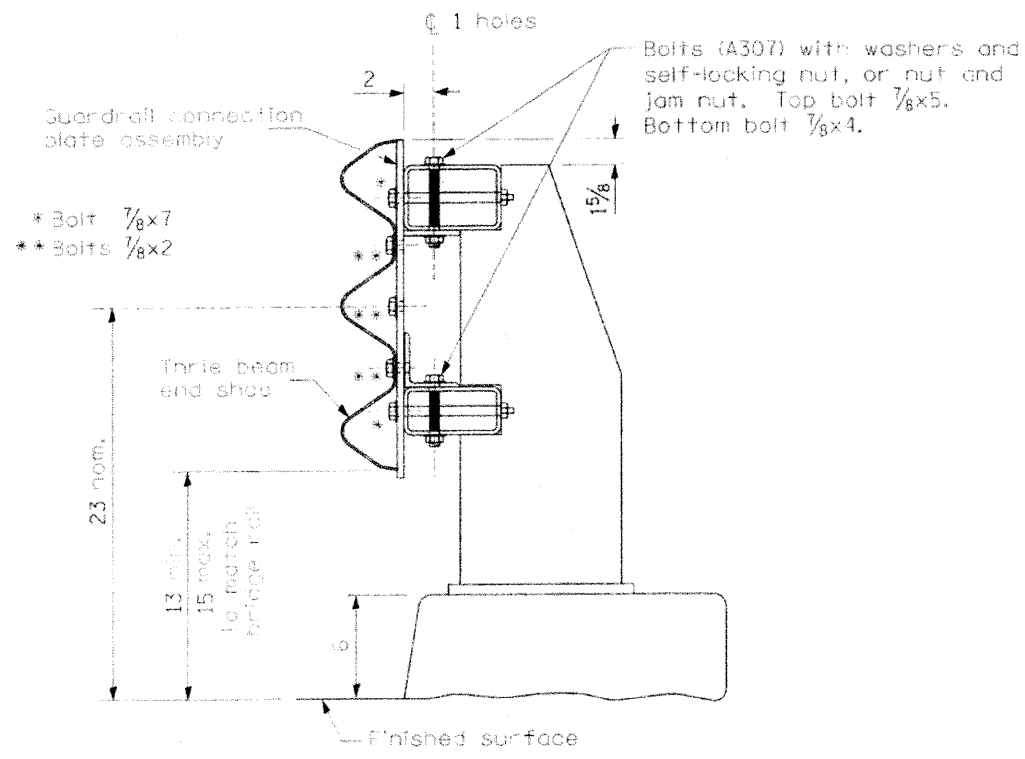
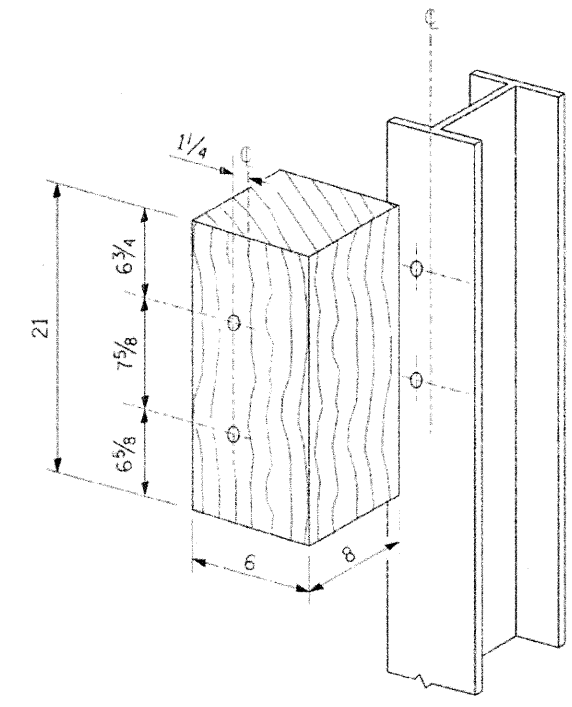


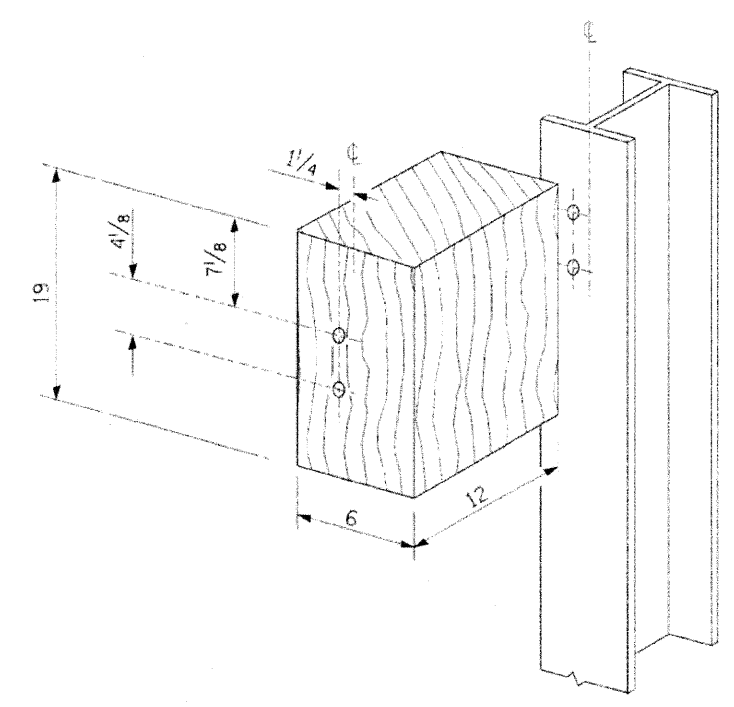
MCHENRY COUNTY  
DIVISION OF TRANSPORTATION



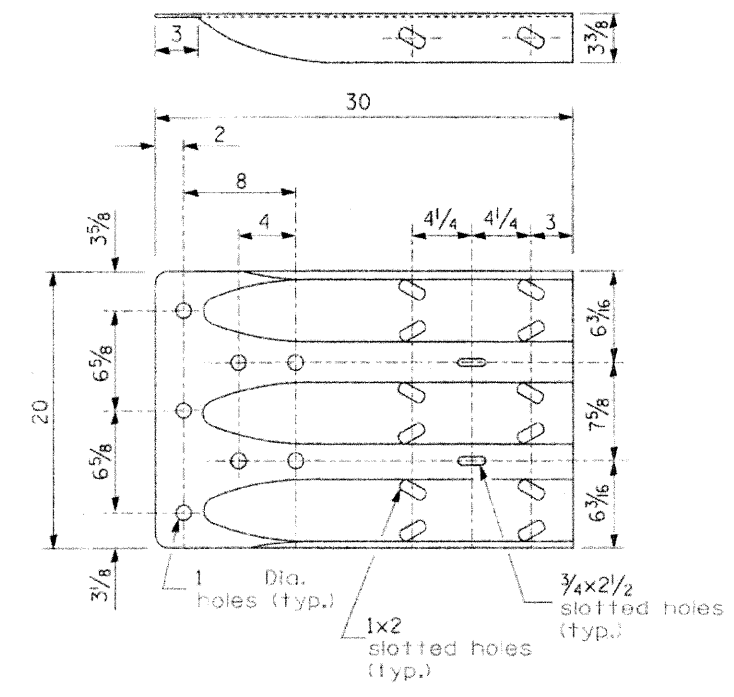
SECTION C-C



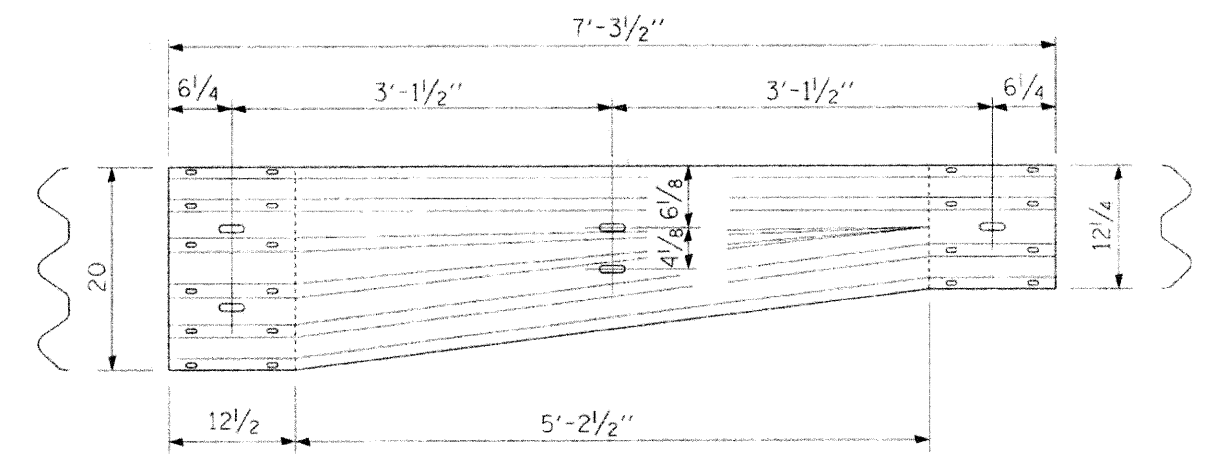
POSTS 1-11 WOOD BLOCKOUT DETAIL



POST 12 WOOD BLOCKOUT DETAIL  
(See Standard 630001 for post 13-17 blockouts.)



MODIFIED THRIE BEAM END SHOE DETAIL



TRANSITION SECTION  
10 gauge rail element

**TRAFFIC BARRIER TERMINAL  
TYPE 6A (SPECIAL)  
STRUCTURE NO. 056-3192**

DESIGNED	BLB
CHECKED	AS
DRAWN	BCD
CHECKED	BLB

SHEET NO. 2  3 SHEETS	TR	SECTION	COUNTY	TOTAL SHEETS	SHEET NO.
	21	08-00356-00-BR	MCHENRY	67	53
	CONTRACT NO. 63666				
FED. ROAD DIST. NO. 1 ILLINOIS FED. AID PROJECT BROS 0001(683)					

COMPANY: JOHN S. BURDICK & SONS, INC., 1100 W. MONROE ST., CHICAGO, ILL. 60606  
 STATE OF ILLINOIS - PROFESSIONAL DESIGNER  
 LICENSE NO. 197-049829-4  
 PROJECT: MCHENRY COUNTY TRAFFIC BARRIER TERMINAL