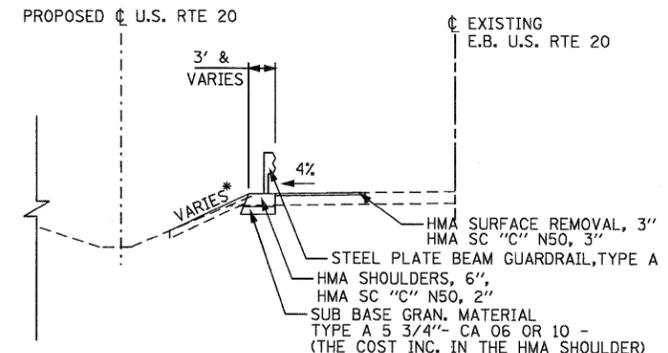
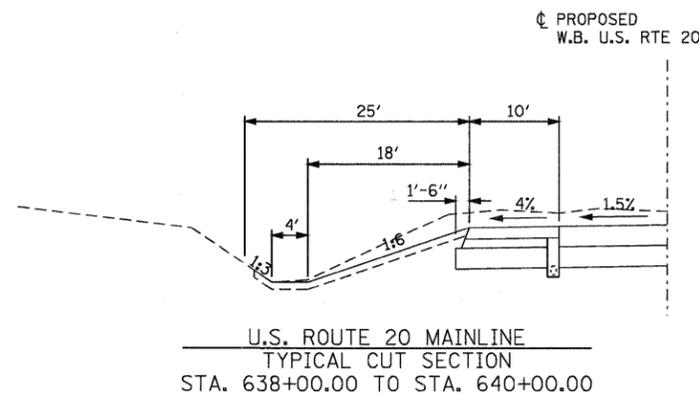
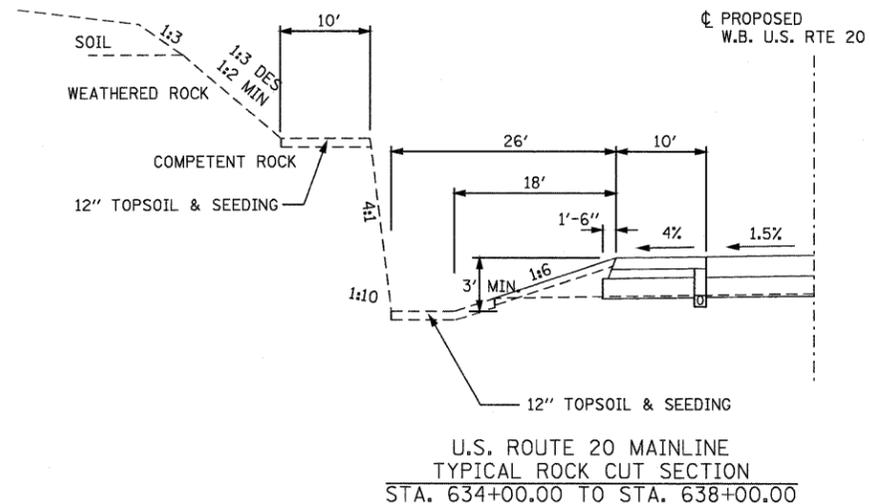


NOTE:
• FOR SLOPE STEEPER THAN 1:3, AND THE DISTANCE FROM BACK OF POST IS LESS THAN 24", 9" POSTS SHALL BE USED. (SEE HIGHWAY STANDARD 630001-10, SECTION A-A.)



- NOTES:
1. IF ROCK CUT IS GREATER THAN 8 FOOT HEIGHT, A 10 FOOT BENCH IS REQUIRED AT THE TOP
 2. IF ROCK CUT EXCEEDS 20 FOOT HEIGHT, A 10 FOOT BENCH IS REQUIRED AT 1/2 THE TOTAL HEIGHT, IN ADDITION TO THE BENCH AT THE TOP
 3. WEIGHT OF BITUMINOUS MATERIAL = 112 LBS/IN./SY.

USER NAME = MMS	DESIGNED - MMS	REVISED -
PLOT SCALE = 10.00' / IN.	DRAWN - MMS	REVISED -
PLOT DATE = 9/28/11	CHECKED - RMH	REVISED -
	DATE -	REVISED -

F.A. RTE.	SECTION	COUNTY	TOTAL SHEETS	SHEET NO.
301	177-2-1	STEPHENSON	211	14
FINAL SUBMITTAL			CONTRACT NO. 64860	
[ILLINOIS] FED. AID PROJECT P-92-014-03				