

SUGGESTED MAINTENANCE OF TRAFFIC SEQUENCE

STAGE IA

CONSTRUCT TEMPORARY PAVEMENT FROM STA. 463+30.00 TO STA. 473+25.00 AND FROM STA. 637+30.00 TO STA. 644+00.00 ALONG US 20 AS SHOWN IN MOT PLANS AND AS DIRECTED BY THE ENGINEER. US 20 TRAFFIC SHALL BE MAINTAINED IN ACCORDANCE WITH STANDARDS 701001, 701006 701011 AND 701326.

STAGE I

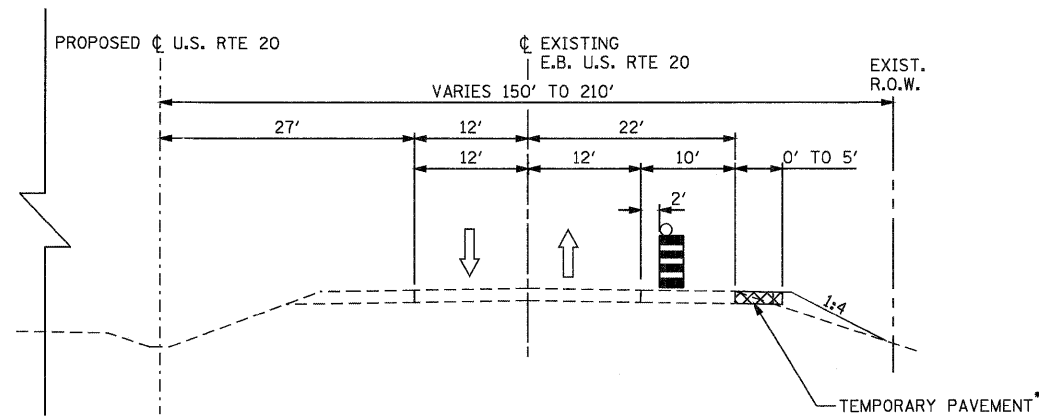
- REMOVE EXISTING PAVEMENT MARKINGS, INSTALL TRAFFIC CONTROL DEVICES, TEMPORARY PAVEMENT MARKINGS AND SIGNAGE AS SHOWN ON PLANS AND STANDARDS AND AS DIRECTED BY THE ENGINEER. US 20 TRAFFIC SHALL BE MAINTAINED IN ACCORDANCE WITH STANDARDS 701331, 701400, 701401 AND 701411.
- TRAFFIC CONTROL DEVICES SHALL REMAIN CONSISTENT THROUGHOUT THE LENGTH OF THE STAGE I CONSTRUCTION FOR US 20, UNLESS OTHERWISE DIRECTED BY THE ENGINEER.
- CONSTRUCT PROPOSED WB PAVEMENT FROM STA. 466+11.08 TO STA. 640+00.00 ALONG US20 AS SHOWN IN PLANS.
- EXISTING SHOULDER AND PAVEMENT TO BE REMOVED PRIOR TO CONSTRUCTING PROPOSED PAVEMENT AND SHOULDER ALONG US 20 FROM STA. 466+11.08 TO STA. 471+38.61 AND FROM STA. 629+00.00 TO STA. 640+00.00.

STAGE II

- REMOVE TEMPORARY PAVEMENT, CONSTRUCT PROPOSED SHOULDER AND PERFORM FINAL GRADING OF DITCHES ALONG US 20 EB FROM STA. 463+30.00 TO STA. 473+25.00 AND FROM STA. 637+30.00 TO STA. 644+00.00 AS SHOWN IN THE PLANS AND AS DIRECTED BY THE ENGINEER. US 20 TRAFFIC SHALL BE MAINTAINED IN ACCORDANCE WITH STANDARDS 701011 AND 701401.
- INSTALL PROPOSED PAVEMENT MARKING AND RAISED REFLECTIVE PAVEMENT MARKERS AS SHOWN IN THE PLAN AND AS DIRECTED BY THE ENGINEER. US 20 TRAFFIC SHALL BE MAINTAINED IN ACCORDANCE WITH STANDARDS 701301, 701311 AND 701426.
- RESURFACE EXISTING EB OUTSIDE SHOULDER AND PATCH EXISTING OUTSIDE LANE. US 20 TRAFFIC SHALL BE MAINTAINED IN ACCORDANCE WITH STANDARD 701401.

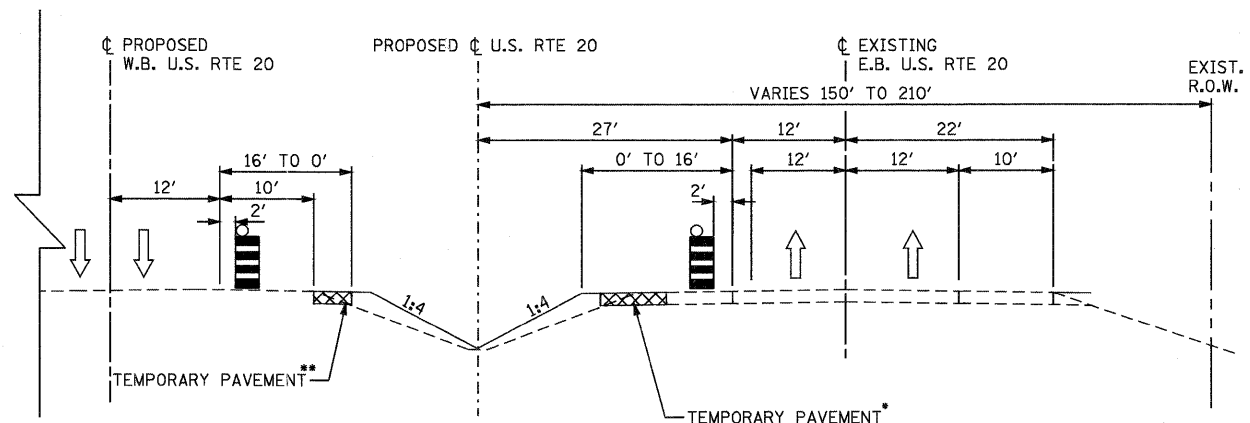
STAGE III

- RESURFACE EXISTING EB INSIDE SHOULDER AND PATCH EXISTING INSIDE LANE. US 20 TRAFFIC SHALL BE MAINTAINED IN ACCORDANCE WITH STANDARD 701401.



• 5' FROM STA. 463+30.00 TO STA. 473+25.00

US ROUTE 20
STAGE IA
STA. 463+30.00 TO STA. 473+25.00



• 16' TO 2' FROM STA. 641+70.49 LT TO STA. 643+87.47 LT
 2' FROM STA. 643+87.47 LT TO STA. 644+00.00 LT
 • 2' FROM STA. 637+30.00 RT TO STA. 637+47.40 RT
 2' TO 16' FROM STA. 637+47.40 RT TO STA. 639+62.85 RT
 16' FROM STA. 639+62.85 TO STA. 641+70.49 (CROSS OVER)

US ROUTE 20
STAGE IA
STA. 637+30.00 TO STA. 644+00.00

LEGEND

- DRUM WITH STEADY BURNING MONO DIRECTION LIGHT AT 50' C-C
- WORK ZONE
- DIRECTION OF TRAFFIC
- VERTICAL PANELS AT 50' SPACING IN CURVES AND 100' SPACING IN TANGENTS

T:\68144\02-11\PAV_Plan\28PAV-1-1-11.dgn

PARSONS BRINCKERHOFF
280 West Monroe St., Suite 900
Chicago, IL 60606 (312) 782-8160

USER NAME = MMS	DESIGNED - RMH	REVISED -
PLOT SCALE = 10.00' / IN.	DRAWN - RMH	REVISED -
PLOT DATE = 9/28/11	CHECKED - DVS	REVISED -
	DATE -	REVISED -

STATE OF ILLINOIS
DEPARTMENT OF TRANSPORTATION

TRAFFIC CONTROL AND STAGING
NOTES AND DETAILS

SCALE: N.T.S. SHEET NO. OF SHEETS STA. TO STA.

F.A. RTE.	SECTION	COUNTY	TOTAL SHEETS	SHEET NO.
301	177-2-1	STEPHENSON	211	55
FINAL SUBMITTAL			CONTRACT NO. 64860	
ILLINOIS FED. AID PROJECT P-92-014-03				