



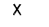
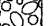




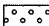
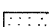
EROSION CONTROL SCHEDULE:

1. INSTALL STABILIZED CONSTRUCTION ENTRANCES.
2. INSTALL PERIMETER EROSION BARRIER.
3. BEGIN CLEARING AND GRUBBING FOR CONSTRUCTION OF DITCHES AND OTHER DRAINAGE FEATURES.
4. BEGIN TEMPORARY SEEDING ON ALL ERODABLE/BARE AREAS EVERY SEVEN DAYS.
5. CONSTRUCT DITCHES, SEDIMENT BASINS, AND PLACE TEMPORARY DITCH CHECKS.
6. TOPSOIL REMOVAL AND STOCKPILING OF TOPSOIL.
7. BEGIN EXCAVATION, STOCKPILING OF SUITABLE FILL AND ROCK EXCAVATION.
8. STABILIZE DENUDED AREAS AND STOCKPILES WITHIN 14 DAYS OF LAST CONSTRUCTION ACTIVITY IN THAT AREA.
9. BEGIN CONSTRUCTION OF ROADWAY EMBANKMENTS.
10. INSTALL STORM SEWERS, AGGREGATE DRAINS. PLACE TEMPORARY INLET PROTECTION.
11. COMPLETE PAVING AND INSTALL PERMANENT SEEDING AND PLANTINGS.
12. WHEN ALL CONSTRUCTION ACTIVITY IS COMPLETE AND SITE IS STABILIZED, REMOVE PERIMETER EROSION BARRIER, SEDIMENT BASINS, AND TEMPORARY DITCH CHECKS AND ANY ACCUMULATED SEDIMENT. RESEED ANY AREAS DISTURBED BY THEIR REMOVAL. REMOVE TEMPORARY INLET PROTECTION.

EROSION CONTROL LEGEND

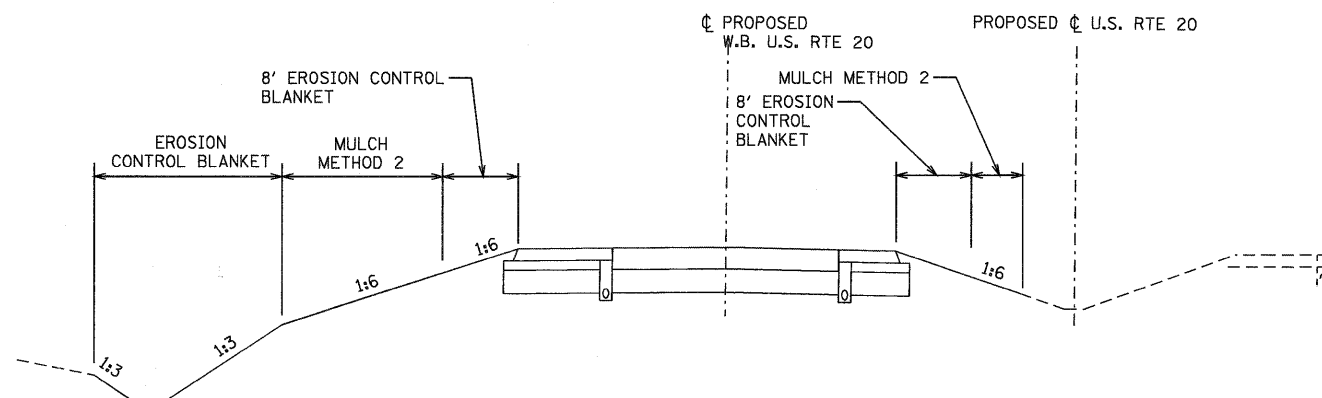
-  TEMPORARY DITCH CHECK
-  SEDIMENT BASIN
-  INLET & PIPE PROTECTION
-  PERIMETER EROSION BARRIER
-  TREE REMOVAL
-  PROPOSED RIPRAP, CLASS A4
-  EXISTING RIPRAP
-  EXISTING WETLAND

PERMANENT SEEDING LEGEND

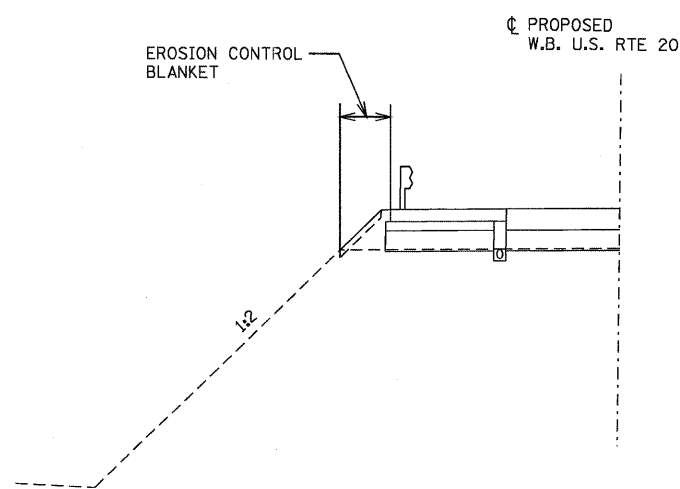
-  CLASS 2A
-  CLASS 4 SEEDING

EROSION CONTROL NOTES:

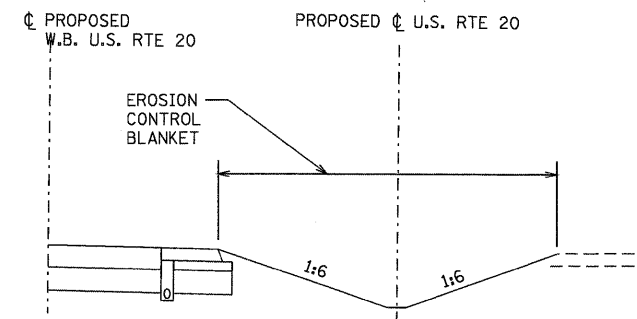
1. EROSION CONTROL MEASURES AS INDICATED IN THE EROSION CONTROL PLAN, AND AS DIRECTED BY THE ENGINEER SHALL BE INSTALLED PRIOR TO BEGINNING ANY CONSTRUCTION ACTIVITIES WHICH WILL POTENTIALLY CAUSE ERODIBLE CONDITIONS.
2. THE CONTRACTOR SHALL COORDINATE WORK SO THAT NO MORE THAN A TOTAL OF 10 ACRES IS DISTURBED AT A TIME. UNDER NO CIRCUMSTANCES SHALL THE CONTRACTOR PROLONG FINAL GRADING AND SHAPING SO THAT THE ENTIRE PROJECT CAN BE PERMANENTLY SEEDING AT ONE TIME.
3. TEMPORARY SEEDING OF ALL ERODABLE/BARE AREAS SHALL BE CONDUCTED EVERY SEVEN DAYS TO MINIMIZE THE AMOUNT OF EXPOSED SURFACE AREA WITHIN CONTRACT LIMITS.
4. THE TEMPORARY EROSION CONTROL SYSTEMS INSTALLED BY THE CONTRACTOR SHALL BE PROPERLY MAINTAINED AS DIRECTED BY THE ENGINEER DURING THE LIFE OF THE CONTRACT.
5. RIPRAP AT PIPE OUTLETS SHALL BE PLACED SO THAT THE TOP OF THE RIPRAP IS FLUSH WITH THE DITCH BOTTOM.
6. WHEN FINAL GRADING HAS BEEN ACHIEVED AN 8' (MIN) STRIP OF EROSION CONTROL BLANKET WILL BE INSTALLED NEXT TO SHOULDERS. A 10' (MIN) STRIP OF EROSION CONTROL WILL BE INSTALLED IN PROPOSED DITCH BOTTOMS. EROSION CONTROL BLANKET WILL ALSO BE INSTALLED IN ALL AREAS WITH A 1:4 OR GREATER SLOPE. IN ALL OTHER AREAS MULCH METHOD 2 WILL BE USED. ADDITIONAL APPLICATIONS OF MULCH METHOD 2 MAY BE USED FOR TEMPORARY SOIL STABILIZATION PRIOR TO FINAL GRADING AND FOR DUST CONTROL AS DIRECTED BY THE ENGINEER.
7. WHEN FINAL GRADING HAS BEEN ACHIEVED, PERMANENT SEEDING WILL BE INSTALLED. PERMANENT SEEDING WILL CONSIST OF:
 - CLASS 2A SEEDING SHALL BE USED ON FRONT SLOPES AND DITCH BOTTOMS.
 - CLASS 4 SEEDING SHALL BE USED BEHIND TYPE A GUTTER, ON ALL BACKSLOPES AND AREAS BEHIND THE BACKSLOPE, AND BEYOND THE TOE OF FRONT SLOPE ON FILL SECTIONS WITHOUT DITCHES.
8. CONTRACTOR SHALL ADHERE TO THE REQUIREMENTS OF THE STORMWATER POLLUTION AND PREVENTION PLAN (SWPPP).



EROSION CONTROL BLANKET AND MULCH TYPICAL SECTION - US 20 MAINLINE



**EROSION CONTROL BLANKET TYPICAL HIGH FILL SECTION - US 20 MAINLINE
STA. 544+38.20 TO STA. 576+00**



**EROSION CONTROL BLANKET TYPICAL MEDIAN DITCH CONSTRUCTION SECTION - US 20 MAINLINE
STA. 474+21 TO STA. 476+66
STA. 528+60 TO STA. 529+40
STA. 632+00 TO STA. 639+91**

T:\188148\CONV\188148_Plan\188148_Plan.dgn

PARSONS BRINCKERHOFF
280 West Monroe St., Suite 900
Chicago, IL 60606, (312) 782-8150

USER NAME = MMS	DESIGNED - MMS	REVISED -
PLOT SCALE = 50.00' / IN.	DRAWN - MMS	REVISED -
PLOT DATE = 9/28/11	CHECKED - RMH	REVISED -
	DATE - #CH DATE#	REVISED -

**STATE OF ILLINOIS
DEPARTMENT OF TRANSPORTATION**

**EROSION AND SEDIMENT CONTROL PLANS
NOTES AND DETAILS - U.S. ROUTE 20**

SCALE: 1"=50' SHEET NO. 1 OF 8 SHEETS STA. TO STA.

F.A. RTE.	SECTION	COUNTY	TOTAL SHEETS	SHEET NO.
301	177-2-1	STEPHENSON	211	73
FINAL SUBMITTAL			CONTRACT NO. 64860	
[ILLINOIS] FED. AID PROJECT P-92-014-03				