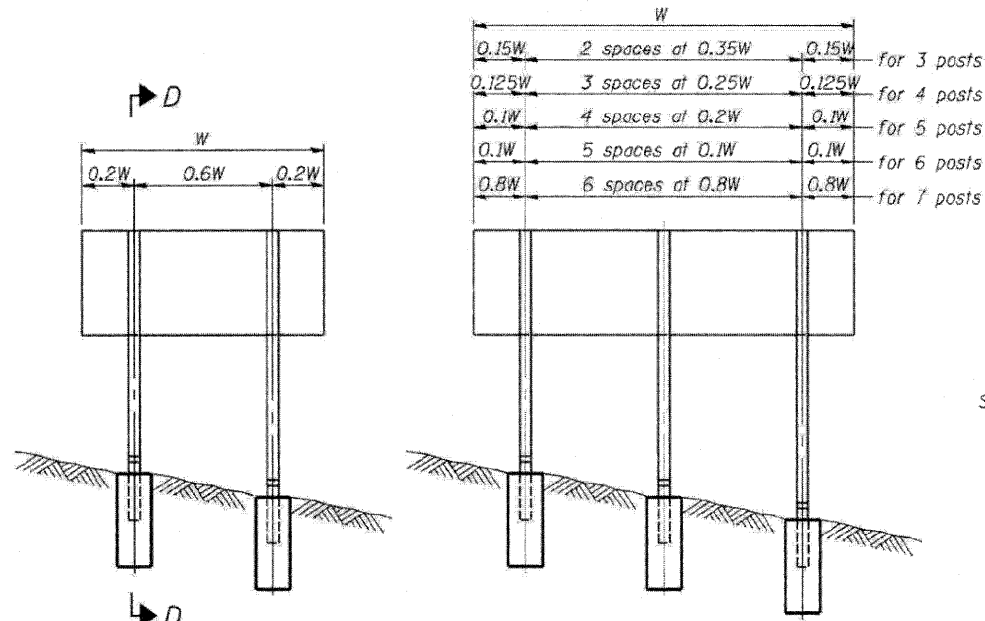


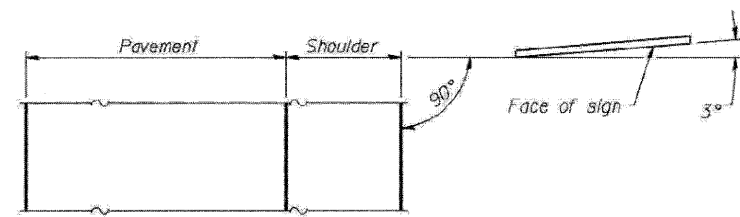
STATE OF ILLINOIS  
DEPARTMENT OF TRANSPORTATION

ROUTE NO.	SECTION	COUNTY	DISTRICT	SHEET NO.
FED. ROAD DIST. NO.	ILLINOIS	FED. AID PROJECT		SHEETS

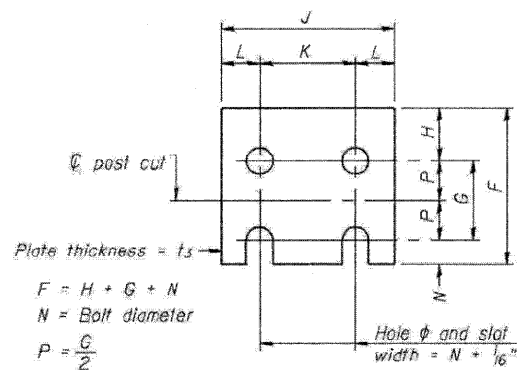
Contract #



ELEVATION



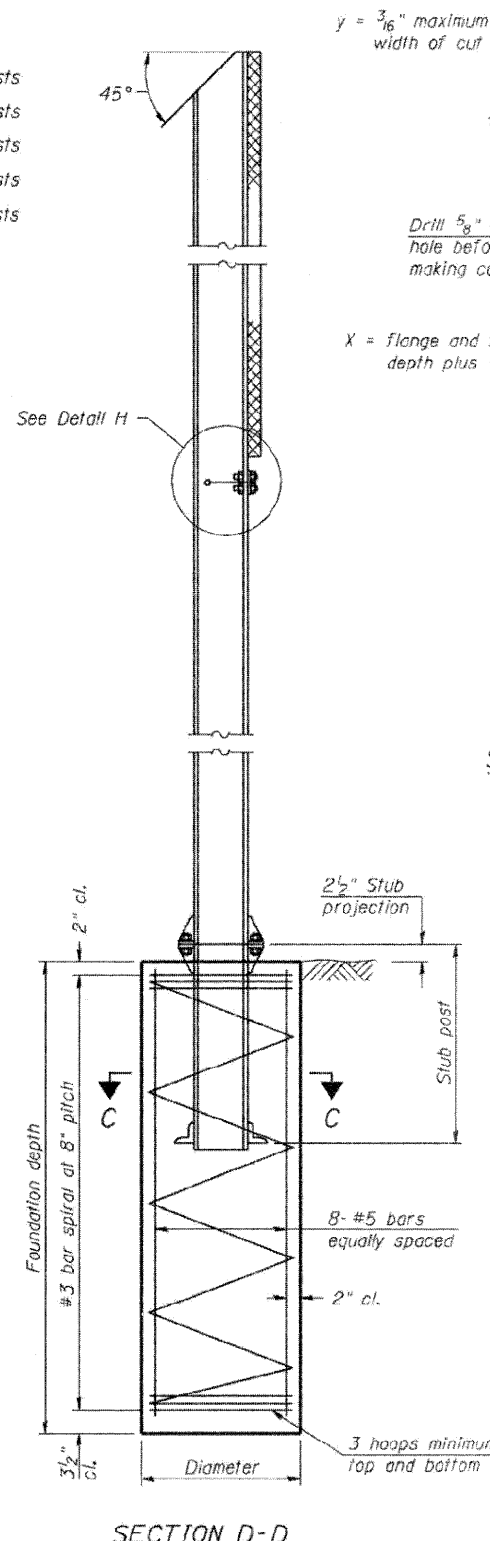
LOCATION SKETCH



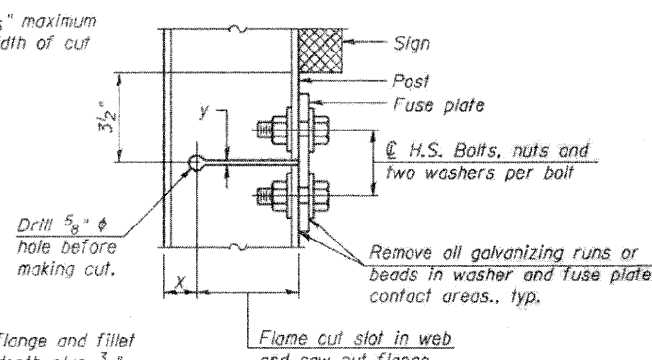
FUSE PLATE DETAIL

(Install with notches down.)

N = Bolt Diameter	G	H
1/2"	2"	1 9/8"
5/8"	2 1/4"	1 1/4"
3/4"	2 1/2"	1 3/8"
7/8"	2 3/4"	1 1/2"
1"	3"	1 5/8"
1 1/8"	3 1/4"	1 3/4"
1 1/4"	3 1/2"	1 7/8"

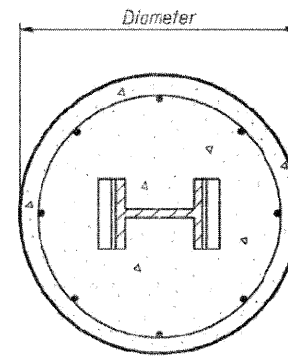


SECTION D-D

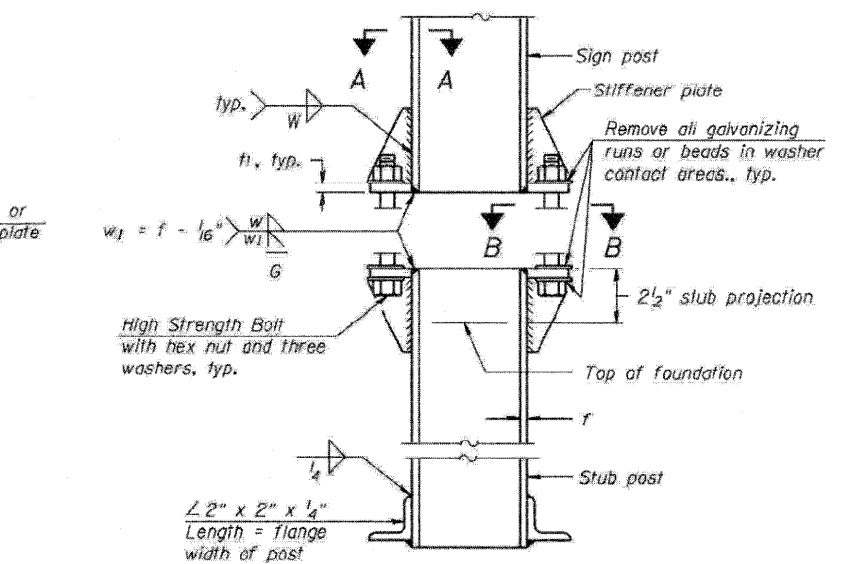


DETAIL H

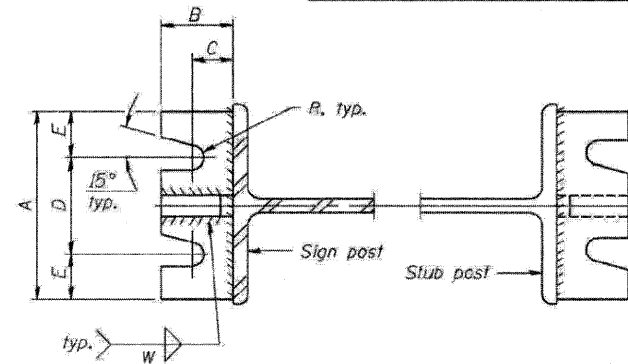
STIFFENER PLATE DETAIL  
(See table for dimensions.)



SECTION C-C

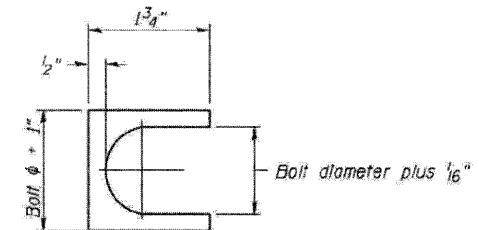


ELEVATION  
SIGN POST & STUB POST



SECTION A-A

SECTION B-B



SHIM DETAIL

Furnish two 0.01" thick and two 0.03" thick stainless steel or brass (ASTM B36) shims per post.

GENERAL NOTES

Posts shall be plumbed by using shims with post-to-stub post connection bolts snug tight only. Final tightening of all High Strength Bolts shall be in accordance with Article 727.05 and threads at the junction of the bolt and nut shall be burred or center punched to prevent the nut from loosening.

LOADING: 80 m.p.h. wind with 30% gust factor, normal to sign.

DESIGN STRESSES:  
Structural steel - 20,000 p.s.i.  
Reinforcing steel - 20,000 p.s.i.  
Concrete - 1,400 p.s.i.  
Footing soil pressure - 2,000 p.s.f.

After fabrication, the post, fuse plate and upper 6", min. of the stub post shall be hot-dip galvanized in accordance with AASHTO M111. All bolts, nuts and washers shall be hot-dip galvanized in accordance with AASHTO M232.

Work this sheet with Base Sheet BAW-A-2.

BREAK-AWAY WIDE FLANGE  
STEEL SIGN POST DETAILS

DESIGNED -	200
CHECKED -	EXAMINED
DRAWN -	PASSED
CHECKED -	

NUMBER	REVISION	DATE

PARSONS  
BRINCKERHOFF  
280 West Monroe St., Suite 900  
Chicago, IL 60606, (312) 783-8160

USER NAME = MMS	DESIGNED - MMS	REVISED -
PLOT SCALE = 50.00 / IN.	DRAWN - MMS	REVISED -
PLOT DATE = 9/28/11	CHECKED - RMH	REVISED -
	DATE - 12/02/2011	REVISED -

STATE OF ILLINOIS  
DEPARTMENT OF TRANSPORTATION

BREAK-AWAY WIDE FLANGE  
STEEL SIGN POST DETAILS

SCALE: NONE SHEET NO. 1 OF 2 SHEETS STA. TO STA.

F.A. RTE. 301	SECTION 177-2-1	COUNTY STEPHENSON	TOTAL SHEETS 211	SHEET NO. 93A
FINAL SUBMITTAL			CONTRACT NO. 64860	
ILLINOIS FED. AID PROJECT P-92-014-03				

(Sheet 1 of 2)