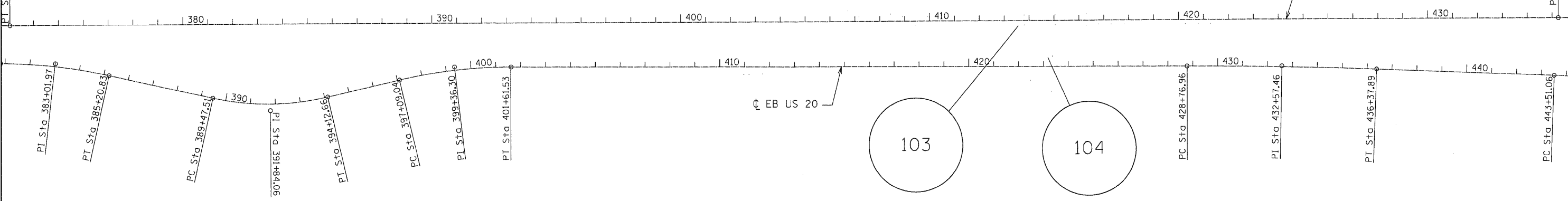


BENCH MARKS							
POINT	NORTH	EAST	ELEVATION	CHAIN	STATION	OFFSET	DESCRIPTION
405	2111355.4480	2202339.2170	821.8580	WBUS20	414+09.19	72.0995' LT	CHISELED SQUARE IN N HEADWALL
483	2111307.0110	2202430.0210	841.8030	WBUS20	414+99.72	23.1604' LT	PLUG IN NE PARAPET WB STRUCTURE



Chain EBUS20 contains:

A41 CUR 210 CUR 220 CUR 230 CUR 240 CUR 250 CUR 260A CUR 260B
 CUR 270 CUR 280 CUR 290 CUR 300 CUR 310 CUR 1210 CUR 1220 CUR 320
 CUR 330 CUR 340 CUR 350 CUR 360 CUR 370 CUR 380 CUR 390 CUR 1200
 CUR 1350

Curve Data

Curve 340
 P.I. Station 399+36.30 N 2,111,097.0272 E 2,200,022.1616
 Delta = 13° 15' 14.25" (RT)
 Degree = 2° 55' 44.93"
 Tangent = 227.2569'
 Length = 452.4851'
 Radius = 1,956.0562'
 External = 13.1572'
 Long Chord = 451.4769'
 Mid. Ord. = 13.0693'
 P.C. Station 397+09.04 N 2,111,044.4746 E 2,199,801.0646
 P.T. Station 401+61.53 N 2,111,097.4895 E 2,200,249.4180
 C.C. N 2,109,141.4374 E 2,200,253.3977

Course from PT 340 to PC 350 N 89° 53' 00.34" E Dist 2,715.4254'

Curve Data

Curve 350
 P.I. Station 432+57.46 N 2,111,103.7884 E 2,203,345.3454
 Delta = 2° 01' 31.21" (RT)
 Degree = 0° 15' 58.19"
 Tangent = 380.5084'
 Length = 760.9375'
 Radius = 21,526.5616'
 External = 3.3627'
 Long Chord = 760.8979'
 Mid. Ord. = 3.3622'
 P.C. Station 428+76.96 N 2,111,103.0142 E 2,202,964.8378
 P.T. Station 436+37.89 N 2,111,091.1144 E 2,203,725.6426
 C.C. N 2,089,576.4972 E 2,203,008.6346

Course from PT 350 to PC 360 S 88° 05' 28.45" E Dist 713.1664'

Chain WBUS20 contains:

A40 CUR 200 CUR 1230 CUR 1240 CUR 1250 CUR 1260 CUR 1270 CUR 1280
 CUR 1290 CUR 1300 CUR 1310 CUR 1320 CUR 1330 CUR 1340 CUR A025340
 CUR A025330 CUR A025320 CUR A025310

Curve Data

Curve 1300
 P.I. Station 368+05.25 N 2,111,257.8054 E 2,197,726.8116
 Delta = 18° 34' 26.52" (LT)
 Degree = 1° 50' 18.91"
 Tangent = 509.5876'
 Length = 1,010.2341'
 Radius = 3,116.2938'
 External = 41.3899'
 Long Chord = 1,005.8162'
 Mid. Ord. = 40.8474'
 P.C. Station 362+95.66 N 2,111,417.4468 E 2,197,242.8755
 P.T. Station 373+05.90 N 2,111,260.6273 E 2,198,236.3914
 C.C. N 2,114,376.8732 E 2,198,219.1346

Course from PT 1300 to PC 1310 N 89° 40' 57.78" E Dist 6,218.9396'

Curve Data

Curve 1310
 P.I. Station 444+09.77 N 2,111,299.9657 E 2,205,340.1569
 Delta = 42° 23' 39.03" (RT)
 Degree = 2° 30' 39.40"
 Tangent = 884.9348'
 Length = 1,688.3759'
 Radius = 2,281.8422'
 External = 165.5878'
 Long Chord = 1,650.1241'
 Mid. Ord. = 154.3845'
 P.C. Station 435+24.84 N 2,111,295.0653 E 2,204,455.2357
 P.T. Station 452+13.21 N 2,110,706.9468 E 2,205,996.9964
 C.C. N 2,109,013.2581 E 2,204,467.8716

Course from PT 1310 to PC 1320 S 47° 55' 23.19" E Dist 406.1536'

CURVE POINT NUMBERS					
CHAIN	CURVE	PI	CC	PC	PT
EBUS20	340	340	341	342	343
EBUS20	350	350	351	352	353
WBUS20	1300	1300	1301	1302	1303
WBUS20	1310	1310	1311	1312	1313

NOTE: SURVEY DATA PROVIDED BY THE ILLINOIS DEPARTMENT OF TRANSPORTATION.