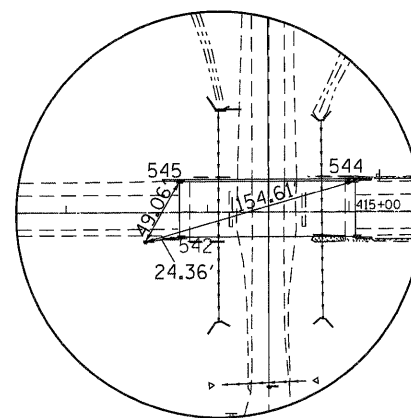
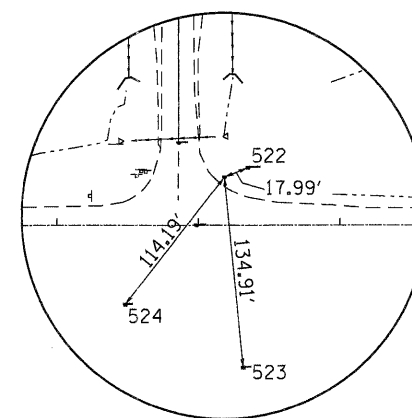


SURVEY WORK POINTS							
POINT	NORTH	EAST	ELEVATION	CHAIN	STATION	OFFSET	DESCRIPTION
103	2111262.1510	2202286.4200	840.2167	WBUS20	413+55.87	20.9037' RT	PIN, SET PIN FOR CONTROL
104	2111135.8610	2202406.2420	822.7190	EBUS20	423+18.43	33.9832' LT	PIN, SET PIN FOR CONTROL
105	2111575.6850	2202347.4370	824.7098	WBUS20	414+18.63	292.2876' LT	PIN, SET PIN FOR CONTROL

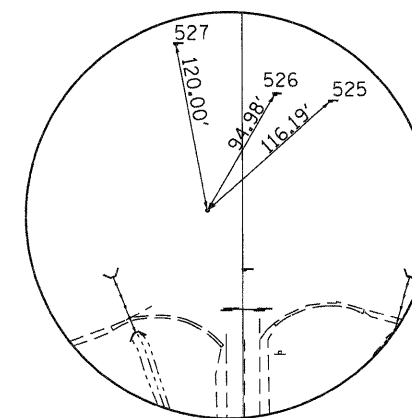
REFERENCE TIES				
POINT	CHAIN	STATION	OFFSET	DESCRIPTION
522	EBUS20	423+35.07	40.8212' LT	SHINER, SIGN POLE
523	EBUS20	423+31.62	100.278' RT	SHINER, POWER POLE
524	EBUS20	422+48.13	55.9974' RT	SHINER, FENCE POST
525	WBUS20	415+05.94	368.944' LT	SHINER, POWER POLE
526	WBUS20	414+66.64	374.2323' LT	SHINER, SIGN POLE
527	WBUS20	413+96.83	410.2874' LT	SHINER, POWER POLE
542	WBUS20	413+79.99	17.4451' RT	CORNER, BRIDGE DECK
543	WBUS20	415+04.55	17.2651' RT	CORNER, BRIDGE DECK
544	WBUS20	415+04.44	21.8907' LT	CORNER, BRIDGE DECK
545	WBUS20	413+80.08	21.768' LT	CORNER, BRIDGE DECK



HORIZONTAL CONTROL POINT NO. 103



HORIZONTAL CONTROL POINT NO. 104



HORIZONTAL CONTROL POINT NO. 105

NOTE: SURVEY DATA PROVIDED BY THE ILLINOIS DEPARTMENT OF TRANSPORTATION.